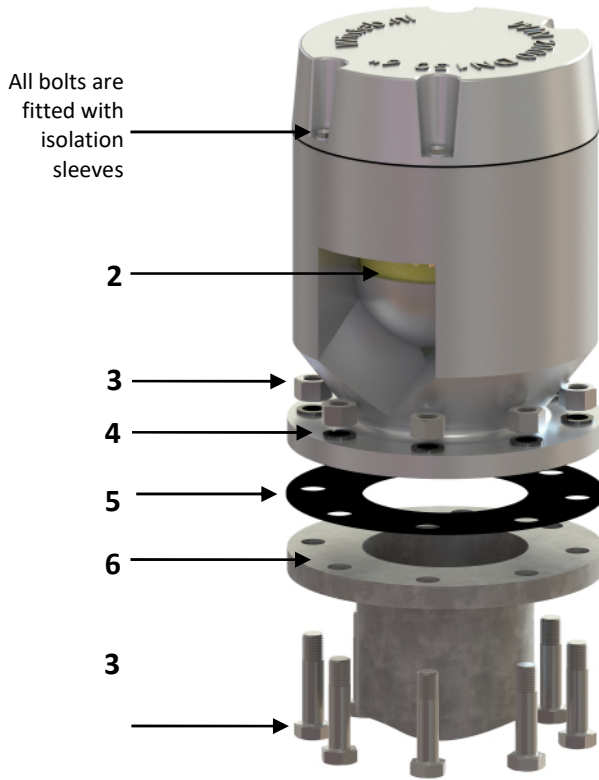


Fitting Instructions

WIN2000 HIAS & WIKO5000 air pipe heads (all types and sizes)

The air pipe head characteristic curves of Winteb are to be taken into consideration.



1. Do not paint screen (if fitted)
Check classification rules if a screen is needed when the air pipe head is fitted on a ballast tank. If not, remove the screen when the air pipe head is fitted on ballast tanks

2. Remove ball protection cover after painting, do not paint the float ball.

3. Use galvanised or stainless steel bolts and nuts (available at WINTEB).

4. Use isolation sleeves (supplied by WINTEB – attached to flange).

5. Use full size gasket (supplied by WINTEB – attached to flange).

6. Use flat face counter flanges (available at WINTEB).

7. Use threaded air pipe heads only on aluminium pipes.
If you have any questions please contact us.

8. Hand tighten the flange bolts,
See torque values →

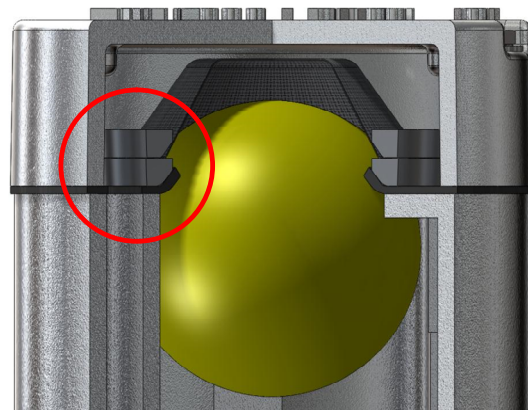
M16	60-70 Nm
M20	60-70 Nm
M24	70-80 Nm

If you have any questions please contact us.

Check cover gasket and aluminium sealing ring

Check whether newly supplied Aluminium Ring is fitted properly on top of newly supplied NBR cover gasket. Make sure it is the right way up! See picture.

Please note that the chamfered side of the aluminium ring has to be on the bottom, so that the new cover gasket will seal off properly as ball sealing.



- This information is not to be considered exhaustive. The content of this publication is of general and informative nature and is not meant as (technical) advice for product or usage purposes. No rights are to be derived from this information.

Made of seawater resistant Aluminium DIN1725 | Non corroding | Maintenance free | Smallest design available
No suction blocking | Cost saving | light weight = less fuel = less CO2 emission | Approved by all major classification societies

Maintenance & Inspection Advice

WIN2000 HIAS & WIKO5000 air pipe heads (all types and sizes)

The air pipe head characteristic curves of Winteb are to be taken into consideration.

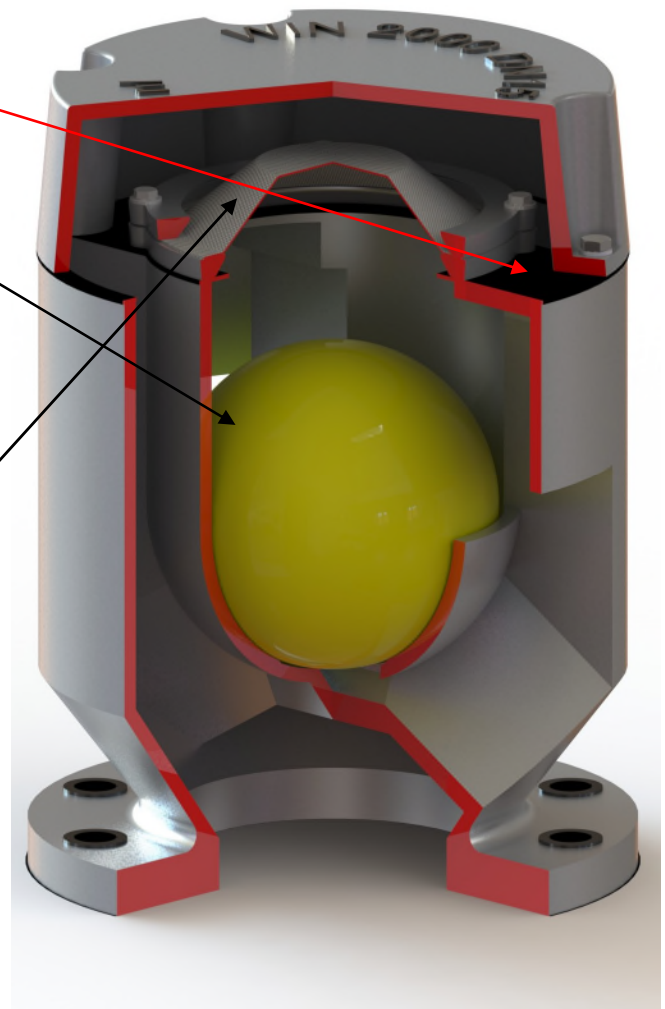
Winteb's WIN2000 self-closing air pipe heads are maintenance free.

However surveyors of the classification societies, like ABS, BV, DNV, GL, LRS, NKK, RMRS, Transport Canada or USCG will inspect the self-closing devices on a regular basis. For example when a ship is in a harbour or at dock.

It is advised to inspect the valves regularly to detect any possible damages that might compromise the venting and/or closing function of the valve.

Inspection Procedure:

1. Check if the rubber cover/sealing gasket is fitted
2. Check if the floatball can freely move in a vertical direction;
 - Downwards to rest in its seating
 - Upwards to contact the rubber sealing gasket and therefore closing off the connection to the tank.
3. Check if the floatball has a ball shape and a smooth surface in order to secure a proper anti leakage function when pressed against the sealing ring.
4. Visual check if there is any damage (holes, cracks) to the air pipe head.
5. If fitted, check if the screen is not damaged and free of any pollution that might block a free flow through the valve.
6. Check if the air pipe head is fitted according to Winteb's "Fitting Instructions".
7. The air pipe head characteristic (flow)curves of Winteb have to be take into consideration. The flowcurves are available at Winteb or at www.winteb.com



- This information is not to be considered exhaustive. The content of this publication is of general and informative nature and is not meant as (technical) advice for product or usage purposes. No rights are to be derived from this information.

Investing in Winteb Air Pipe Heads is beneficial in the long term, saving maintenance, replacement and costs.
For more information and a complete overview of our product range, please check www.winteb.com