

APPLICATION:

For automatic or continuous required cleaning of glass plates in sight glass fittings; suitable for pressure or vacuum vessels requiring inspection in explosion- and non-explosion-hazardous locations.

INSTALLATION INSTRUCTIONS:

Screwed into the base flange with pressure-tight screw connections and intermediate direction. In the cover flange a through hole must be provided.

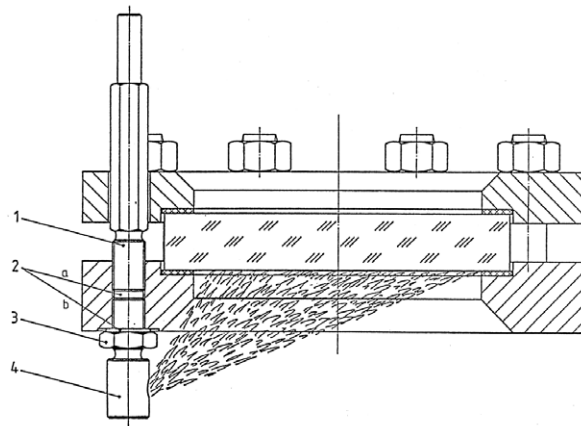
For round sight glass fittings

Operating conditions:

Temperature:	According to the design of the sight glass fitting.
Pressure:	

Parts and materials:

1	Connection piece	1.4571
2	Gaskets	PTFE
3	Lock nut	A4
4	Spray head	1.4571



POSSIBLE COMBINATIONS:

It is possible to combine the spraying device with lights and wipers at the same time. The maximum permissible temperatures and the thermal shock resistance of the sight glass plate must be observed!

ORDERING SPECIFICATIONS!

If a sight glass plate should be supplied, the following information is necessary:

- Sightglass fitting (DN/PN), materials
- Type of sight glass plate (borosilicate glass / soda lime glass) and dimensions