

Diaphragm Seal - Type 7390 - for homogenizing systems - Hygienic Process Conditions



EXAMPLE OF OPERATION:
with attachment block flange

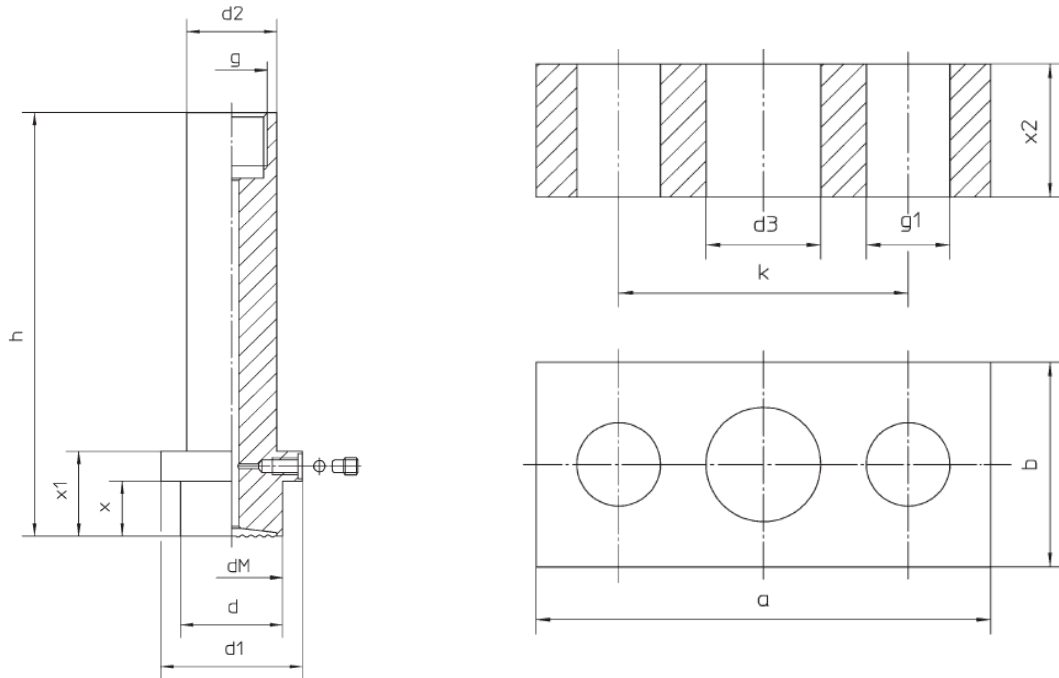
- FLUSH WELDED DIAPHRAGM OF STAINLESS STEEL 1.4435 (316L)
- CONNECTION WITH OR WITHOUT ATTACHEMENT BLOCK FLANGE
- HIGH PRESSURE MEASURING OF HIGHLY VISCOUS MEDIA IN HOMOGENIZING SYSTEMS
- SEVERAL DIMENSINONS AVAILABLE
- MOUNTING TO MANOMETER AND PRESSURE TRANSMITTER

TECHNICAL DATA

General information	
Process connection	Connection for homogenizing systems \varnothing 23,8 – immersion length 13 mm Type MDM 7390
Basic body	stainless steel 1.4571
Separating diaphragm	stainless steel 1.4435 (316L) , other materials on request
Nominal pressure	PN 600 (PN 1000 on request)
Minimum pressure range	0/10 bar to 0/1000 bar, see tables
Instrument connection	standard: G $\frac{3}{8}$ female (3/8" BSP female)
Filling liquid	standard: Glycerine, others filling liquid on request
Reference temperature	+ 20 °C (+68 °F)
Accessories (please specify by ordering)	attachment block flange of 1.4301, 95 x 43 x 28 mm 2 holes \varnothing 17,5 mm, distance 60,5 mm other dimensions on request
Options	
Separating diaphragm	stainless steel 1.4435 (316L), electropolished
Installation	- via cooling element - via capillary line (with upper part welded)
Certificates	material certificate 3.1, EN 10204 for medium contacted parts

DIMENSIONAL DRAWINGS

Diaphragm Seals Type 7390 with block flange:



Dimensions (mm/inches) and Weight (kg/lb):

Model	a	b	d	d1	d2	d3	dM	g	g1	h	k	x	x1	x2	Weight (approx.) Diaphragm seal	Weight (approx.) Attachment flange (on request)
MDM 7390	95	43	23.8	33	21	24	21	G 3/8	∅ 17,5	100	60,5	13	20	28	0,290	0,710
	3.74	1.69	.94	1.3	.83	.94	.83	3/8" BSP	.69	3.94	2.38	.51	.79	1.10	.64	1.57

Our products are constantly in further development, therefore subjects to modifications.