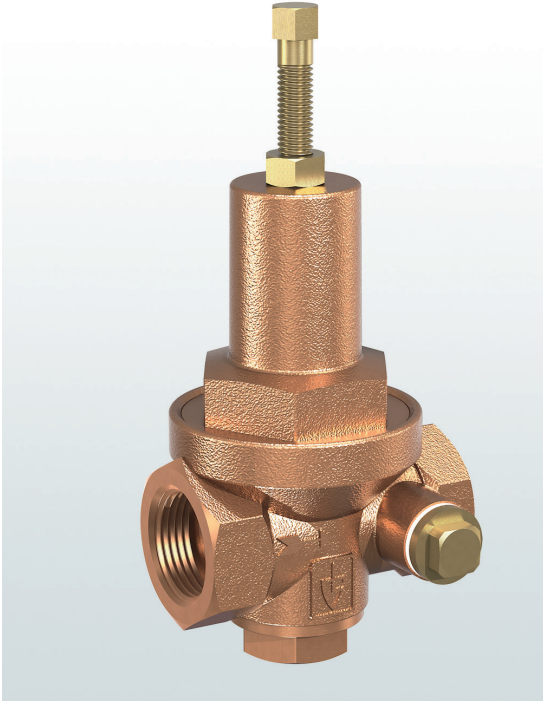


→ Series 683



■ SUITABLE FOR

Air, gases and vapours neutral



■ EXAMPLES OF USE

For the protection of:

- commercial and industrial plants
against too high supply pressure.
Pressure reducers are used, if within a piping system despite of varying pressures on the inlet side a certain pressure must not be exceeded on the outlet side.

- compressed air supply plants
- pneumatic control units
- pressure booster plants air-side
- shipbuilding industry and offshore plants



■ MATERIAL



■ SPECIFICATION



3/8" – 1 1/4"



– 10°C to + 95°C



Inlet pressure:
up to 50 bar
Outlet pressure:
1,5 to 10 bar
depending on version

■ APPROVALS

European Pressure Equipment Directive

TR ZU 032/2013 - TR ZU 010/2011

Requirements

PED 2014/68/EU

UK PESR 2016 No. 1105

Classification society

| | |
|---------------------------------------|---------|
| DNV | DNV |
| Lloyd's Register EMEA | LR EMEA |
| American Bureau of Shipping | ABS |
| Bureau Veritas | BV |
| Russian Maritime Register of Shipping | RS |
| Registro Italiano Navale | RINA |

■ MATERIALS

| Component | Material | DIN EN | ASME |
|----------------|--------------|--------|-----------|
| Inlet body | Gunmetal | CC499K | CC499K |
| Outlet body | Gunmetal | CC499K | CC499K |
| Internal parts | Brass | CW617N | CW617N |
| Spring | Spring steel | 1.1200 | ASTM A228 |

| | | |
|----------|----------------|--|
| m | with diaphragm | High-quality, heat-resistant moulded elastomere, fabric-reinforced diaphragm. Pressure adjustment by means of spindle. Version completely made of metal. Balanced single seat valve, body with G 1/4" connection for pressure gauge on both sides. |
|----------|----------------|--|

■ MEDIUM

| | | |
|----------|---------|----------------------------------|
| G | gaseous | Compressed air and neutral gases |
|----------|---------|----------------------------------|

■ TYPE OF LIFTING MECHANISM

| | |
|----------|------------------------|
| 0 | without lifting device |
|----------|------------------------|

■ OUTLET PRESSURE RANGES

| | | | |
|-----------|------------------|---|-------------------------------------|
| SP | Standard version | Inlet pressure: up to 50 bar (size 1 1/4" up to 30 bar) Largest reduction ratio 10:1 | Outlet pressure: from 1,5 to 10 bar |
|-----------|------------------|---|-------------------------------------|

Fixed setting at a required outlet pressure against surcharge.

■ AVAILABLE NOMINAL DIAMETERS AND CONNECTION SIZES

| Nominal diameter DN | 10 | 15 | 20 | 25 | 32 |
|--------------------------|-----------|-----------|-----------|---------|-------------|
| Inlet female connection | 3/8" (10) | 1/2" (15) | 3/4" (20) | 1" (25) | 1 1/4" (32) |
| Outlet female connection | 3/8" (10) | 1/2" (15) | 3/4" (20) | 1" (25) | 1 1/4" (32) |

■ TYPE OF CONNECTION INLET / OUTLET THREADED CONNECTIONS

| | | | |
|--------------|----------|---|-------------------------------------|
| f / f | Standard | Female thread BSP-P / Female thread BSP-P | DIN EN ISO 228-1 / DIN EN ISO 228-1 |
|--------------|----------|---|-------------------------------------|

■ SEALS

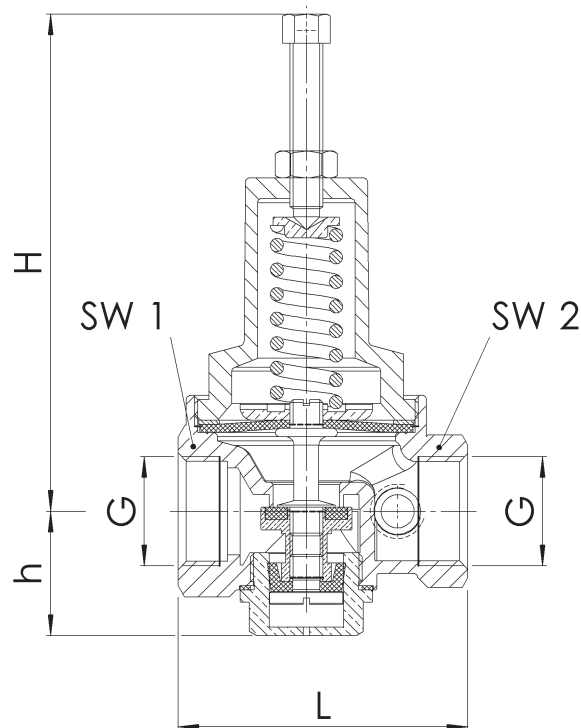
| | | | |
|------------|----------------|---------------------------------|----------------|
| NBR | Nitrile rubber | Elastomere diaphragms and seals | -10°C to +95°C |
|------------|----------------|---------------------------------|----------------|

■ NOMINAL DIAMETERS, CONNECTIONS, INSTALLATION DIMENSIONS

| Series 683: Connection, installation dimensions, ranges of adjustment | | | | | | |
|---|-----|-----------|-----------|-----------|---------|-------------|
| Nominal diameter | DN | 10 | 15 | 20 | 25 | 32 |
| Connection DIN EN ISO 228 | G | 3/8" (10) | 1/2" (15) | 3/4" (20) | 1" (25) | 1 1/4" (32) |
| Inlet pressure to | bar | 50 | 50 | 50 | 50 | 30 |
| Outlet pressure ¹ | bar | 1,5-10 | 1,5-10 | 1,5-10 | 1,5-10 | 1,5-10 |
| Installation dimensions in mm | L | 73 | 73 | 70 | 87 | 100 |
| | H | 100 | 100 | 120 | 165 | 175 |
| | h | 22 | 22 | 30 | 35 | 43 |
| | SW1 | 27 | 27 | 36 | 44 | 54 |
| | SW2 | 27 | 27 | 32 | 40 | 49 |
| Weight | kg | 0,5 | 0,5 | 0,8 | 1,4 | 2,0 |

¹Largest reduction ratio 10:1

■ MAIN DIMENSIONS, INSTALLATION DIMENSIONS



Series 683 ■ INDIVIDUAL SELECTION / VALVE CONFIGURATION

| Series | Valve version | Medium | Lifting device | Outlet pressure | Nominal diameter DN | Connection type | | Connection size | | Seal | Options | Optional: fixed setting | Quantity |
|--------|---------------|--------|----------------|-----------------|---------------------|-----------------|--------|-----------------|--------|------|---------|-------------------------|----------|
| | | | | | | Inlet | Outlet | Inlet | Outlet | | | | |
| 683 | m | G | 0 | SP | 20 | f | f | 20 | 20 | NBR | S15 | | 5 |
| 683 | m | G | 0 | SP | 32 | f | f | 32 | 32 | NBR | | 4,0 | 1 |
| 683 | m | G | 0 | SP | | f | f | | | NBR | | | |
| 683 | m | G | 0 | SP | | f | f | | | NBR | | | |

■ OPTIONS

| | | | | | |
|------------|--|--------------------------|------------|-----------------------------------|--------------------------|
| GOX | Especially for gaseous O2 applications by employment of specific materials including oil- and grease free production process | <input type="checkbox"/> | P03 | Galvanically nickel-plated finish | <input type="checkbox"/> |
| P01 | Oil- and grease-free production | <input type="checkbox"/> | FE | Setting and sealing | <input type="checkbox"/> |
| P02 | Chemically nickel-plated finish | <input type="checkbox"/> | | | <input type="checkbox"/> |

■ CERTIFICATES / APPROVALS

| | | | | | |
|------------|---|--------------------------|------------|--|--------------------------|
| C01 | Factory certificate acc. DIN EN 10204 2.2 (WKZ 2.2) | <input type="checkbox"/> | C06 | ATEX evaluation acc. to 2014/34/EU | <input type="checkbox"/> |
| C02 | Test certificate acc. DIN EN 10204 3.1 (WPZ 3.1) | <input type="checkbox"/> | C10 | Certificate of oil- and grease free production | <input type="checkbox"/> |
| C03 | Material test certificate acc. DIN EN 10204 3.1 (MPZ 3.1) (pressure retaining part) | <input type="checkbox"/> | | | <input type="checkbox"/> |
| C04 | TÜV/DEKRA individual inspection acc. EN 10204 3.2 (TÜV/DEKRA-APZ) | <input type="checkbox"/> | | | <input type="checkbox"/> |

■ ADMISSIONS / ACCREDITATIONS

| | | | | | |
|------------|--|-------------------------------------|------------|--|--------------------------|
| AA1 | EC Type examination acc. to Directive 2014/68/EU | <input checked="" type="checkbox"/> | AK1 | Type approval Det Norske Veritas (DNV) | <input type="checkbox"/> |
| AA4 | EAC - certificate/declaration with passport for the valve and laser marking of the valve | <input type="checkbox"/> | AK2 | Lloyd's Register (LR) type approval | <input type="checkbox"/> |
| | | <input type="checkbox"/> | AK3 | American Bureau of Shipping (ABS) type approval | <input type="checkbox"/> |
| | | <input type="checkbox"/> | AK4 | Bureau Veritas (BV) type approval | <input type="checkbox"/> |
| | | <input type="checkbox"/> | AK5 | Russian Maritime Register of Shipping (RMRS) type approval | <input type="checkbox"/> |
| | | <input type="checkbox"/> | AK6 | Registro Italiano Navale (RINA) type approval | <input type="checkbox"/> |
| | | <input type="checkbox"/> | AL | Individual inspection by notified body inspector – (body to be indicated): | <input type="checkbox"/> |

■ ENQUIRY

Copy and send to: order@goetze-armaturen.de.

Determination of the size and capacity

