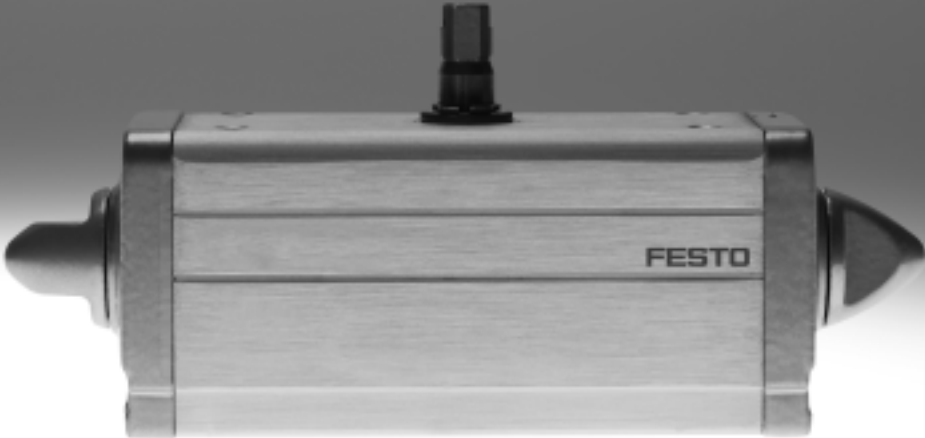


Quarter turn actuators DAPS

FESTO



Quarter turn actuators DAPS


Key features


FESTO


General

→ page 11, 26

DAPS

 Size
0008 ... 8000

 Torque
8 ... 8,000 Nm

 Swivel angle
0 ... 90°

The quarter turn actuators DAPS are specially tailored to the requirements of the process industry. The torque is generated via a scotch yoke mechanism, which helps to overcome the valve's high breakaway torques. Given their robustness and graduated torques, the quarter turn actuators DAPS are predominantly used to control valves through which various media flow and whose angle of rotation is limited to 90°, e.g. ball valves and butterfly valves.

- Compact design
- Torque characteristics adapted to the process valves
- For the same housing size, the single-acting drive has half the torque of the double-acting drive
- Low wearing thanks to the simple and robust mechanical system
- Adjustable swivel angle
- Selected types in accordance with ATEX directive for potentially explosive atmospheres
→ www.festo.com/en/ex


- Port pattern to NAMUR VDI/VDE 3845 for attaching solenoid valves





High-temperature version


→ page 11, 26

DAPS T4

 Size
0015 ... 0960

 Torque
15 ... 960 Nm

 Swivel angle
0 ... 90°

 Temperature range
-20 ... +150 °C

The high temperature version of the quarter turn actuator DAPS-T4 is specifically designed for the requirements for controlling process valves used with hot media flows.


- Compact design
- Torque characteristics adapted to process valves
- The single-acting drive has half the torque of the double-acting drive for the same housing size
- Low wear thanks to the simple and robust mechanical system
- Adjustable swivel angle


- Selected types in accordance with ATEX directive for potentially explosive atmospheres
→ www.festo.com/en/ex
- Port pattern to NAMUR VDI/VDE 3845 for attaching solenoid valves


Stainless steel variant

→ page 43

DAPS CR

 Size
0015 ... 0480

 Torque
15 ... 480 Nm

 Swivel angle
0 ... 90°

Single-acting and double-acting quarter turn actuators DAPS in stainless steel are used for automating fittings with a 90° swivel angle. The single-acting variant comes in different spring strengths for different supply pressures.

- Low wearing thanks to the simple and robust mechanical system
- Torque characteristics adapted to the process valves
- Selected types in accordance with ATEX directive for potentially explosive atmospheres
→ www.festo.com/en/ex

- Port pattern to NAMUR VDI/VDE 3845 for attaching solenoid valves





Variant with handwheel

→ page 56

DAPS MW

 Size
0106 ... 1920

 Torque
106 ... 1920 Nm

 Swivel angle
0 ... 90°

The position of the process valve or actuator can be manually adjusted using the handwheel when the supply pressure is switched off. The handwheel therefore acts as a manual emergency override.

- Low wearing thanks to the simple and robust mechanical system
- Torque characteristics adapted to the process valves
- Selected types in accordance with ATEX directive for potentially explosive atmospheres
→ www.festo.com/en/ex

- Port pattern to NAMUR VDI/VDE 3845 for attaching solenoid valves



Quarter turn actuators DAPS, double-acting

Product range overview

| Flange hole pattern – Connection dimensions to DIN ISO 5211 and NAMUR VDI/VDE 3845 | | | | | | | | | | |
|--|-----|-----|-----|-----|-----|-----|-----|-----|-----|--------------|
| Connection | F03 | F03 | F04 | F04 | F05 | F05 | F05 | F07 | F07 | Shaft height |
| Square | V11 | V11 | V11 | V14 | V11 | V14 | V17 | V14 | V17 | |
| DAPS-0008-...-F03 | ■ | - | - | - | - | - | - | - | - | 20 |
| DAPS-0015-...-F03 | - | ■ | - | - | - | - | - | - | - | 20 |
| DAPS-0015-...-F04 | - | - | ■ | - | - | - | - | - | - | 20 |
| DAPS-0030-...-F0305 | - | ■ | - | - | ■ | - | - | - | - | 20 |
| DAPS-0030-...-F04 | - | - | ■ | - | - | - | - | - | - | 20 |
| DAPS-0060-...-F04 | - | - | - | ■ | - | - | - | - | - | 20 |
| DAPS-0060-...-F0507 | - | - | - | - | - | ■ | - | ■ | - | 20 |
| DAPS-0106-...-F0507 | - | - | - | - | - | - | ■ | - | ■ | 20 |
| Hole pattern for NAMUR accessories | 30 | 30 | 30 | 30 | 30 | 30 | 30 | 30 | 30 | |
| | 30 | 80 | 80 | 80 | 80 | 80 | 80 | 80 | 80 | |

| Flange hole pattern – Connection dimensions to DIN ISO 5211 and NAMUR VDI/VDE 3845 | | | | | | | | | | | | | |
|--|-----|-----|-----|-----|-----|-----|-----|-----|-----|-----|-----|-----|--------------|
| Connection | F07 | F10 | F10 | F12 | F10 | F12 | F12 | F14 | F14 | F16 | F16 | F25 | Shaft height |
| Square | V22 | V22 | V27 | V27 | V36 | V36 | V46 | V36 | V46 | V46 | V46 | V55 | |
| DAPS-0180-...-F0710 | ■ | ■ | - | - | - | - | - | - | - | - | - | - | 30 |
| DAPS-0240-...-F0710 | ■ | ■ | - | - | - | - | - | - | - | - | - | - | 30 |
| DAPS-0360-...-F0710 | ■ | ■ | - | - | - | - | - | - | - | - | - | - | 30 |
| DAPS-0480-...-F1012 | - | - | ■ | ■ | - | - | - | - | - | - | - | - | 30 |
| DAPS-0720-...-F1012 | - | - | ■ | ■ | - | - | - | - | - | - | - | - | 30 |
| DAPS-0960-...-F1012 | - | - | - | - | ■ | ■ | - | - | - | - | - | - | 30 |
| DAPS-0960-...-F12 | - | - | - | - | - | ■ | - | - | - | - | - | - | 30 |
| DAPS-0960-...-F14 | - | - | - | - | - | - | - | ■ | - | - | - | - | 30 |
| DAPS-1440-...-F12 | - | - | - | - | - | ■ | - | - | - | - | - | - | 30 |
| DAPS-1440-...-F14 | - | - | - | - | - | - | - | ■ | - | - | - | - | 30 |
| DAPS-1920-...-F14 | - | - | - | - | - | - | - | - | ■ | - | - | - | 30 |
| DAPS-1920-...-F1216 | - | - | - | - | - | - | ■ | - | - | ■ | - | - | 30 |
| DAPS-2880-...-F16 | - | - | - | - | - | - | - | - | - | - | ■ | - | 30 |
| DAPS-3840-...-F16 | - | - | - | - | - | - | - | - | - | - | ■ | - | 30 |
| DAPS-5760-...-F25 | - | - | - | - | - | - | - | - | - | - | - | ■ | 30 |
| DAPS-8000-...-R-F25 | - | - | - | - | - | - | - | - | - | - | - | ■ | 30 |
| Hole pattern for NAMUR accessories | 30 | 30 | 30 | 30 | 30 | 30 | 30 | 30 | 30 | 30 | 30 | 30 | |
| | 80 | 80 | 80 | 80 | 80 | 80 | 80 | 80 | 80 | 80 | 130 | 130 | |

Quarter turn actuators DAPS, single-acting



Product range overview

| Flange hole pattern – Connection dimensions to DIN ISO 5211 and NAMUR VDI/VDE 3845 | | | | | | | | | |
|--|-----|-----|-----|-----|-----|-----|-----|-----|--------------|
| Connection | F03 | F04 | F04 | F05 | F05 | F05 | F07 | F07 | Shaft height |
| Square | V11 | V11 | V14 | V11 | V14 | V17 | V14 | V17 | |
| DAPS-0015-...-F0305 | ■ | - | - | ■ | - | - | - | - | 20 |
| DAPS-0015-...-F04 | - | ■ | - | - | - | - | - | - | 20 |
| DAPS-0030-...-F04 | - | - | ■ | - | - | - | - | - | 20 |
| DAPS-0030-...-F0507 | - | - | - | - | ■ | - | ■ | - | 20 |
| DAPS-0053-...-F0507 | - | - | - | - | - | ■ | - | ■ | 20 |
| Hole pattern for NAMUR accessories | 30 | 30 | 30 | 30 | 30 | 30 | 30 | 30 | |
| | 80 | 80 | 80 | 80 | 80 | 80 | 80 | 80 | |

| Flange hole pattern – Connection dimensions to DIN ISO 5211 and NAMUR VDI/VDE 3845 | | | | | | | | | | | | |
|--|-----|-----|-----|-----|-----|-----|-----|-----|-----|-----|-----|--------------|
| Connection | F07 | F10 | F10 | F12 | F10 | F12 | F12 | F14 | F14 | F16 | F16 | Shaft height |
| Square | V22 | V22 | V27 | V27 | V36 | V36 | V46 | V36 | V46 | V46 | V46 | |
| DAPS-0090-...-F0710 | ■ | ■ | - | - | - | - | - | - | - | - | - | 30 |
| DAPS-0120-...-F0710 | ■ | ■ | - | - | - | - | - | - | - | - | - | 30 |
| DAPS-0180-...-F0710 | ■ | ■ | - | - | - | - | - | - | - | - | - | 30 |
| DAPS-0240-...-F1012 | - | - | ■ | ■ | - | - | - | - | - | - | - | 30 |
| DAPS-0360-...-F1012 | - | - | ■ | ■ | - | - | - | - | - | - | - | 30 |
| DAPS-0480-...-F1012 | - | - | - | - | ■ | ■ | - | - | - | - | - | 30 |
| DAPS-0480-...-F12 | - | - | - | - | - | ■ | - | - | - | - | - | 30 |
| DAPS-0480-...-F14 | - | - | - | - | - | - | - | ■ | - | - | - | 30 |
| DAPS-0720-...-F12 | - | - | - | - | - | ■ | - | - | - | - | - | 30 |
| DAPS-0720-...-F14 | - | - | - | - | - | - | - | ■ | - | - | - | 30 |
| DAPS-0960-...-F14 | - | - | - | - | - | - | - | - | ■ | - | - | 30 |
| DAPS-0960-...-F1216 | - | - | - | - | - | - | ■ | - | - | ■ | - | 30 |
| DAPS-1440-...-F16 | - | - | - | - | - | - | - | - | - | - | ■ | 30 |
| DAPS-1920-...-F16 | - | - | - | - | - | - | - | - | - | - | ■ | 30 |
| DAPS-2880-...-F16 | - | - | - | - | - | - | - | - | - | - | ■ | 30 |
| DAPS-4000-...-RS1-F25 | - | - | - | - | - | - | - | - | - | - | ■ | 30 |
| DAPS-4000-...-RS2-F25 | - | - | - | - | - | - | - | - | - | - | ■ | 30 |
| DAPS-4000-...-RS3-F25 | - | - | - | - | - | - | - | - | - | - | ■ | 30 |
| DAPS-4000-...-RS4-F25 | - | - | - | - | - | - | - | - | - | - | ■ | 30 |
| Hole pattern for NAMUR accessories | 30 | 30 | 30 | 30 | 30 | 30 | 30 | 30 | 30 | 30 | 30 | |
| | 80 | 80 | 80 | 80 | 80 | 80 | 80 | 80 | 80 | 80 | 130 | |

Quarter turn actuators DAPS CR

Product range overview

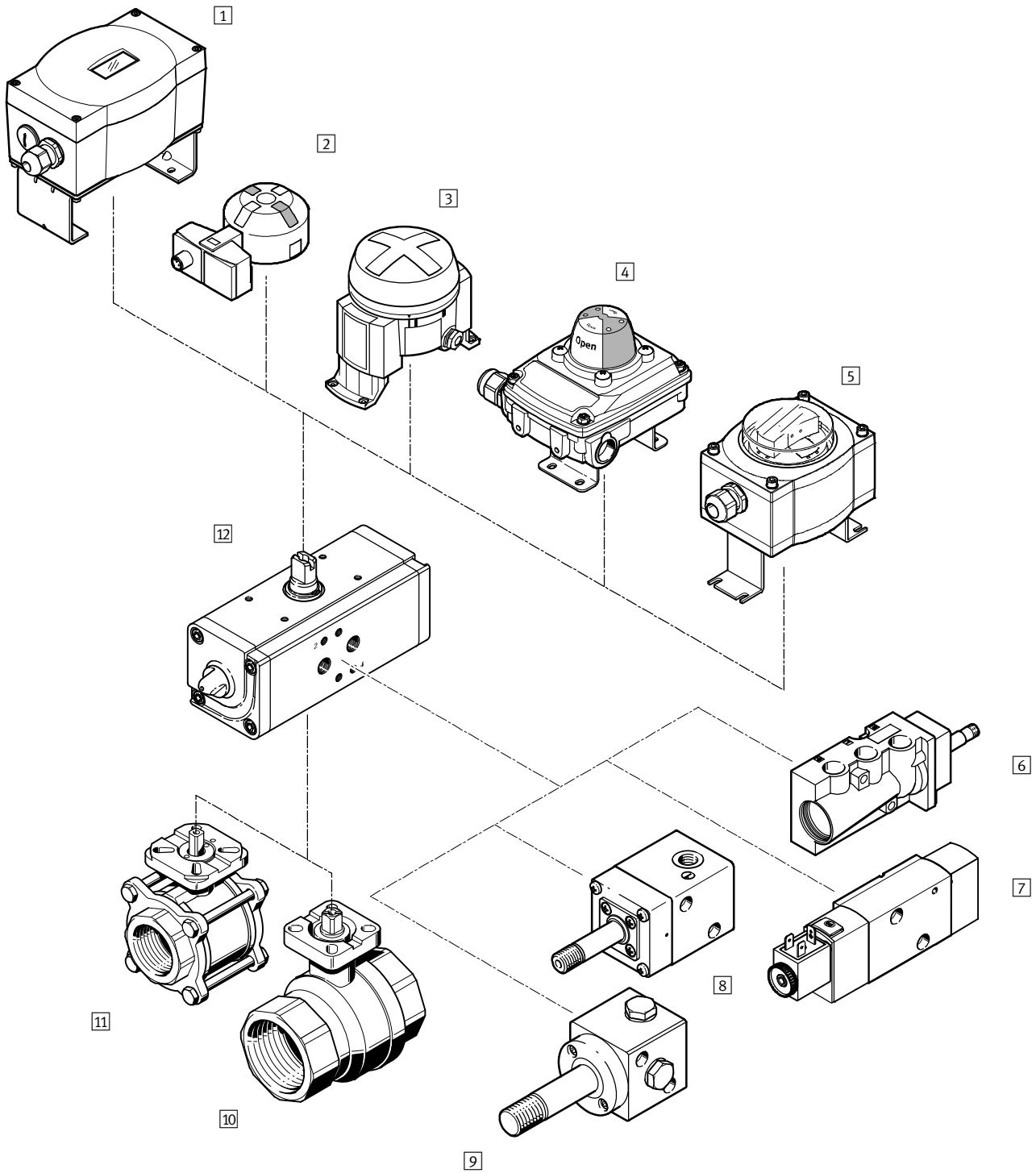
| DAPS CR, double-acting | | | | | | | | | | | |
|--|-----|-----|-----|-----|-----|-----|-----|-----|-----|-----|--------------|
| Flange hole pattern – Connection dimensions to DIN ISO 5211 and NAMUR VDI/VDE 3845 | | | | | | | | | | | |
| Connection | F03 | F03 | F05 | F05 | F05 | F07 | F07 | F07 | F10 | F10 | Shaft height |
| Square | V09 | V11 | V11 | V14 | V17 | V14 | V17 | V22 | V17 | V22 | |
| DAPS-0015-...-R-F03-CR | ■ | - | - | - | - | - | - | - | - | - | 20 mm |
| DAPS-0030-...-R-F03-CR | ■ | - | - | - | - | - | - | - | - | - | 20 mm |
| DAPS-0060-...-R-F0305-CR | - | ■ | ■ | - | - | - | - | - | - | - | 20 mm |
| DAPS-0120-...-R-F0507-CR | - | - | - | ■ | - | ■ | - | - | - | - | 30 mm |
| DAPS-0240-...-R-F0507-CR | - | - | - | - | ■ | - | ■ | - | - | - | 30 mm |
| DAPS-0480-...-R-F0710-CR | - | - | - | - | - | - | - | ■ | - | ■ | 30 mm |
| Hole pattern for NAMUR accessories | 25 | 25 | 25 | 30 | 30 | 30 | 30 | 30 | 30 | 30 | |
| | 50 | 50 | 50 | 80 | 80 | 80 | 80 | 80 | 80 | 80 | |

| DAPS CR, single-acting | | | | | | | | | | | |
|--|-----|-----|-----|-----|-----|-----|-----|-----|-----|-----|--------------|
| Flange hole pattern – Connection dimensions to DIN ISO 5211 and NAMUR VDI/VDE 3845 | | | | | | | | | | | |
| Connection | F03 | F03 | F05 | F05 | F05 | F07 | F07 | F07 | F10 | F10 | Shaft height |
| Square | V09 | V11 | V11 | V14 | V17 | V14 | V17 | V22 | V17 | V22 | |
| DAPS-0015-...-RS1-F03-CR | ■ | - | - | - | - | - | - | - | - | - | 20 mm |
| DAPS-0015-...-RS2-F03-CR | ■ | - | - | - | - | - | - | - | - | - | 20 mm |
| DAPS-0015-...-RS3-F03-CR | ■ | - | - | - | - | - | - | - | - | - | 20 mm |
| DAPS-0015-...-RS4-F03-CR | ■ | - | - | - | - | - | - | - | - | - | 20 mm |
| DAPS-0030-...-RS1-F03-CR | - | ■ | ■ | - | - | - | - | - | - | - | 20 mm |
| DAPS-0030-...-RS2-F03-CR | - | ■ | ■ | - | - | - | - | - | - | - | 20 mm |
| DAPS-0030-...-RS3-F03-CR | - | ■ | ■ | - | - | - | - | - | - | - | 20 mm |
| DAPS-0030-...-RS4-F03-CR | - | ■ | ■ | - | - | - | - | - | - | - | 20 mm |
| DAPS-0060-...-RS1-F0305-CR | - | - | - | ■ | - | ■ | - | - | - | - | 30 mm |
| DAPS-0060-...-RS2-F0305-CR | - | - | - | ■ | - | ■ | - | - | - | - | 30 mm |
| DAPS-0060-...-RS3-F0305-CR | - | - | - | ■ | - | ■ | - | - | - | - | 30 mm |
| DAPS-0060-...-RS4-F0305-CR | - | - | - | ■ | - | ■ | - | - | - | - | 30 mm |
| DAPS-0120-...-RS1-F0507-CR | - | - | - | - | ■ | - | ■ | - | - | - | 30 mm |
| DAPS-0120-...-RS2-F0507-CR | - | - | - | - | ■ | - | ■ | - | - | - | 30 mm |
| DAPS-0120-...-RS3-F0507-CR | - | - | - | - | ■ | - | ■ | - | - | - | 30 mm |
| DAPS-0120-...-RS4-F0507-CR | - | - | - | - | ■ | - | ■ | - | - | - | 30 mm |
| DAPS-0240-...-RS1-F0507-CR | - | - | - | - | - | - | - | ■ | - | ■ | 30 mm |
| DAPS-0240-...-RS1-F0507-CR | - | - | - | - | - | - | - | ■ | - | ■ | 30 mm |
| DAPS-0240-...-RS1-F0507-CR | - | - | - | - | - | - | - | ■ | - | ■ | 30 mm |
| DAPS-0240-...-RS1-F0507-CR | - | - | - | - | - | - | - | ■ | - | ■ | 30 mm |
| Hole pattern for NAMUR accessories | 25 | 25 | 25 | 30 | 30 | 30 | 30 | 30 | 30 | 30 | |
| | 50 | 50 | 50 | 80 | 80 | 80 | 80 | 80 | 80 | 80 | |

Quarter turn actuators DAPS

Peripherals overview

FESTO



Quarter turn actuators DAPS

Peripherals overview

| Mounting components and accessories | | |
|-------------------------------------|---------------------------------------|--|
| | Description | → Page/Internet |
| 1 | Positioner CMSX | For position control of quarter turn actuators in process automation systems cmsx |
| 2 | Sensor boxes SRBG | For electrical feedback and position monitoring of process valves which are actuated with quarter turn actuators srbg |
| 3 | Limit switch attachments DAPZ | Round design, variant AR Electrical, inductive or inductive and explosion-proof sensing dapz |
| 4 | Sensor boxes SRBC | For electrical feedback and position monitoring of process valves which are actuated with quarter turn actuators srbc |
| 5 | Sensor boxes SRAP | Analogue sensor box continuously senses the entire swivel range and reports this back to the controller srp |
| 6 | Solenoid valves NVF3 ¹⁾ | For F solenoid coil and explosion-proof F solenoid coil nvf3 |
| 7 | Solenoid valves VSNC | For single- and double-acting quarter turn actuators with a connection pattern to VDI/VDE 3845 vsnc |
| 8 | Solenoid valves VOFC | Solenoid valve with solenoid coil, connection pattern to Namur vofc |
| 9 | Solenoid valves VOFD | Solenoid valve with solenoid coil, connection pattern to Namur vofd |
| 10 | Ball valves VAPB | 2-way, brass, pipe thread to EN 10226-1 vapb |
| 11 | Ball valves VZBA | 2-way, stainless steel, optionally with pipe thread to EN 10226-1 or with welding ends vzba |
| 12 | Quarter turn actuators DAPS | Connection pattern to VDI/VDE 3845 for attaching solenoid valves 11 |

1) Direct mounting of solenoid valves only possible from size 0015 onwards

Quarter turn actuators DAPS

Type codes DAPS

DAPS – 0240 – 090 – R S 4 – F10 –

| Type | |
|-------------------------|----------------------------------|
| DAPS | Quarter turn actuator |
| Size | |
| 0008 | Nominal torque 8 Nm |
| 0015 | Nominal torque 15 Nm |
| 0030 | Nominal torque 30 Nm |
| 0053 | Nominal torque 53 Nm |
| 0060 | Nominal torque 60 Nm |
| 0090 | Nominal torque 90 Nm |
| 0106 | Nominal torque 106 Nm |
| 0120 | Nominal torque 120 Nm |
| 0180 | Nominal torque 180 Nm |
| 0240 | Nominal torque 240 Nm |
| 0360 | Nominal torque 360 Nm |
| 0480 | Nominal torque 480 Nm |
| 0720 | Nominal torque 720 Nm |
| 0960 | Nominal torque 960 Nm |
| 1440 | Nominal torque 1440 Nm |
| 1920 | Nominal torque 1920 Nm |
| 2880 | Nominal torque 2880 Nm |
| 3840 | Nominal torque 3840 Nm |
| 4000 | Nominal torque 4000 Nm |
| 5760 | Nominal torque 5760 Nm |
| 8000 | Nominal torque 8000 Nm |
| Swivel angle | |
| 090 | 90° |
| Closing direction | |
| R | Closes to right |
| Mode of operation | |
| – | Double-acting |
| S | Single-acting |
| Spring strength | |
| – | Not applicable for double-acting |
| 1 | For connection pressure 2.8 bar |
| 2 | For connection pressure 3.5 bar |
| 3 | For connection pressure 4.2 bar |
| 4 | For connection pressure 5.6 bar |
| 1st flange hole pattern | |
| F03 | Flange hole pattern F03 |
| F04 | Flange hole pattern F04 |
| F05 | Flange hole pattern F05 |
| F07 | Flange hole pattern F07 |
| F10 | Flange hole pattern F10 |
| F12 | Flange hole pattern F12 |
| F14 | Flange hole pattern F14 |
| F16 | Flange hole pattern F16 |
| F25 | Flange hole pattern F25 |

Quarter turn actuators DAPS

Type codes DAPS

| | | | | | | |
|--------------------------------|------------------------------|----|---|--|---|--|
| | | 12 | - | | - | |
| 2nd flange hole pattern | | | | | | |
| 05 | Flange hole pattern F05 | | | | | |
| 07 | Flange hole pattern F07 | | | | | |
| 10 | Flange hole pattern F10 | | | | | |
| 12 | Flange hole pattern F12 | | | | | |
| 16 | Flange hole pattern F16 | | | | | |
| Manual override | | | | | | |
| MW | With handwheel | | | | | |
| Temperature range | | | | | | |
| - | Standard (-20 °C ... +80 °C) | | | | | |
| T4 | -20 °C ... +150 °C | | | | | |
| T6 | -50 °C ... +60 °C | | | | | |

Quarter turn actuators DAPS CR

Type codes DAPS CR

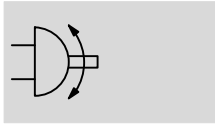
DAPS - 0015 - 090 - R S 4 - F03 - 05 - CR

| Type | |
|-------------------------|---|
| DAPS | Quarter turn actuator for process automation |
| Nominal torque in Nm | |
| 0015 | 15 Nm |
| 0030 | 30 Nm |
| 0060 | 60 Nm |
| 0120 | 120 Nm |
| 0240 | 240 Nm |
| 0480 | 480 Nm |
| Swivel angle in degrees | |
| 90 | 90° |
| Closing direction | |
| R | Closes to right |
| Mode of operation | |
| S | Single-acting |
| Spring strength | |
| 1 | Spring strength for connection pressure 2.8 bar |
| 2 | Spring strength for connection pressure 3.5 bar |
| 3 | Spring strength for connection pressure 4.2 bar |
| 4 | Spring strength for connection pressure 5.6 bar |
| 1st flange hole pattern | |
| F03 | Flange hole pattern 03 |
| F05 | Flange hole pattern 05 |
| F07 | Flange hole pattern 07 |
| 2nd flange hole pattern | |
| 05 | Flange hole pattern 05 |
| 07 | Flange hole pattern 07 |
| 10 | Flange hole pattern 10 |
| Special design | |
| CR | Stainless steel |

Quarter turn actuators DAPS, double-acting

Technical data

Function



Swivel angle
0 ... 90°

Wearing parts kits
→ page 24



Size
0008 ... 8000

Torque
8 ... 8000 Nm

| General technical data | | | | | | |
|-------------------------------------|--------------------|---------------|---------------|---------------|---------------|------|
| Size | 0008 | 0015 ... 0360 | 0480 ... 0960 | 1440 ... 1920 | 2880 ... 5760 | 8000 |
| Pneumatic connection | G1/8 | G1/8 | G1/4 | G1/4 | G1/8 | G3/8 |
| Design | Scotch yoke system | | | | | |
| Mode of operation | Double-acting | | | | | |
| Mounting position | Any | | | | | |
| Position sensing | None | | | | | |
| Cushioning | No cushioning | | | | | |
| Swivel angle | [°] | 90 | | | | |
| End-position adjusting range at 0° | | | | | | |
| DAPS ... R- ... | [°] | - | -1 ... +9 | | ±5 | |
| DAPS ... R- ... T4 | [°] | - | -1 ... +9 | - | | |
| DAPS ... R- ... T6 | [°] | - | -1 ... +9 | | ±5 | - |
| End-position adjusting range at 90° | | | | | | |
| DAPS ... R- ... | [°] | - | | | 85 ... 95 | |
| DAPS ... R- ... T4 | [°] | - | | | | |
| DAPS ... R- ... T6 | [°] | - | | | 85 ... 95 | - |
| Closing direction | Closes to right | | | | | |

| Operating and environmental conditions | | | | | | | |
|--|--|---------------|---------------|---------------|---------------|---------|--|
| Size | 0008 | 0015 ... 0360 | 0480 ... 0960 | 1440 ... 1920 | 2880 ... 5760 | 8000 | |
| Nominal operating pressure | [bar] | 5.6 | | | | | |
| Operating pressure | | | | | | | |
| DAPS ... R- ... | [bar] | 1 ... 8.4 | | | | 1 ... 7 | |
| DAPS ... R- ... T4 | [bar] | 3 ... 8.4 | | | - | | |
| DAPS ... R- ... T6 | [bar] | 3 ... 8.4 | | | | | |
| Operating medium | Compressed air to ISO 8573-1:2010 [7:4:4] | | | | | | |
| Note on operating/pilot medium | Lubricated operation possible (in which case lubricated operation will always be required) | | | | | | |
| Ambient temperature | | | | | | | |
| DAPS ... R- ... | [°C] | -20 ... +80 | | | | | |
| DAPS ... R- ... T4 | [°C] | - | -20 ... +150 | | - | | |
| DAPS ... R- ... T6 | [°C] | - | -50 ... +60 | | | - | |
| Corrosion resistance class CRC ¹⁾ | 3 | | | | | | |
| Connection to process valve as per standard | ISO 5211 | | | | | | |
| Valve connection as per standard | VDI/VDE 3845 (NAMUR) | | | | | | |
| Safety Integrity Level (SIL) | Up to SIL 2 High Demand mode | | | | | | |
| | Up to SIL 2 Low Demand mode | | | | | | |

1) Corrosion resistance class CRC 3 to Festo standard FN 940070
High corrosion stress. Outdoor exposure under moderate corrosive conditions. External visible parts with primarily functional requirements for the surface and which are in direct contact with a normal industrial environment.

Quarter turn actuators DAPS, double-acting

Technical data

| ATEX | | |
|--|------------|--|
| ATEX category for gas | | II 2G |
| Type of (ignition) protection for gas | | c TX X |
| ATEX category for dust | | II 2D |
| Type of (ignition) protection dust | | c TX X |
| Explosion ambient temperature | Standard | $-20\text{ °C} \leq T_a \leq +60\text{ °C}$ |
| | Variant T4 | $-20\text{ °C} \leq T_a \leq +150\text{ °C}$ |
| | Variant T6 | $-50\text{ °C} \leq T_a \leq +60\text{ °C}$ |
| CE marking (see declaration of conformity) | | To EU Explosion Protection Directive (ATEX) |

| Air consumption [l/cycle] at 6 bar | | | |
|------------------------------------|------|-----------|-------|
| Size | | Size | |
| DAPS-0008 | 0.4 | DAPS-0720 | 24.5 |
| DAPS-0015 | 0.72 | DAPS-0960 | 48 |
| DAPS-0030 | 1.44 | DAPS-1440 | 53.2 |
| DAPS-0060 | 3 | DAPS-1920 | 96 |
| DAPS-0106 | 5.04 | DAPS-2880 | 140 |
| DAPS-0180 | 8.64 | DAPS-3840 | 170.1 |
| DAPS-0240 | 12 | DAPS-5760 | 266 |
| DAPS-0360 | 17.4 | DAPS-8000 | 300 |
| DAPS-0480 | 24 | | |

| Weight [g] | | | |
|------------|------|-----------|--------|
| Size | | Size | |
| DAPS-0008 | 300 | DAPS-0720 | 12000 |
| DAPS-0015 | 750 | DAPS-0960 | 17400 |
| DAPS-0030 | 1000 | DAPS-1440 | 23000 |
| DAPS-0060 | 1600 | DAPS-1920 | 32000 |
| DAPS-0106 | 2500 | DAPS-2880 | 56000 |
| DAPS-0180 | 4600 | DAPS-3840 | 49000 |
| DAPS-0240 | 5400 | DAPS-5760 | 86000 |
| DAPS-0360 | 6500 | DAPS-8000 | 106000 |
| DAPS-0480 | 9600 | | |

| Materials | | | |
|------------------------|----------|--|--------|
| Quarter turn actuators | | Material number | |
| Housing | | Wrought aluminium alloy | – |
| Cap | | Wrought aluminum alloy | – |
| Shaft | | High-alloy steel | 1.4305 |
| External screws | | High-alloy steel | – |
| Seals | Standard | FPM, NBR, PUR | – |
| | T4 | FPM, PTFE-reinforced | – |
| | T6 | FVMQ, PTFE-reinforced | – |
| Note on materials | Standard | RoHS-compliant | – |
| | T4 | Contains paint-wetting impairment substances, RoHS-compliant | – |
| | T6 | Contains paint-wetting impairment substances, RoHS-compliant | – |

| Actual torque [Nm] as a function of operating pressure [bar] and swivel angle [°] | | | | | | | | | |
|---|------------------|--------------------------|-----|------|------|------|------|------|------|
| Size | Swivel angle [°] | Operating pressure [bar] | | | | | | | |
| | | 2.5 | 3 | 4 | 5 | 5.6 | 6 | 7 | 8 |
| DAPS-0008 | 0 | 3.1 | 3.8 | 5 | 6.3 | 7 | 7.5 | 8.8 | 10 |
| | 50 | 1.6 | 1.9 | 2.5 | 3.1 | 3.5 | 3.8 | 4.4 | 5 |
| | 90 | 3.1 | 3.8 | 5 | 6.3 | 7 | 7.5 | 8.8 | 10 |
| DAPS-0015 | 0 | 6.7 | 8 | 10.7 | 13.4 | 15 | 16.1 | 18.8 | 21.4 |
| | 50 | 3.3 | 4 | 5.4 | 6.7 | 7.5 | 8 | 9.4 | 10.7 |
| | 90 | 5 | 6 | 8.1 | 10.1 | 11.3 | 12.1 | 14.1 | 16.1 |

Quarter turn actuators DAPS, double-acting

Technical data

| Actual torque [Nm] as a function of operating pressure [bar] and swivel angle [°] | | | | | | | | | |
|---|------------------|--------------------------|--------|--------|--------|------|--------|--------|--------|
| Size | Swivel angle [°] | Operating pressure [bar] | | | | | | | |
| | | 2.5 | 3 | 4 | 5 | 5.6 | 6 | 7 | 8 |
| DAPS-0030 | 0 | 13.4 | 16.1 | 21.4 | 26.8 | 30 | 32.1 | 37.5 | 42.9 |
| | 50 | 6.7 | 8 | 10.7 | 13.4 | 15 | 16.1 | 18.8 | 21.4 |
| | 90 | 10 | 12 | 16.1 | 20.1 | 22.5 | 24.1 | 28.1 | 32.1 |
| DAPS-0060 | 0 | 26.8 | 32.1 | 42.9 | 53.6 | 60 | 64.3 | 75 | 85.7 |
| | 50 | 13.4 | 16.1 | 21.4 | 26.8 | 30 | 32.1 | 37.5 | 42.9 |
| | 90 | 20.1 | 24.1 | 32.1 | 40.2 | 45 | 48.2 | 56.3 | 64.3 |
| DAPS-0106 | 0 | 47.5 | 57 | 76 | 95 | 106 | 114 | 133 | 151 |
| | 50 | 23.5 | 28 | 38 | 47 | 53 | 57 | 66 | 76 |
| | 90 | 35.5 | 43 | 57 | 71 | 80 | 86 | 100 | 114 |
| DAPS-0180 | 0 | 80.4 | 96 | 128.4 | 160.8 | 180 | 193.2 | 225.6 | 264.8 |
| | 50 | 40.2 | 48 | 64.8 | 80.4 | 90 | 96 | 112.8 | 128.4 |
| | 90 | 60.6 | 72 | 97.2 | 121.2 | 135 | 145.2 | 169.2 | 193.2 |
| DAPS-0240 | 0 | 107.1 | 128.6 | 171.4 | 214.3 | 240 | 257.1 | 300 | 342.9 |
| | 50 | 53.5 | 64.3 | 85.7 | 107.1 | 120 | 128.6 | 150 | 171.4 |
| | 90 | 80.3 | 96.4 | 128.6 | 160.7 | 180 | 192.9 | 225 | 257.1 |
| DAPS-0360 | 0 | 160.8 | 192 | 256.8 | 321.6 | 360 | 386.4 | 451.2 | 513.6 |
| | 50 | 80.4 | 96 | 129.6 | 160.8 | 180 | 192 | 225.6 | 264.8 |
| | 90 | 121.2 | 144 | 194.4 | 242.4 | 270 | 290.4 | 338.4 | 386.4 |
| DAPS-0480 | 0 | 214.3 | 257.1 | 342.9 | 428.6 | 480 | 514.3 | 600 | 685.7 |
| | 50 | 107.1 | 128.6 | 171.4 | 214.3 | 240 | 257.1 | 300 | 342.9 |
| | 90 | 160.7 | 192.9 | 257.1 | 321.4 | 360 | 358.7 | 450 | 514.3 |
| DAPS-0720 | 0 | 321.4 | 384 | 513.6 | 643.2 | 720 | 772.8 | 902.4 | 1027.2 |
| | 50 | 160.7 | 192 | 259.2 | 321.6 | 360 | 384 | 451.2 | 529.6 |
| | 90 | 241 | 288.1 | 388.8 | 484.8 | 540 | 580.8 | 676.8 | 772.8 |
| DAPS-0960 | 0 | 428.6 | 514.3 | 685.7 | 857.1 | 960 | 1028.6 | 1200 | 1371.4 |
| | 50 | 214.3 | 257.1 | 342.9 | 428.6 | 480 | 514.3 | 600 | 685.7 |
| | 90 | 321.4 | 385.7 | 514.3 | 642.9 | 720 | 771.4 | 900 | 1028.6 |
| DAPS-1440 | 0 | 642.8 | 768 | 1027.2 | 1286.4 | 1440 | 1545.6 | 1804.8 | 2057.4 |
| | 50 | 321.4 | 384 | 518.4 | 643.2 | 720 | 768 | 902.4 | 1059.2 |
| | 90 | 482.1 | 576 | 777.6 | 969.9 | 1080 | 1161.6 | 1353.6 | 1545.6 |
| DAPS-1920 | 0 | 857.1 | 1028.6 | 1371.4 | 1714.3 | 1920 | 2057.1 | 2400 | 2742.9 |
| | 50 | 428.6 | 514.3 | 685.8 | 857.1 | 960 | 1028.6 | 1200 | 1371.4 |
| | 90 | 642.9 | 771.4 | 1028.6 | 1285.7 | 1440 | 1542.9 | 1800 | 2057.1 |
| DAPS-2880 | 0 | 1285 | 1,542 | 2057 | 2571 | 2880 | 3085 | 3600 | 4114 |
| | 50 | 642 | 771 | 1028 | 1285 | 1440 | 1542 | 1800 | 2057 |
| | 90 | 856 | 1028 | 1371 | 1741 | 1920 | 2056 | 2400 | 2742 |
| DAPS-3840 | 0 | 1714 | 2057 | 2743 | 3428 | 3840 | 4114 | 4800 | 5485 |
| | 50 | 857 | 1028 | 1371 | 1714 | 1920 | 2057 | 2400 | 2742 |
| | 90 | 1285 | 1543 | 2057 | 2571 | 2880 | 3085 | 3600 | 4114 |
| DAPS-5760 | 0 | 2571 | 3085 | 4114 | 5142 | 5760 | 6171 | 7200 | 8228 |
| | 50 | 1285 | 1542 | 2057 | 2571 | 2880 | 3085 | 3600 | 4141 |
| | 90 | 1928 | 2313 | 3085 | 3856 | 4320 | 4628 | 5400 | 6171 |
| DAPS-8000 | 0 | 3571.4 | 4285.7 | 5714.3 | 7142.9 | 8000 | 8571.4 | 10000 | - |
| | 50 | 1785.7 | 2142.9 | 2857.1 | 3571.4 | 4000 | 4285.7 | 5000 | - |
| | 90 | 2678.6 | 3214.3 | 4285.7 | 5357.1 | 6000 | 6428.6 | 7500 | - |

Torque for size at 5.6 bar and swivel angle 0°



Note

The operating torque of the drive must not be higher than the maximum permissible torque listed in ISO 5211, with reference to the size of the mounting flange and of the coupling.

Quarter turn actuators DAPS, double-acting

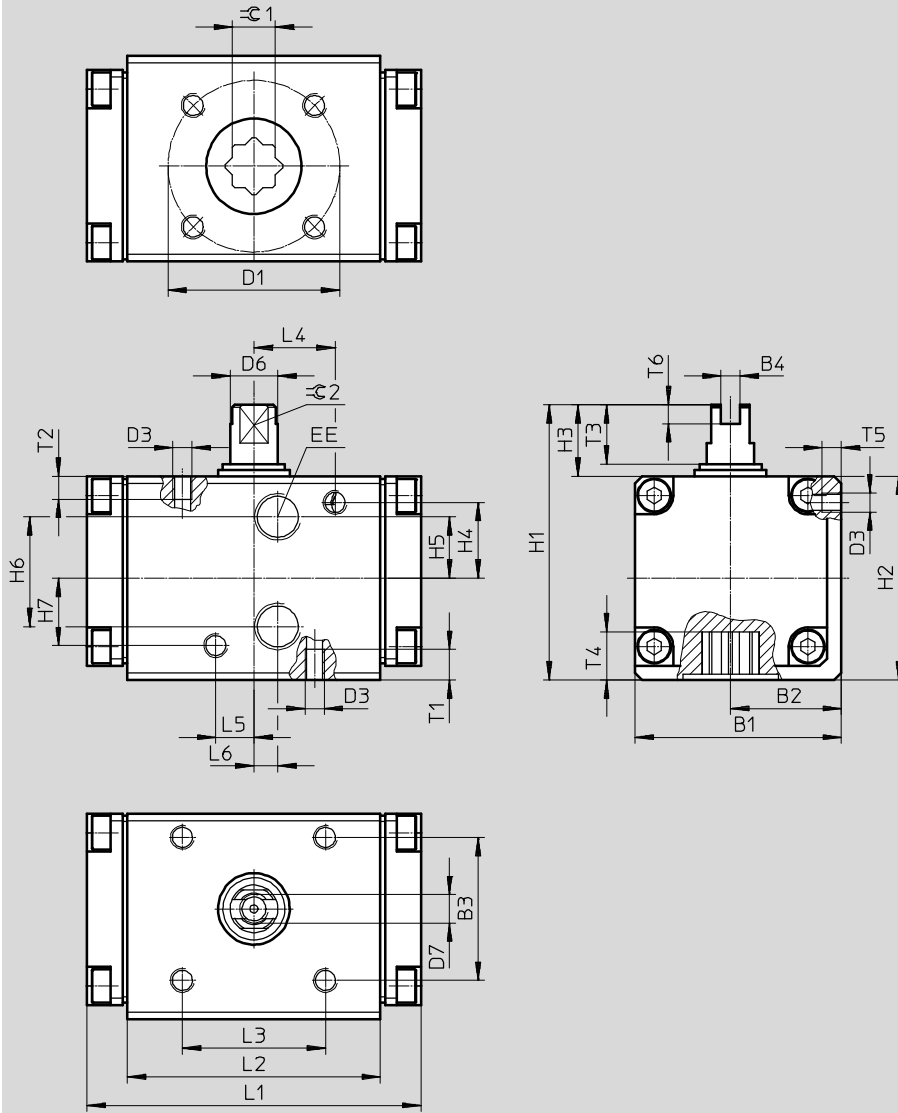
Technical data

FESTO

Dimensions

Download CAD data → www.festo.com

Size 0008



Quarter turn actuators DAPS, double-acting

Technical data

| Size | B1 | B2 | B3 | B4 +0.1 | D1 ∅ | D3 | D6 ∅ | D7 | EE | H1 | H2 | H3 | H4 | H5 | H6 |
|--------------|------|------|----|------------|---------|----|---------|----|------|------|------|----|------|------|----|
| DAPS-008-... | 43.2 | 23.2 | 30 | 4 | 36 | M5 | 10 | M6 | G1/8 | 57.7 | 42.7 | 15 | 14.5 | 11.5 | 23 |

| Size | H7 | L1 | L2 | L3 | L4 | L5 | L6 | T1 | T2 | T3 | T4 | T5 | T6 +0.5 | ⌀ 1 H11 | ⌀ 2 h11 |
|--------------|------|----|----|----|----|----|----|----|----|------|------|----|------------|------------|------------|
| DAPS-008-... | 15.5 | 70 | 53 | 30 | 17 | 8 | 5 | 8 | 6 | 12.4 | 10.1 | 5 | 4.5 | 9 | 8 |

Quarter turn actuators DAPS, double-acting

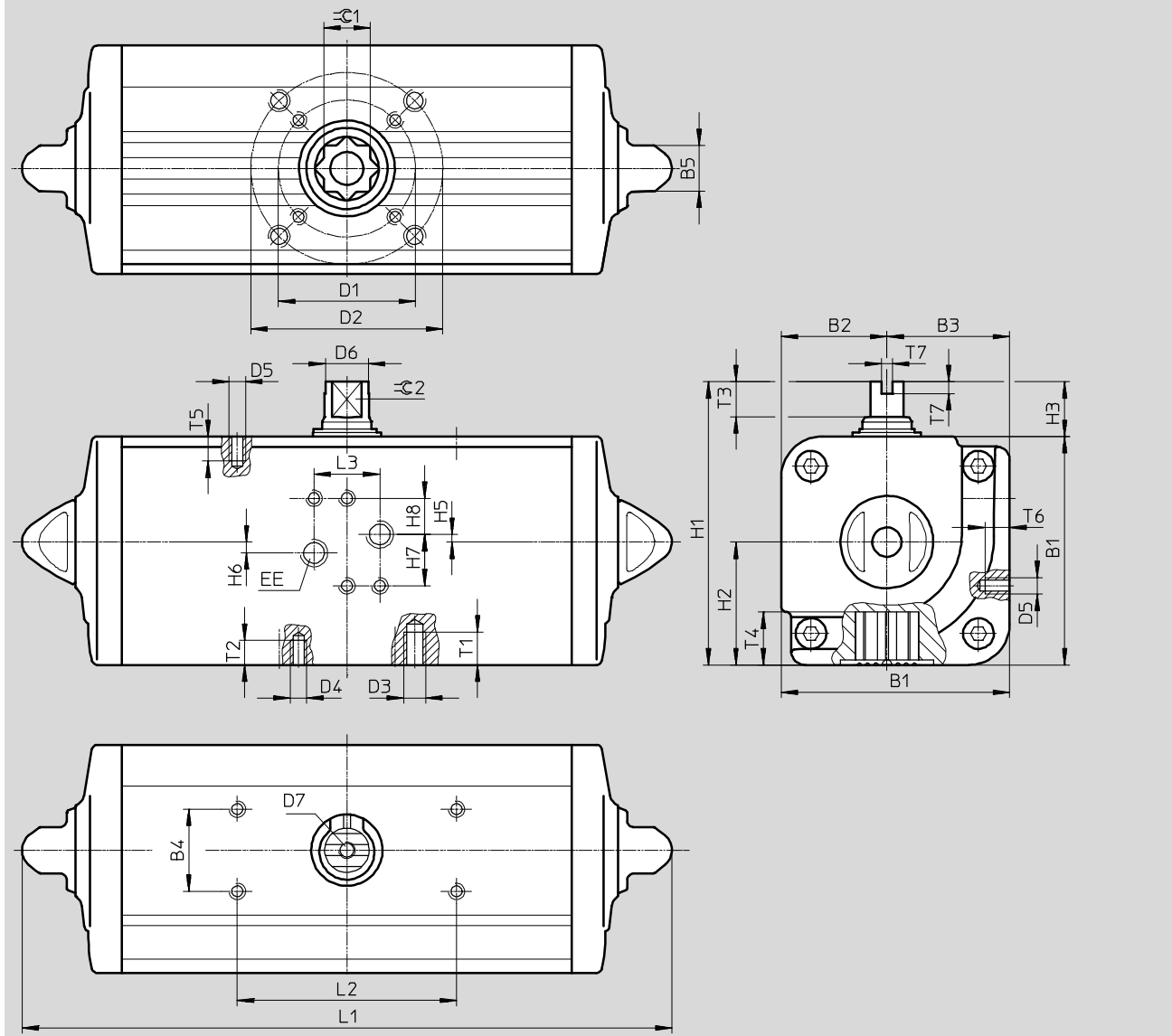
Technical data

FESTO

Dimensions

Download CAD data → www.festo.com

DAPS-0015-090-...-T4



Quarter turn actuators DAPS, double-acting

Technical data

| Size | B1 | B2 | B3 | B4 | B5 | D1 ∅ ±0.1 | D2 ∅ ±0.1 | D3 | D4 | D5 | D6 ∅ | D7 | EE | H1 | H2 | H3 | | | | | |
|---------------------|-------|------|------|----|----|-----------------|-----------------|-----|----|----|---------|----|------|------|------|-------|-------|-------|------|------|----|
| DAPS-0015-...-F03 | 52.2 | 24.2 | 28 | 30 | 13 | 36 | - | - | M5 | M5 | 9.2 | M6 | G1/8 | 72.2 | 28 | 20 | | | | | |
| DAPS-0015-...-F04 | | | | | | 42 | - | - | M5 | | | | | | | | | | | | |
| DAPS-0030-...-F0305 | 59.2 | 27.7 | 31.5 | | 13 | 36 | 50 | M6 | M5 | | 10.9 | | | 14.5 | 16.2 | 20.2 | 22.5 | 25.5 | 79.2 | 31.5 | 20 |
| DAPS-0030-...-F04 | | | | | | 42 | - | - | M5 | | | | | | | | | | | | |
| DAPS-0060-...-F04 | 70.4 | 32.7 | 37.7 | | 13 | 42 | - | - | M5 | | M5 | | | 14.5 | 16.2 | 20.2 | 22.5 | 25.5 | 90.4 | 37.7 | 20 |
| DAPS-0060-...-F0507 | | | | | | 50 | 70 | M8 | M6 | | | | | | | | | | | | |
| DAPS-0106-...-F0507 | 83.3 | 38.5 | 44.8 | | 17 | 50 | 70 | M8 | M6 | | M5 | | | 16.2 | 20.2 | 22.5 | 25.5 | 103.3 | 44.8 | 20 | |
| DAPS-0180-...-F0710 | 107.5 | 51 | 56.5 | | 22 | 70 | 102 | M10 | M8 | | M5 | | | 20.2 | 22.5 | 25.5 | 137.5 | 56.5 | 30 | | |
| DAPS-0240-...-F0710 | 111.1 | 51 | 60.1 | | 22 | 70 | 102 | M10 | M8 | | M5 | | | 22.5 | 25.5 | 141.1 | 60.1 | 30 | | | |
| DAPS-0360-...-F0710 | 118 | 56 | 62 | | 22 | 70 | 102 | M10 | M8 | | M5 | | | 25.5 | 148 | 62 | 30 | | | | |

| Size | H5 | H6 | H7 | H8 | L1 ±2 | L2 | L3 | T1 | T2 | T3 | T4 | T5 | T6 | T7 | ≈C 1 | ≈C 2 | | | | | | | |
|---------------------|-----|-----|----|----|----------|----|----|-------|-------|----|------|----|----|----|------|------|----|------|---|---|---|----|----|
| DAPS-0015-...-F03 | 0.8 | 3.2 | 18 | 14 | 159 | 80 | 24 | - | 8 | 10 | 13.2 | 6 | 7 | 4 | 11 | 8 | | | | | | | |
| DAPS-0015-...-F04 | | | | | | | | 9 | 8 | 10 | 13.2 | | | | | | | | | | | | |
| DAPS-0030-...-F0305 | 0.8 | 3.2 | | | | | | 174 | 198 | 80 | 24 | | | | - | 8 | 13 | 16.5 | 6 | 7 | 4 | 14 | 10 |
| DAPS-0030-...-F04 | | | | | | | | | | | | | | | - | 9 | 13 | 16.5 | | | | | |
| DAPS-0060-...-F04 | - | 4 | | | | | | 237.1 | 289.9 | 80 | 24 | | | | 12 | 9 | 13 | 19.3 | 6 | 7 | 4 | 17 | 12 |
| DAPS-0060-...-F0507 | | | | | | | | | | | | | | | 12 | 9 | 13 | 19.3 | | | | | |
| DAPS-0106-...-F0507 | - | 4 | | | | | | 313.6 | 339.3 | 80 | 24 | | | | 15 | 12 | 16 | 24.8 | 6 | 7 | 4 | 22 | 15 |
| DAPS-0180-...-F0710 | | | | | | | | | | | | | | | 15 | 12 | 17 | 24.8 | | | | | |
| DAPS-0240-...-F0710 | - | 4 | | | | | | 339.3 | 339.3 | 80 | 24 | | | | 15 | 12 | 19 | 24.3 | 6 | 7 | 4 | 22 | 19 |
| DAPS-0360-...-F0710 | | | | | | | | | | | | | | | 15 | 12 | 19 | 24.3 | | | | | |

Quarter turn actuators DAPS, double-acting

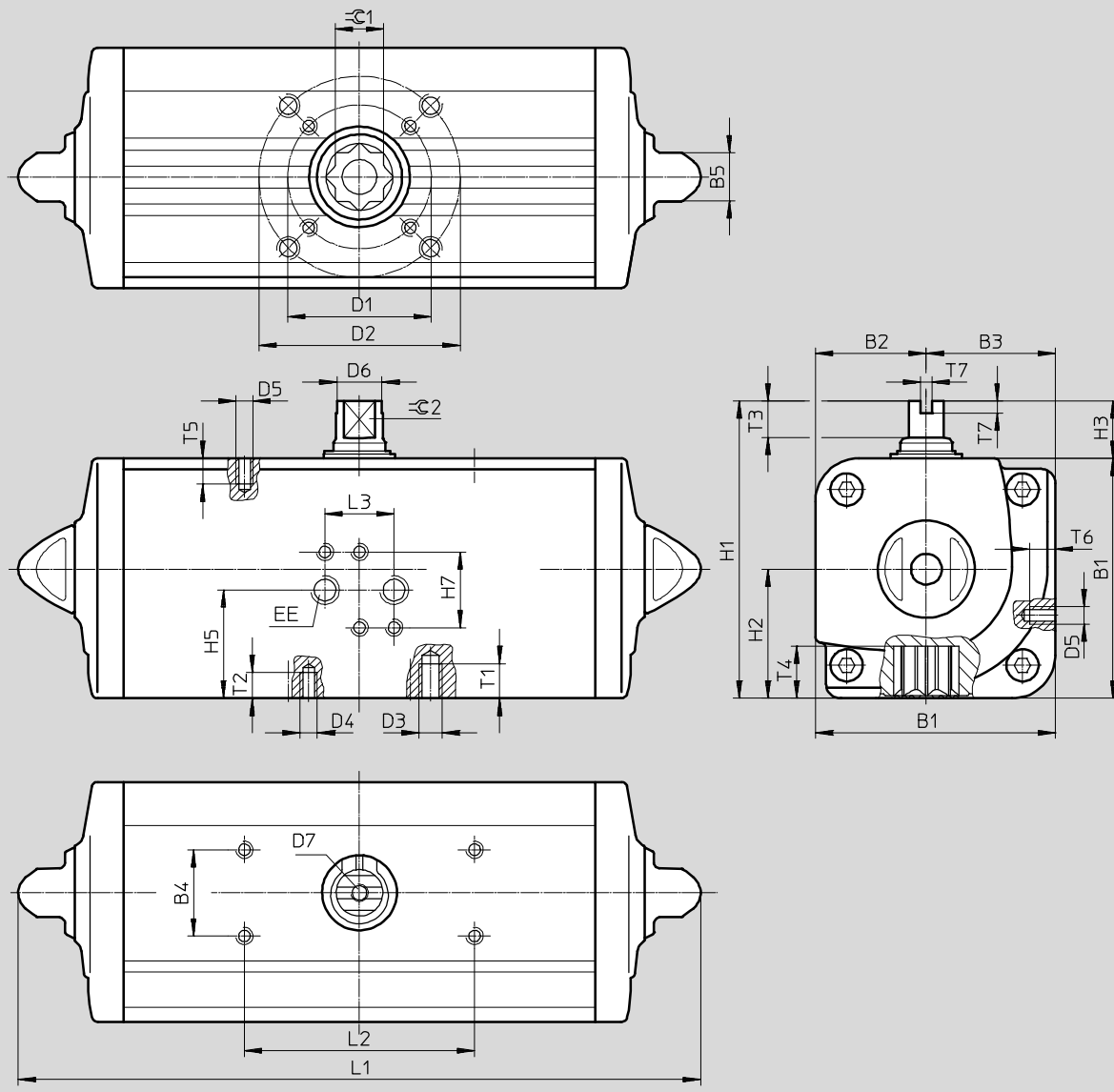
Technical data

FESTO

Dimensions

Download CAD data → www.festo.com

Size 0015 ... 1920



Quarter turn actuators DAPS, double-acting

Technical data

| Size | B1 | B2 | B3 | B4 | B5 | D1 ∅ ±0.1 | D2 ∅ ±0.1 | D3 | D4 | D5 | D6 ∅ | D7 | EE | H1 | H2 | |
|---------------------|-------|------|------|----|----|-----------------|-----------------|-----|----|----|---------|----|------|-------|-------|------|
| DAPS-0015-...-F03 | 52.2 | 24.2 | 28 | 30 | 13 | 36 | - | - | M5 | M5 | 9.2 | M6 | G1/8 | 72.2 | 28 | |
| DAPS-0015-...-F04 | | | | | | 42 | | | M5 | | | | | | | |
| DAPS-0030-...-F0305 | 59.2 | 27.7 | 31.5 | | 13 | 36 | 50 | M6 | M5 | | 10.9 | | | 79.2 | 31.5 | |
| DAPS-0030-...-F04 | | | | | | 42 | - | - | M5 | | | | | | | |
| DAPS-0060-...-F04 | 70.4 | 32.7 | 37.7 | | 13 | 42 | - | - | M5 | | 14.5 | | | 16.2 | 103.3 | 44.8 |
| DAPS-0060-...-F0507 | | | | | | 50 | 70 | M8 | M6 | | | | | | | |
| DAPS-0106-...-F0507 | 83.3 | 38.5 | 44.8 | | 17 | 50 | 70 | M8 | M6 | | 20.2 | | | 137.5 | 56.5 | |
| DAPS-0180-...-F0710 | 107.5 | 51 | 56.5 | | 22 | 70 | 102 | M10 | M8 | | 22.5 | | | 141.1 | 60.1 | |
| DAPS-0240-...-F0710 | 111.1 | 51 | 60.1 | | 22 | 70 | 102 | M10 | M8 | | 25.5 | | | 148 | 62 | |
| DAPS-0360-...-F0710 | 118 | 56 | 62 | | 22 | 70 | 102 | M10 | M8 | | | | | | | |

| Size | H3 | H5 | H7 | L1 ±2 | L2 | L3 | T1 | T2 | T3 | T4 | T5 | T6 | T7 | ≈C1 | ≈C2 |
|---------------------|----|------|----|----------|----|----|----|----|----|------|----|----|----|-----|-----|
| DAPS-0015-...-F03 | 20 | 28.8 | 32 | 159 | 80 | 24 | - | 8 | 10 | 13.2 | 6 | 7 | 4 | 11 | 8 |
| DAPS-0015-...-F04 | | | | | | | | 8 | | | | | | | |
| DAPS-0030-...-F0305 | 20 | 32.3 | | 174 | | | 9 | 8 | 10 | 13.2 | | | | | |
| DAPS-0030-...-F04 | | | | | | | | | | | | | | - | 8 |
| DAPS-0060-...-F04 | 20 | 37.7 | | 198 | | | - | 8 | 13 | 16.5 | | | | | |
| DAPS-0060-...-F0507 | | | | | | | | | | | | | | 12 | 9 |
| DAPS-0106-...-F0507 | 20 | 44.8 | | 237.1 | | | 12 | 9 | 13 | 19.3 | | | | 17 | 12 |
| DAPS-0180-...-F0710 | 30 | 56.5 | | 289.9 | | | 15 | 12 | 16 | 24.8 | | | | 22 | 15 |
| DAPS-0240-...-F0710 | 30 | 60.1 | | 313.6 | | | 15 | 12 | 17 | 24.8 | | | | 22 | 15 |
| DAPS-0360-...-F0710 | 30 | 62 | | 339.3 | | | 15 | 12 | 19 | 24.3 | | | | 22 | 19 |

| Size | B1 | B2 | B3 | B4 | B5 | D1 ∅ ±0.1 | D2 ∅ ±0.1 | D3 | D4 | D5 | D6 ∅ | D7 | EE | H1 | H2 |
|---------------------|-------|------|-------|----|----|-----------------|-----------------|-----|-----|----|---------|----|------|-------|-------|
| DAPS-0480-...-F1012 | 134.9 | 62 | 72.9 | 30 | 27 | 102 | 125 | M12 | M10 | M5 | 29 | M6 | G1/4 | 164.9 | 72.9 |
| DAPS-0720-...-F1012 | 148 | 69.5 | 78.5 | | 27 | 102 | 125 | M12 | M10 | | 31.8 | | | 178 | 78.5 |
| DAPS-0960-...-F12 | 168 | 74.5 | 93.5 | | 27 | 102 | 125 | M12 | M10 | | 36.5 | | | 198 | 93.5 |
| DAPS-0960-...-F14 | | | | | 27 | 140 | - | - | M16 | | | | | | |
| DAPS-1440-...-F12 | 186 | 84.5 | 101.5 | | 36 | 125 | - | - | M12 | | 41 | | | 216 | 101.5 |
| DAPS-1440-...-F14 | | | | | 36 | 140 | - | - | M16 | | | | | | |
| DAPS-1920-...-F14 | 207.7 | 93 | 114.7 | | 36 | 140 | - | - | M16 | | 46 | | | 237.7 | 114.7 |
| DAPS-1920-...-F1216 | | | | | 36 | 125 | 165 | M20 | M12 | | | | | | |

| Size | H3 | H5 | H7 | L1 | L2 | L3 | T1 | T2 | T3 | T4 | T5 | T6 | T7 | ≈C1 | ≈C2 | |
|---------------------|----|------|----|-------|----|----|-------|----|------|------|----|----|----|------|-----|----|
| DAPS-0480-...-F1012 | 30 | 57.4 | 32 | 387.7 | 80 | 24 | 18 | 15 | 19 | 29.5 | 6 | 7 | 4 | 27 | 19 | |
| DAPS-0720-...-F1012 | | | | 433 | | | 18 | 15 | 19.5 | 29.5 | | | | 27 | 22 | |
| DAPS-0960-...-F12 | | | | 78 | | | 479.4 | 18 | 15 | 19.5 | | | | 38.5 | 36 | 24 |
| DAPS-0960-...-F14 | | | | | | | - | 24 | | | | | | | | |
| DAPS-1440-...-F12 | | | | 86.5 | | | 567 | - | 18 | 19.5 | | | | 38.5 | 36 | 27 |
| DAPS-1440-...-F14 | | | | | | | | - | 24 | | | | | | | |
| DAPS-1920-...-F14 | | | | 99.2 | | | 601 | - | 24 | 18.5 | | | | 48.5 | 46 | 32 |
| DAPS-1920-...-F1216 | | | | | | | | 30 | 18 | | | | | | | |

Quarter turn actuators DAPS, double-acting

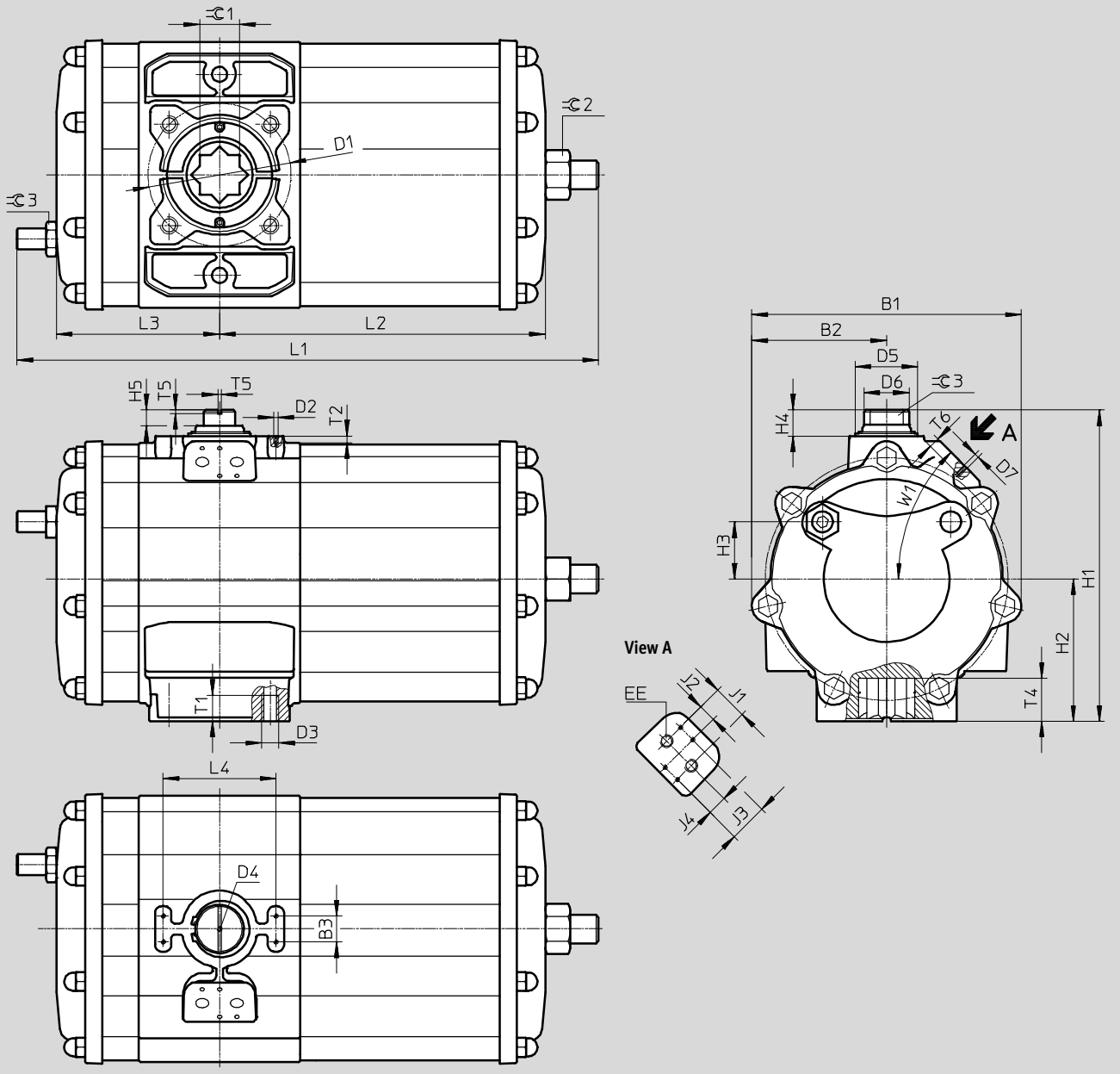
Technical data

FESTO

Dimensions

Download CAD data → www.festo.com

Size 2880



| Size | B1 | B2 | B3 | D1 ∅ | D2 | D3 | D4 | D5 ∅ | D6 ∅ | D7 | EE | H1 | H2 | H3 | H4 | H5 | J1 |
|---------------|-----|-----|----|---------|----|-----|----|---------|---------|----|------|-----|-----|----|----|----|----|
| DAPS-2880-... | 311 | 155 | 30 | 165 | M5 | M20 | M6 | 72 | 52 | M6 | G3/8 | 359 | 164 | 66 | 30 | 18 | 40 |

| Size | J2 | J3 | J4 | L1 ±2 | L2 | L3 | L4 | T1 | T2 | T4 ±0.8 | T5 | T6 | W1 | $\varnothing 1$ | $\varnothing 2$ | $\varnothing 3$ |
|---------------|----|----|------|----------|-----|-----|-----|----|----|------------|----|----|-----|----------------------------|----------------------------|----------------------------|
| DAPS-2880-... | 20 | 45 | 22.5 | 667 | 372 | 188 | 130 | 30 | 8 | 49.5 | 4 | 10 | 45° | 46 | 50 | 36 |

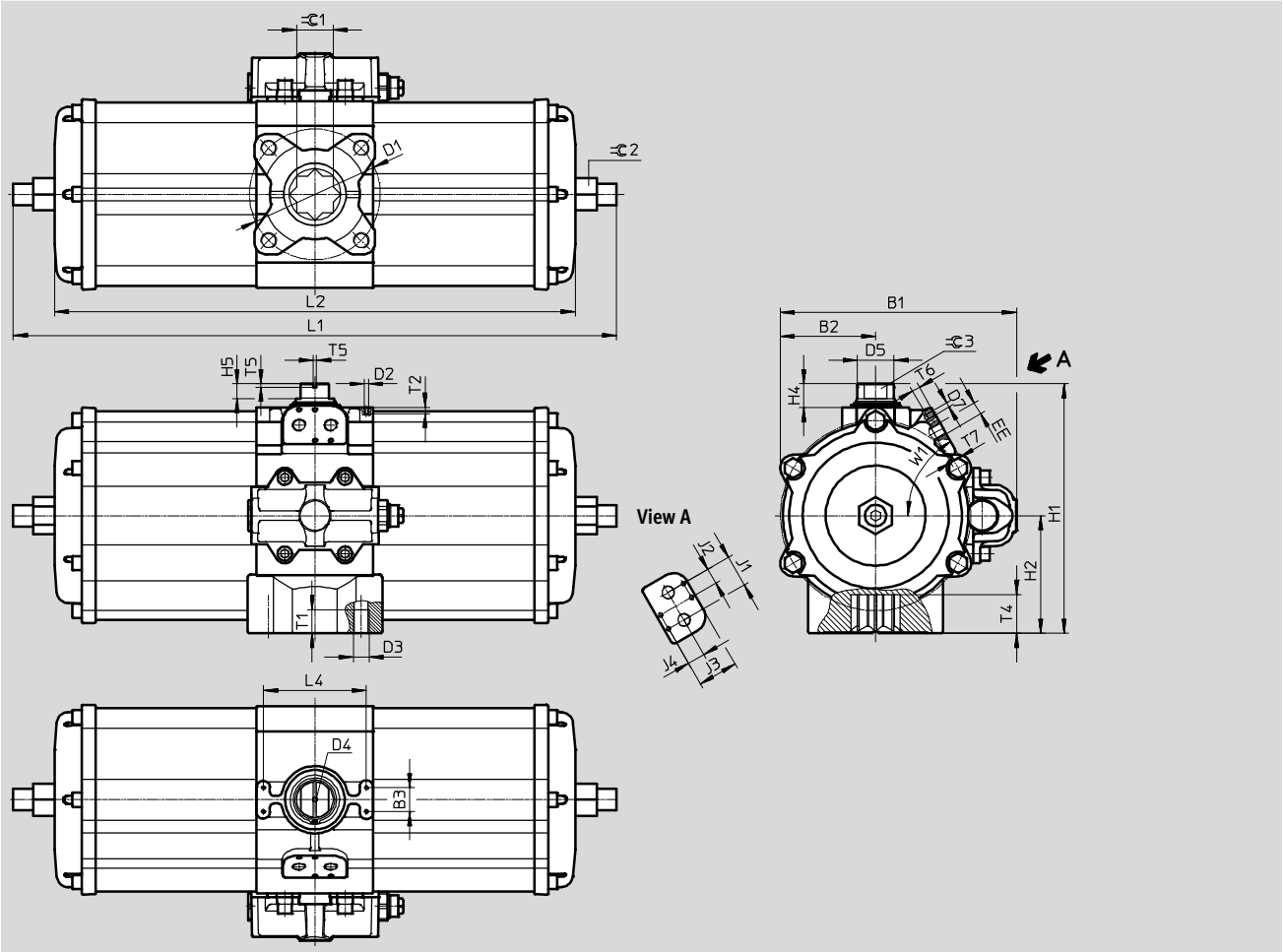
Quarter turn actuators DAPS, double-acting

Technical data

Dimensions

Download CAD data → www.festo.com

Size 3840



| Size | B1 | B2 | B3 | D1 ∅ | D2 | D3 | D4 | D5 ∅ | D7 | EE | H1 | H2 | H4 | H5 | J1 | J2 |
|---------------|-----|-----|----|---------|----|-----|----|---------|----|------|-----|-------|----|------|----|----|
| DAPS-3840-... | 298 | 120 | 30 | 165 | M5 | M20 | M6 | 46 | M6 | G3/8 | 314 | 148.5 | 30 | 18.5 | 40 | 20 |

| Size | J3 | J4 | L1 ±2 | L2 | L4 | T1 | T2 | T4 ±1 | T5 | T6 | T7 | W1 | $\varnothing 1$ | $\varnothing 2$ | $\varnothing 3$ |
|---------------|----|------|----------|-----|-----|----|----|----------|----|----|----|-----|-----------------|-----------------|-----------------|
| DAPS-3840-... | 45 | 22.5 | 765 | 614 | 130 | 30 | 8 | 49 | 4 | 10 | 13 | 60° | 46 | 41 | 32 |

Quarter turn actuators DAPS, double-acting

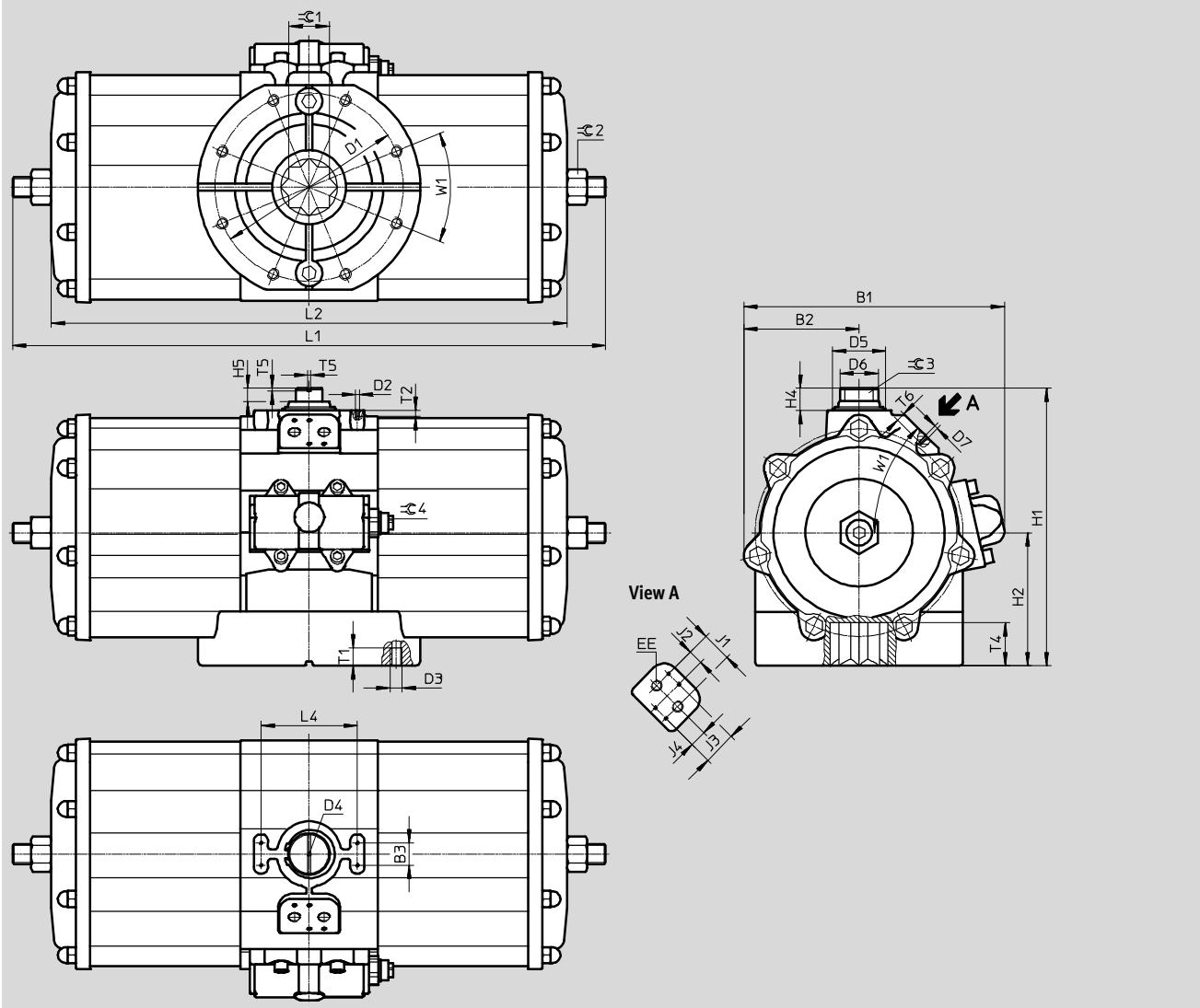
Technical data



Dimensions

Download CAD data → www.festo.com

Size 5760



| Size | B1 | B2 | B3 | D1 ∅ | D2 | D3 | D4 | D5 ∅ | D6 | D7 | EE | H1 | H2 | H4 | H5 | J1 |
|---------------|-----|-----|----|---------|----|-----|----|---------|----|----|------|-----|-----|----|----|----|
| DAPS-5760-... | 361 | 155 | 30 | 254 | M5 | M16 | M6 | 72 | 52 | M6 | G3/8 | 374 | 179 | 30 | 18 | 40 |

| Size | J2 | J3 | J4 | L1 ±2 | L2 | L4 | T1 | T2 | T4 ±0.8 | T5 | T6 | W1 | ≡1 | ≡2 | ≡3 | ≡4 |
|---------------|----|----|------|----------|-----|-----|----|----|------------|----|----|-----|----|----|----|----|
| DAPS-5760-... | 20 | 45 | 22.5 | 885 | 744 | 130 | 24 | 8 | 58 | 4 | 10 | 45° | 55 | 50 | 36 | 15 |

Quarter turn actuators DAPS, double-acting

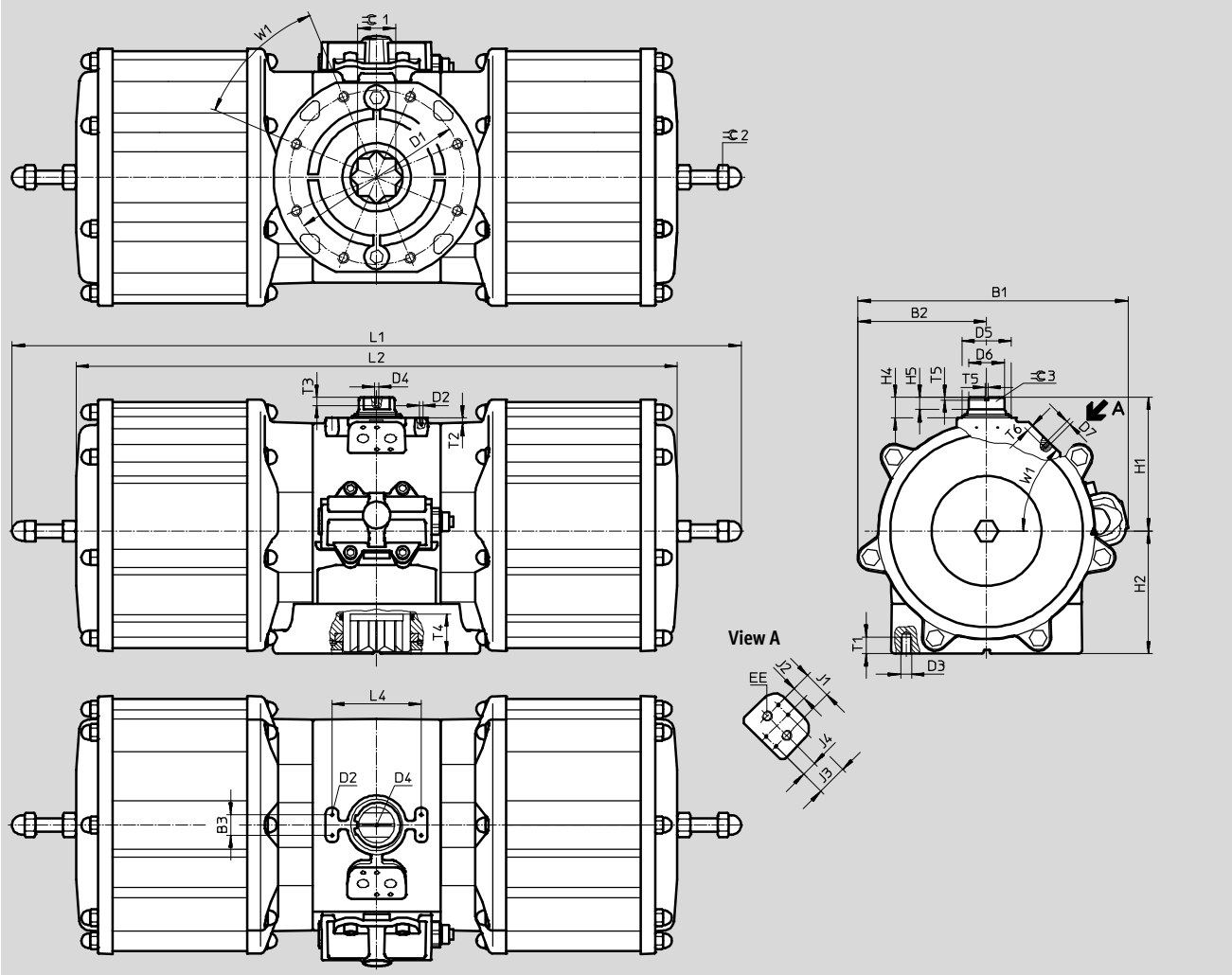
Technical data



Dimensions

Download CAD data → www.festo.com

Size 8000



| Size | B1 | B2 | B3 | D1 ∅ | D2 | D3 | D4 | D5 ∅ | D6 ∅ | D7 | EE | H1 | H2 | H4 | H5 | J1 |
|---------------|-----|-----|----|---------|----|-----|----|---------|---------|----|------|-----|-----|----|----|----|
| DAPS-8000-... | 394 | 188 | 30 | 254 | M5 | M16 | M6 | 72 | 52 | M6 | G3/8 | 195 | 179 | 30 | 18 | 40 |

| Size | J2 | J3 | J4 | L1 | L2 | L4 | T1 | T2 | T3 | T4 | T5 | T6 | W1 | $\ominus 1$ | $\ominus 2$ | $\ominus 3$ |
|---------------|----|----|------|------|-----|-----|----|----|----|----|----|----|-----|-------------|-------------|-------------|
| DAPS-8000-... | 20 | 45 | 22.5 | 1044 | 877 | 130 | 24 | 8 | 12 | 58 | 4 | 10 | 45° | 55 | 30 | 36 |

Quarter turn actuators DAPS, double-acting

Technical data

FESTO

| Ordering data – Drives | | Ordering data – Drives | |
|------------------------|------------------------------|------------------------|------------------------------|
| Part No. | Type | Part No. | Type |
| Size 0008 | | Size 0720 | |
| 549666 | DAPS-0008-090-R-F03 | 549667 | DAPS-0720-090-R-F1012 |
| Size 0015 | | Size 0960 | |
| 533417 | DAPS-0015-090-R-F03 | 533425 | DAPS-0960-090-R-F1012 |
| 533475 | DAPS-0015-090-R-F04 | 533478 | DAPS-0960-090-R-F14 |
| Size 0030 | | Size 1440 | |
| 533418 | DAPS-0030-090-R-F0305 | 549668 | DAPS-1440-090-R-F12 |
| 533476 | DAPS-0030-090-R-F04 | 549669 | DAPS-1440-090-R-F14 |
| Size 0060 | | Size 1920 | |
| 533419 | DAPS-0060-090-R-F04 | 533426 | DAPS-1920-090-R-F14 |
| 533477 | DAPS-0060-090-R-F0507 | 533479 | DAPS-1920-090-R-F1216 |
| Size 0106 | | Size 2880 | |
| 533420 | DAPS-0106-090-R-F0507 | 549670 | DAPS-2880-090-R-F16 |
| Size 0180 | | Size 3840 | |
| 533421 | DAPS-0180-090-R-F0710 | 549671 | DAPS-3840-090-R-F16 |
| Size 0240 | | Size 5760 | |
| 533422 | DAPS-0240-090-R-F0710 | 549672 | DAPS-5760-090-F25 |
| Size 0360 | | Size 8000 | |
| 533423 | DAPS-0360-090-R-F0710 | 560855 | DAPS-8000-090-R-F25 |
| Size 0480 | | | |
| 533424 | DAPS-0480-090-R-F1012 | | |

| Ordering data – Wearing parts kits | | Ordering data – Wearing parts kits | |
|------------------------------------|------------------------|------------------------------------|------------------------|
| Part No. | Type | Part No. | Type |
| Size 0015 | | Size 0240 | |
| 397470 | DAPS-0015 | 397475 | DAPS-0240/S0120 |
| Size 0030 | | Size 0360 | |
| 397471 | DAPS-0030/S0015 | 397476 | DAPS-0360/S0180 |
| Size 0060 | | Size 0480 | |
| 397472 | DAPS-0060/S0030 | 397477 | DAPS-0480/S0240 |
| Size 0106 | | Size 0960 | |
| 397473 | DAPS-0106/S0053 | 397478 | DAPS-0960/S0480 |
| Size 0180 | | Size 1920 | |
| 397474 | DAPS-0180/S0090 | 397479 | DAPS-1920/S0960 |

Quarter turn actuators DAPS, double-acting

Technical data

FESTO

| Ordering data – Drives for variant T4 | | Ordering data – Drives for variant T4 | |
|---------------------------------------|--------------------------|---------------------------------------|--------------------------|
| Part No. | Type | Part No. | Type |
| Size 0015 | | Size 0240 | |
| 8030599 | DAPS-0015-090-R-F03-T4 | 8030607 | DAPS-0240-090-R-F0710-T4 |
| 8030600 | DAPS-0015-090-R-F04-T4 | | |
| Size 0030 | | Size 0360 | |
| 8030601 | DAPS-0030-090-R-F0305-T4 | 8030608 | DAPS-0360-090-R-F0710-T4 |
| 8030602 | DAPS-0030-090-R-F04-T4 | | |
| Size 0060 | | Size 0480 | |
| 8030603 | DAPS-0060-090-R-F04-T4 | 8030609 | DAPS-0480-090-R-F1012-T4 |
| 8030604 | DAPS-0060-090-R-F0507-T4 | | |
| Size 0106 | | Size 0720 | |
| 8030605 | DAPS-0106-090-R-F0507-T4 | 8030610 | DAPS-0720-090-R-F1012-T4 |
| | | | |
| Size 0180 | | Size 0960 | |
| 8030606 | DAPS-0180-090-R-F0710-T4 | 8030611 | DAPS-0960-090-R-F1012-T4 |
| | | 8030612 | DAPS-0960-090-R-F14-T4 |

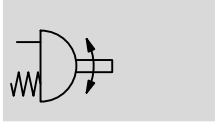
| Ordering data – Drives for variant T6 | | Ordering data – Drives for variant T6 | |
|---------------------------------------|--------------------------|---------------------------------------|--------------------------|
| Part No. | Type | Part No. | Type |
| Size 0015 | | Size 0720 | |
| 553170 | DAPS-0015-090-R-F03-T6 | 553181 | DAPS-0720-090-R-F1012-T6 |
| 553171 | DAPS-0015-090-R-F04-T6 | | |
| Size 0030 | | Size 0960 | |
| 553172 | DAPS-0030-090-R-F0305-T6 | 553182 | DAPS-0960-090-R-F12-T6 |
| 553173 | DAPS-0030-090-R-F04-T6 | 553183 | DAPS-0960-090-R-F14-T6 |
| Size 0060 | | Size 1440 | |
| 553174 | DAPS-0060-090-R-F04-T6 | 553184 | DAPS-1440-090-R-F12-T6 |
| 553175 | DAPS-0060-090-R-F0507-T6 | 553185 | DAPS-1440-090-R-F14-T6 |
| Size 0106 | | Size 1920 | |
| 553176 | DAPS-0106-090-R-F0507-T6 | 553186 | DAPS-1920-090-R-F14-T6 |
| | | 553187 | DAPS-1920-090-R-F1216-T6 |
| Size 0180 | | Size 2880 | |
| 553177 | DAPS-0180-090-R-F0710-T6 | 553188 | DAPS-2880-090-R-F16-T6 |
| Size 0240 | | Size 3840 | |
| 553178 | DAPS-0240-090-R-F0710-T6 | 553189 | DAPS-3840-090-R-F16-T6 |
| Size 0360 | | Size 5760 | |
| 553179 | DAPS-0360-090-R-F0710-T6 | 553190 | DAPS-5760-090-R-F25-T6 |
| Size 0480 | | | |
| 553180 | DAPS-0480-090-R-F1012-T6 | | |


Quarter turn actuators DAPS, single-acting

Technical data

FESTO


Function




 Swivel angle
0 ... 90°

Wearing parts kits
→ page 41



 Size
0015 ... 4000

 Torque
15 ... 4000 Nm

| General technical data | | | | |
|---|--|---|---------------|------|
| Size | 0015 ... 0180 | 0240 ... 0960 | 1440 ... 2880 | 4000 |
| Pneumatic connection | G1/8 | G1/4 | G3/8 | G3/8 |
| Design | Scotch yoke system | | | |
| Mode of operation | Single-acting | | | |
| Mounting position | Any | | | |
| Position sensing | None | | | |
| Cushioning | No cushioning | | | |
| Swivel angle | [°] | 90 | | |
| End-position adjusting range at 0° | | | | |
| DAPS ... RS- ... | [°] | One end position adjustable, -1 ... +9 | ±5 | |
| DAPS ... RS- ... T4 | [°] | | - | |
| DAPS ... RS- ... T6 | [°] | | ±5 | - |
| End-position adjusting range at 90° | | | | |
| DAPS ... RS- ... | [°] | One end position adjustable, 81 ... +91 | 85 ... 95 | |
| DAPS ... RS- ... T4 | [°] | | - | |
| DAPS ... RS- ... T6 | [°] | | 85 ... 95 | - |
| Note regarding end-position adjusting range | One end position optionally adjustable | | | |
| Closing direction | Closes to the right | | | |

| Operating and environmental conditions | | | | |
|--|--|---------------|------|--|
| Size | 0015 ... 0480 | 0720 ... 2880 | 4000 | |
| Nominal operating pressure | [bar] | 5.6 | | |
| Operating pressure ¹⁾ | | | | |
| DAPS ... RS1- ... | [bar] | 2.8 ... 8.4 | | |
| DAPS ... RS2- ... | [bar] | 3.5 ... 8.4 | | |
| DAPS ... RS3- ... | [bar] | 4.2 ... 8.4 | | |
| DAPS ... RS4- ... | [bar] | 5.6 ... 8.4 | | |
| Operating medium | Compressed air to ISO 8573-1:2010 [7:4:4] | | | |
| Note on operating/pilot medium | Lubricated operation possible (in which case lubricated operation will always be required) | | | |
| Ambient temperature | | | | |
| DAPS ... RS- ... | [°C] | -20 ... +80 | | |
| DAPS ... RS- ... T4 | [°C] | -20 ... +150 | - | |
| DAPS ... RS- ... T6 | [°C] | -50 ... +60 | - | |
| Corrosion resistance class CRC ²⁾ | 3 | | | |
| Connection to process valve as per standard | ISO 5211 | | | |
| Valve connection as per standard | VDI/VDE 3845 (NAMUR) | | | |
| Safety Integrity Level (SIL) | Up to SIL 2 High Demand mode | | | |
| | Up to SIL 2 Low Demand mode | | | |

1) Minimum operating pressures vary for single-acting rotary actuators depending upon spring quantity

2) Corrosion resistance class CRC 3 to Festo standard FN 940070

High corrosion stress. Outdoor exposure under moderate corrosive conditions. External visible parts with primarily functional requirements for the surface and which are in direct contact with a normal industrial environment.

Quarter turn actuators DAPS, single-acting

Technical data

| ATEX | | |
|--|------------|---|
| ATEX category for gas | | II 2G |
| Type of (ignition) protection for gas | | c TX X |
| ATEX category for dust | | II 2D |
| Type of (ignition) protection dust | | c TX X |
| Explosion ambient temperature | Standard | -20 °C ≤ Ta ≤ +60 °C |
| | Variant T4 | -20 °C ≤ Ta ≤ +150 °C |
| | Variant T6 | -50 °C ≤ Ta ≤ +60 °C |
| CE marking (see declaration of conformity) | | To EU Explosion Protection Directive (ATEX) |

| Air consumption [l/cycle] at 6 bar | |
|------------------------------------|-------|
| Size | |
| DAPS-0015 | 0.72 |
| DAPS-0030 | 1.44 |
| DAPS-0053 | 2.16 |
| DAPS-0090 | 4.32 |
| DAPS-0120 | 6 |
| DAPS-0180 | 8.64 |
| DAPS-0240 | 12 |
| DAPS-0360 | 14 |
| DAPS-0480 | 24 |
| DAPS-0720 | 29.4 |
| DAPS-0960 | 48 |
| DAPS-1440 | 77 |
| DAPS-1920 | 87.5 |
| DAPS-2880 | 147 |
| DAPS-4000 | 174.6 |


| Weight [g] | |
|------------|--------|
| Size | |
| DAPS-0015 | 1200 |
| DAPS-0030 | 1950 |
| DAPS-0053 | 3000 |
| DAPS-0090 | 5900 |
| DAPS-0120 | 6800 |
| DAPS-0180 | 8900 |
| DAPS-0240 | 11800 |
| DAPS-0360 | 16500 |
| DAPS-0480 | 22700 |
| DAPS-0720 | 33000 |
| DAPS-0960 | 42000 |
| DAPS-1440 | 74000 |
| DAPS-1920 | 67000 |
| DAPS-2880 | 117000 |
| DAPS-4000 | 183000 |

| Materials | | | |
|------------------------|----------|--|-----------------|
| Quarter turn actuators | | | Material number |
| Housing | | Wrought aluminium alloy | - |
| Cap | | Wrought aluminium alloy | - |
| Shaft | | High-alloy steel | 1.4305 |
| External screws | | High-alloy steel | - |
| Seals | Standard | FPM, NBR, PUR | - |
| | T4 | FPM, PTFE-reinforced | - |
| | T6 | FVMQ, PTFE-reinforced | - |
| Note on materials | Standard | RoHS-compliant | - |
| | T4 | Contains paint-wetting impairment substances, RoHS-compliant | - |
| | T6 | Contains paint-wetting impairment substances, RoHS-compliant | - |

Quarter turn actuators DAPS, single-acting

Technical data

| Actual torque [Nm] as a function of operating pressure [bar], spring strength and swivel angle [°] | | | | | | | | | | | | | | | | | | |
|--|--------------------|-------|-------|--------------------------|------|------|------|------|------|-------|-------|-------|-------|-------|------|------|-------|-------|
| Spring strength | Spring torque [Nm] | | | Operating pressure [bar] | | | | | | | | | | | | | | |
| | | | | 2.5 | | | 2.8 | | | 3 | | | 3.5 | | | 4.2 | | |
| | 0° | 50° | 90° | 0° | 50° | 90° | 0° | 50° | 90° | 0° | 50° | 90° | 0° | 50° | 90° | 0° | 50° | 90° |
| DAPS-0015 | | | | | | | | | | | | | | | | | | |
| 1 | 5.0 | 3.7 | 7.5 | 6.2 | 2.9 | 3.7 | 7.5 | 3.7 | 5 | 8.4 | 4.2 | 5.9 | 10.6 | 5.6 | 8.1 | 13.8 | 7.4 | 11.3 |
| 2 | 6.3 | 4.7 | 9.4 | - | - | - | - | - | - | 7.2 | 3.3 | 4 | 9.4 | 4.7 | 6.3 | 12.6 | 6.5 | 9.4 |
| 3 | 7.5 | 5.6 | 11.3 | - | - | - | - | - | - | - | - | - | 8.2 | 3.7 | 4.4 | 11.3 | 5.6 | 7.5 |
| 4 | 10.0 | 7.5 | 15 | - | - | - | - | - | - | - | - | - | - | - | - | - | - | - |
| DAPS-0030 | | | | | | | | | | | | | | | | | | |
| 1 | 10.0 | 7.5 | 15 | 12.3 | 5.9 | 7.3 | 15 | 7.5 | 10 | 16.8 | 8.6 | 11.8 | 21.3 | 11.3 | 16.3 | 27.5 | 15 | 22.5 |
| 2 | 12.5 | 9.4 | 18.8 | - | - | - | - | - | - | 14.3 | 6.7 | 8 | 18.8 | 9.4 | 12.5 | 25.1 | 13.2 | 18.8 |
| 3 | 15.0 | 11.3 | 22.5 | - | - | - | - | - | - | - | - | - | 16.3 | 7.5 | 8.8 | 22.5 | 11.3 | 15 |
| 4 | 20.0 | 15 | 30 | - | - | - | - | - | - | - | - | - | - | - | - | - | - | - |
| DAPS-0053 | | | | | | | | | | | | | | | | | | |
| 1 | 17.5 | 13 | 26.5 | 21.8 | 10.2 | 12.8 | 26.5 | 13 | 17.5 | 29.6 | 14.9 | 20.6 | 37.5 | 19.5 | 28.5 | 48.5 | 26 | 39.5 |
| 2 | 22 | 16.5 | 33 | - | - | - | - | - | - | 25.1 | 11.8 | 14.1 | 33 | 16.5 | 22 | 44 | 23.1 | 33 |
| 3 | 26 | 19.5 | 40 | - | - | - | - | - | - | - | - | - | 29 | 13 | 15 | 40 | 19.5 | 26 |
| 4 | 35 | 26 | 53 | - | - | - | - | - | - | - | - | - | - | - | - | - | - | - |
| DAPS-0090 | | | | | | | | | | | | | | | | | | |
| 1 | 30 | 22.5 | 45 | 37 | 17.7 | 22 | 45 | 22.5 | 30 | 50.4 | 25.7 | 35.4 | 63.8 | 33.8 | 48.8 | 82.5 | 45 | 67.5 |
| 2 | 37.5 | 28.1 | 56.3 | - | - | - | - | - | - | 42.9 | 20.1 | 24.1 | 56.3 | 28.1 | 37.5 | 75.1 | 39.4 | 56.3 |
| 3 | 45 | 33.9 | 67.5 | - | - | - | - | - | - | - | - | - | 48.8 | 22.6 | 26.3 | 67.5 | 33.9 | 45 |
| 4 | 60 | 45 | 90 | - | - | - | - | - | - | - | - | - | - | - | - | - | - | - |
| DAPS-0120 | | | | | | | | | | | | | | | | | | |
| 1 | 40 | 30 | 60 | 49.3 | 23.6 | 29.3 | 60 | 30 | 40 | 67.1 | 34.3 | 47.1 | 85 | 45 | 65 | 110 | 60 | 90 |
| 2 | 50 | 37.5 | 75 | - | - | - | - | - | - | 57.1 | 26.8 | 32.1 | 75 | 37.5 | 50 | 100 | 52.5 | 75 |
| 3 | 60 | 45 | 90 | - | - | - | - | - | - | - | - | - | 65 | 30 | 35 | 90 | 45 | 60 |
| 4 | 80 | 60 | 120 | - | - | - | - | - | - | - | - | - | - | - | - | - | - | - |
| DAPS-0180 | | | | | | | | | | | | | | | | | | |
| 1 | 60 | 45 | 90 | 73.9 | 35.4 | 43.9 | 90 | 45 | 60 | 100.7 | 51.4 | 70.7 | 127.5 | 67.5 | 97.5 | 165 | 90 | 135 |
| 2 | 75 | 56.3 | 112.5 | - | - | - | - | - | - | 85.7 | 40.2 | 48.2 | 112.5 | 56.3 | 75 | 150 | 78.8 | 112.5 |
| 3 | 90 | 67.5 | 135 | - | - | - | - | - | - | - | - | - | 97.5 | 45 | 52.5 | 135 | 67.5 | 90 |
| 4 | 120 | 90 | 180 | - | - | - | - | - | - | - | - | - | - | - | - | - | - | - |
| DAPS-0240 | | | | | | | | | | | | | | | | | | |
| 1 | 80 | 60 | 120 | 98.6 | 47.1 | 58.6 | 120 | 60 | 80 | 134.3 | 68.6 | 94.3 | 170 | 90 | 130 | 220 | 120 | 180 |
| 2 | 100 | 75 | 150 | - | - | - | - | - | - | 114.3 | 53.6 | 64.3 | 150 | 75 | 100 | 200 | 105 | 150 |
| 3 | 120 | 90 | 180 | - | - | - | - | - | - | - | - | - | 130 | 60 | 70 | 180 | 90 | 120 |
| 4 | 160 | 120 | 240 | - | - | - | - | - | - | - | - | - | - | - | - | - | - | - |
| DAPS-0360 | | | | | | | | | | | | | | | | | | |
| 1 | 120 | 90 | 180 | 147.9 | 70.7 | 87.9 | 180 | 90 | 120 | 201.4 | 102.9 | 141.1 | 255 | 135 | 195 | 330 | 180 | 270 |
| 2 | 150 | 112.5 | 225 | - | - | - | - | - | - | 171.4 | 80.4 | 96.4 | 225 | 112.5 | 150 | 300 | 157.5 | 225 |
| 3 | 180 | 135 | 270 | - | - | - | - | - | - | - | - | - | 195 | 90 | 105 | 270 | 135 | 180 |
| 4 | 240 | 180 | 360 | - | - | - | - | - | - | - | - | - | - | - | - | - | - | - |

 Note
The operating torque of the drive must not be higher than the maximum permissible torque listed in ISO 5211, with reference to the size of the mounting flange and of the coupling.

Quarter turn actuators DAPS, single-acting

Technical data

| Actual torque [Nm] as a function of operating pressure [bar], spring strength and swivel angle [°] | | | | | | | | | | | | | | | |
|--|--------------------------|-------|-------|-------|-------|-------|-------|-------|-------|-------|-------|------|-------|-------|-------|
| Spring strength | Operating pressure [bar] | | | | | | | | | | | | | | |
| | 5 | | | 5.6 | | | 6 | | | 7 | | | 8 | | |
| | 0° | 50° | 90° | 0° | 50° | 90° | 0° | 50° | 90° | 0° | 50° | 90° | 0° | 50° | 90° |
| DAPS-0015 | | | | | | | | | | | | | | | |
| 1 | - | | | - | | | - | | | - | | | - | | |
| 2 | 16.1 | 8.7 | 13 | 18.8 | 10.3 | 15.7 | - | | | - | | | - | | |
| 3 | 14.9 | 7.7 | 11.1 | 17.6 | 9.3 | 13.8 | 19.4 | 10.4 | 15.6 | 23.8 | 13.1 | 20 | 28.3 | 15.7 | 24.5 |
| 4 | 12.3 | 5.9 | 7.3 | 15 | 7.5 | 10 | 16.8 | 8.6 | 11.8 | 21.3 | 11.3 | 16.3 | 25.7 | 13.9 | 20.7 |
| DAPS-0030 | | | | | | | | | | | | | | | |
| 1 | - | | | - | | | - | | | - | | | - | | |
| 2 | 32.2 | 17.5 | 25.9 | 37.6 | 20.7 | 31.3 | - | | | - | | | - | | |
| 3 | 29.6 | 15.6 | 22.1 | 35 | 18.8 | 27.5 | 38.6 | 21 | 31.1 | 47.5 | 26.4 | 40 | 56.4 | 31.7 | 48.9 |
| 4 | 24.6 | 11.8 | 14.6 | 30 | 15 | 20 | 33.6 | 17.1 | 23.6 | 42.5 | 22.5 | 32.5 | 51.4 | 27.9 | 41.4 |
| DAPS-0053 | | | | | | | | | | | | | | | |
| 1 | - | | | - | | | - | | | - | | | - | | |
| 2 | 56.6 | 30.6 | 45.6 | 66 | 36.3 | 55 | - | | | - | | | - | | |
| 3 | 52.6 | 26.9 | 38.6 | 62 | 32.5 | 48 | 68.3 | 36.2 | 54.3 | 84 | 45.5 | 70 | 99.7 | 54.8 | 85.7 |
| 4 | 43.6 | 20.4 | 25.6 | 53 | 26 | 35 | 59.3 | 29.7 | 41.3 | 75 | 39 | 57 | 90 | 48.3 | 72.7 |
| DAPS-0090 | | | | | | | | | | | | | | | |
| 1 | - | | | - | | | - | | | - | | | - | | |
| 2 | 96.5 | 52.2 | 77.7 | 112.6 | 61.9 | 93.8 | - | | | - | | | - | | |
| 3 | 88.9 | 46.8 | 66.4 | 105 | 56.5 | 82.5 | 115.7 | 63 | 93.2 | 142.5 | 79.1 | 120 | 169.3 | 95.2 | 146.8 |
| 4 | 73.9 | 35.4 | 43.9 | 90 | 45 | 60 | 100.7 | 51.4 | 70.7 | 127.5 | 67.5 | 97.5 | 154.3 | 83.6 | 124.3 |
| DAPS-0120 | | | | | | | | | | | | | | | |
| 1 | - | | | - | | | - | | | - | | | - | | |
| 2 | 128.6 | 69.6 | 103.6 | 150 | 82.5 | 125 | - | | | - | | | - | | |
| 3 | 118.6 | 62.1 | 88.6 | 140 | 75 | 110 | 154.3 | 83.6 | 124.3 | 190 | 105 | 160 | 225.7 | 126.4 | 195.7 |
| 4 | 98.6 | 47.1 | 58.6 | 120 | 60 | 80 | 134.4 | 68.6 | 94.3 | 170 | 90 | 130 | 205.7 | 111.4 | 165.7 |
| DAPS-0180 | | | | | | | | | | | | | | | |
| 1 | - | | | - | | | - | | | - | | | - | | |
| 2 | 192.9 | 104.5 | 155.4 | 225 | 123.8 | 187.5 | - | | | - | | | - | | |
| 3 | 177.9 | 93.2 | 132.9 | 210 | 112.5 | 165 | 231.4 | 125.4 | 186.4 | 285 | 157.5 | 240 | 338.6 | 189.6 | 293.6 |
| 4 | 147.9 | 707.7 | 87.9 | 180 | 90 | 120 | 201.4 | 102.9 | 141.4 | 255 | 135 | 195 | 308.6 | 167.6 | 284.6 |
| DAPS-0240 | | | | | | | | | | | | | | | |
| 1 | - | | | - | | | - | | | - | | | - | | |
| 2 | 257.1 | 139.3 | 207.1 | 300 | 165 | 250 | - | | | - | | | - | | |
| 3 | 237.1 | 124.3 | 177.1 | 280 | 150 | 220 | 308.6 | 167.1 | 248.6 | 380 | 210 | 320 | 451.4 | 252.9 | 391.4 |
| 4 | 197.1 | 94.3 | 117.1 | 240 | 120 | 160 | 268.6 | 137.1 | 188.6 | 340 | 180 | 260 | 411.4 | 222.9 | 331.4 |
| DAPS-0360 | | | | | | | | | | | | | | | |
| 1 | - | | | - | | | - | | | - | | | - | | |
| 2 | 385.7 | 208.9 | 310.7 | 450 | 247.5 | 375 | - | | | - | | | - | | |
| 3 | 355.7 | 186.4 | 265.7 | 420 | 225 | 330 | 462.9 | 250.7 | 372.9 | 570 | 315 | 480 | 677.1 | 379.3 | 587.1 |
| 4 | 295.7 | 141.4 | 175.7 | 360 | 180 | 240 | 402.9 | 205.7 | 282.9 | 510 | 270 | 390 | 617.1 | 334.3 | 497.1 |

Torque for size at 5.6 bar and swivel angle 0°




Note

The operating torque of the drive must not be higher than the maximum permissible torque listed in ISO 5211, with reference to the size of the mounting flange and of the coupling.

Quarter turn actuators DAPS, single-acting

Technical data

| Actual torque [Nm] as a function of operating pressure [bar], spring strength and swivel angle [°] | | | | | | | | | | | | | | | | | | |
|--|--------------------|------|------|--------------------------|-------|-------|------|------|------|-------|-------|-------|------|------|------|------|------|------|
| Spring strength | Spring torque [Nm] | | | Operating pressure [bar] | | | | | | | | | | | | | | |
| | | | | 2.5 | | | 2.8 | | | 3 | | | 3.5 | | | 4.2 | | |
| | 0° | 50° | 90° | 0° | 50° | 90° | 0° | 50° | 90° | 0° | 50° | 90° | 0° | 50° | 90° | 0° | 50° | 90° |
| DAPS-0480 | | | | | | | | | | | | | | | | | | |
| 1 | 160 | 120 | 240 | 197.1 | 94.3 | 117.1 | 240 | 120 | 160 | 268.6 | 137.1 | 188.6 | 340 | 180 | 260 | 440 | 240 | 360 |
| 2 | 200 | 150 | 300 | - | - | - | - | - | - | 228.6 | 107.1 | 128.6 | 300 | 150 | 200 | 400 | 210 | 300 |
| 3 | 240 | 180 | 360 | - | - | - | - | - | - | - | - | - | 260 | 120 | 140 | 360 | 180 | 240 |
| 4 | 320 | 240 | 480 | - | - | - | - | - | - | - | - | - | - | - | - | - | - | - |
| DAPS-0720 | | | | | | | | | | | | | | | | | | |
| 1 | 240 | 180 | 360 | 295.7 | 141.4 | 175.7 | 360 | 180 | 240 | 402.9 | 205.7 | 282.9 | 510 | 270 | 390 | 660 | 360 | 540 |
| 2 | 300 | 225 | 450 | - | - | - | - | - | - | 342.9 | 160.7 | 192.9 | 450 | 225 | 300 | 600 | 315 | 450 |
| 3 | 360 | 270 | 540 | - | - | - | - | - | - | - | - | - | 390 | 180 | 210 | 540 | 270 | 360 |
| 4 | 480 | 360 | 720 | - | - | - | - | - | - | - | - | - | - | - | - | - | - | - |
| DAPS-0960 | | | | | | | | | | | | | | | | | | |
| 1 | 320 | 240 | 480 | 394.3 | 188.6 | 234.3 | 480 | 240 | 320 | 537.1 | 274.3 | 377.1 | 680 | 360 | 520 | 880 | 480 | 720 |
| 2 | 400 | 300 | 600 | - | - | - | - | - | - | 457.1 | 214.3 | 257.1 | 600 | 300 | 400 | 800 | 420 | 600 |
| 3 | 480 | 360 | 720 | - | - | - | - | - | - | - | - | - | 520 | 240 | 280 | 720 | 360 | 480 |
| 4 | 640 | 480 | 960 | - | - | - | - | - | - | - | - | - | - | - | - | - | - | - |
| DAPS-1440 | | | | | | | | | | | | | | | | | | |
| 1 | 480 | 360 | 720 | 591 | 282 | 351 | 720 | 360 | 480 | 805 | 411 | 565 | 1020 | 540 | 780 | 1320 | 720 | 1080 |
| 2 | 600 | 450 | 900 | - | - | - | - | - | - | 685 | 321 | 385 | 900 | 450 | 600 | 1200 | 630 | 900 |
| 3 | 720 | 540 | 1080 | - | - | - | - | - | - | - | - | - | 780 | 360 | 420 | 1080 | 540 | 720 |
| 4 | 960 | 720 | 1440 | - | - | - | - | - | - | - | - | - | - | - | - | - | - | - |
| DAPS-1920 | | | | | | | | | | | | | | | | | | |
| 1 | 640 | 480 | 960 | 778 | 377 | 468 | 960 | 480 | 640 | 1074 | 548 | 754 | 1360 | 720 | 1040 | 1760 | 960 | 1440 |
| 2 | 800 | 600 | 1200 | - | - | - | - | - | - | 914 | 428 | 514 | 1200 | 600 | 800 | 1600 | 840 | 1200 |
| 3 | 960 | 720 | 1440 | - | - | - | - | - | - | - | - | - | 1040 | 480 | 560 | 1440 | 720 | 960 |
| 4 | 1280 | 960 | 1920 | - | - | - | - | - | - | - | - | - | - | - | - | - | - | - |
| DAPS-2880 | | | | | | | | | | | | | | | | | | |
| 1 | 960 | 720 | 1440 | 1183 | 566 | 703 | 1440 | 720 | 960 | 1611 | 823 | 1131 | 2040 | 1080 | 1560 | 2640 | 1440 | 2160 |
| 2 | 1200 | 900 | 1800 | - | - | - | - | - | - | 1370 | 643 | 771 | 1800 | 900 | 1200 | 2400 | 1260 | 1800 |
| 3 | 1440 | 1080 | 2160 | - | - | - | - | - | - | - | - | - | 1560 | 720 | 840 | 2160 | 1080 | 1440 |
| 4 | 1920 | 1440 | 2880 | - | - | - | - | - | - | - | - | - | - | - | - | - | - | - |
| DAPS-4000 | | | | | | | | | | | | | | | | | | |
| 1 | 1333 | 1000 | 2000 | 1524 | 714 | 857 | 2000 | 1000 | 1333 | 2238 | 1143 | 1571 | 2833 | 1500 | 2166 | 3666 | 2000 | 2999 |
| 2 | 1666 | 1250 | 2500 | - | - | - | - | - | - | 1905 | 893 | 1071 | 2500 | 1250 | 1666 | 3333 | 1750 | 2499 |
| 3 | 1999 | 1500 | 3000 | - | - | - | - | - | - | - | - | - | 2167 | 1000 | 1166 | 3000 | 1500 | 1999 |
| 4 | 2666 | 2000 | 4000 | - | - | - | - | - | - | - | - | - | - | - | - | - | - | - |

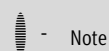
 - Note
The operating torque of the drive must not be higher than the maximum permissible torque listed in ISO 5211, with reference to the size of the mounting flange and of the coupling.

Quarter turn actuators DAPS, single-acting

Technical data

| Actual torque [Nm] as a function of operating pressure [bar], spring strength and swivel angle [°] | | | | | | | | | | | | | | | |
|--|--------------------------|-------|-------|------|------|------|--------|-------|-------|------|------|------|--------|--------|--------|
| Spring strength | Operating pressure [bar] | | | | | | | | | | | | | | |
| | 5 | | | 5.6 | | | 6 | | | 7 | | | 8 | | |
| | 0° | 50° | 90° | 0° | 50° | 90° | 0° | 50° | 90° | 0° | 50° | 90° | 0° | 50° | 90° |
| DAPS-0480 | | | | | | | | | | | | | | | |
| 1 | - | | | - | | | - | | | - | | | - | | |
| 2 | 514.3 | 278.6 | 414.3 | 600 | 330 | 500 | - | | | - | | | - | | |
| 3 | 474.3 | 248.6 | 354.3 | 560 | 300 | 440 | 617.1 | 334.3 | 497.1 | 760 | 420 | 640 | 902.9 | 505.7 | 782.9 |
| 4 | 394.3 | 118.6 | 234.3 | 480 | 240 | 320 | 537.1 | 274.3 | 377.1 | 680 | 360 | 520 | 822.9 | 445.7 | 662.9 |
| DAPS-0720 | | | | | | | | | | | | | | | |
| 1 | - | | | - | | | - | | | - | | | - | | |
| 2 | 771.4 | 417.9 | 621.4 | 900 | 495 | 750 | - | | | - | | | - | | |
| 3 | 711.4 | 372.9 | 531.4 | 840 | 450 | 660 | 925.7 | 501.4 | 745.7 | 1140 | 630 | 960 | 1354 | 758.6 | 1174 |
| 4 | 591.4 | 282.9 | 351.4 | 720 | 360 | 480 | 805.7 | 411.4 | 565.7 | 1020 | 540 | 780 | 1234 | 668.6 | 994.3 |
| DAPS-0960 | | | | | | | | | | | | | | | |
| 1 | - | | | - | | | - | | | - | | | - | | |
| 2 | 1028.6 | 557.1 | 828.6 | 1200 | 660 | 1000 | - | | | - | | | - | | |
| 3 | 948.6 | 497.1 | 708.6 | 1120 | 600 | 880 | 1234.3 | 668.6 | 994.3 | 1520 | 840 | 1280 | 1805.7 | 1011.4 | 1565.7 |
| 4 | 788.6 | 377.1 | 468.6 | 960 | 480 | 640 | 1074.3 | 548.6 | 754.3 | 1360 | 720 | 1040 | 1645.7 | 891.4 | 1325.7 |
| DAPS-1440 | | | | | | | | | | | | | | | |
| 1 | - | | | - | | | - | | | - | | | - | | |
| 2 | 1542 | 835 | 1242 | 1800 | 990 | 1500 | - | | | - | | | - | | |
| 3 | 1422 | 745 | 1062 | 1680 | 900 | 1320 | 1851 | 1002 | 1491 | 2280 | 1260 | 1920 | 2708 | 1517 | 2348 |
| 4 | 1182 | 565 | 702 | 1440 | 720 | 960 | 1611 | 822 | 1131 | 2040 | 1080 | 1560 | 2468 | 1337 | 1988 |
| DAPS-1920 | | | | | | | | | | | | | | | |
| 1 | - | | | - | | | - | | | - | | | - | | |
| 2 | 2057 | 1114 | 1657 | 2400 | 1320 | 2000 | - | | | - | | | - | | |
| 3 | 1897 | 994 | 1417 | 2240 | 1200 | 1760 | 2468 | 1337 | 1988 | 3040 | 1680 | 2560 | 3611 | 2022 | 3131 |
| 4 | 1577 | 754 | 937 | 1920 | 960 | 1280 | 2148 | 1097 | 1508 | 2720 | 1440 | 2080 | 3291 | 1782 | 2651 |
| DAPS-2880 | | | | | | | | | | | | | | | |
| 1 | - | | | - | | | - | | | - | | | - | | |
| 2 | 3085 | 1671 | 2485 | 3600 | 1980 | 3000 | - | | | - | | | - | | |
| 3 | 2845 | 1491 | 2125 | 3360 | 1800 | 2640 | 3702 | 2006 | 2982 | 4560 | 2520 | 3840 | 5417 | 3034 | 4697 |
| 4 | 2365 | 1131 | 1405 | 2880 | 1440 | 1920 | 3222 | 1645 | 2262 | 4080 | 2160 | 3120 | 4937 | 2674 | 3977 |
| DAPS-4000 | | | | | | | | | | | | | | | |
| 1 | - | | | - | | | - | | | - | | | - | | |
| 2 | 4285 | 2321 | 3451 | 5000 | 2750 | 4166 | - | | | - | | | - | | |
| 3 | 3952 | 2071 | 2951 | 4666 | 2500 | 3665 | 5143 | 2786 | 4141 | 6333 | 3500 | 5332 | 7523 | 4214 | 6522 |
| 4 | 3286 | 1571 | 1952 | 4000 | 2000 | 2666 | 4476 | 2286 | 3142 | 5666 | 3000 | 4332 | 6857 | 3714 | 5523 |

Torque for size at 5.6 bar and swivel angle 0°



Note

The operating torque of the drive must not be higher than the maximum permissible torque listed in ISO 5211, with reference to the size of the mounting flange and of the coupling.

Quarter turn actuators DAPS, single-acting

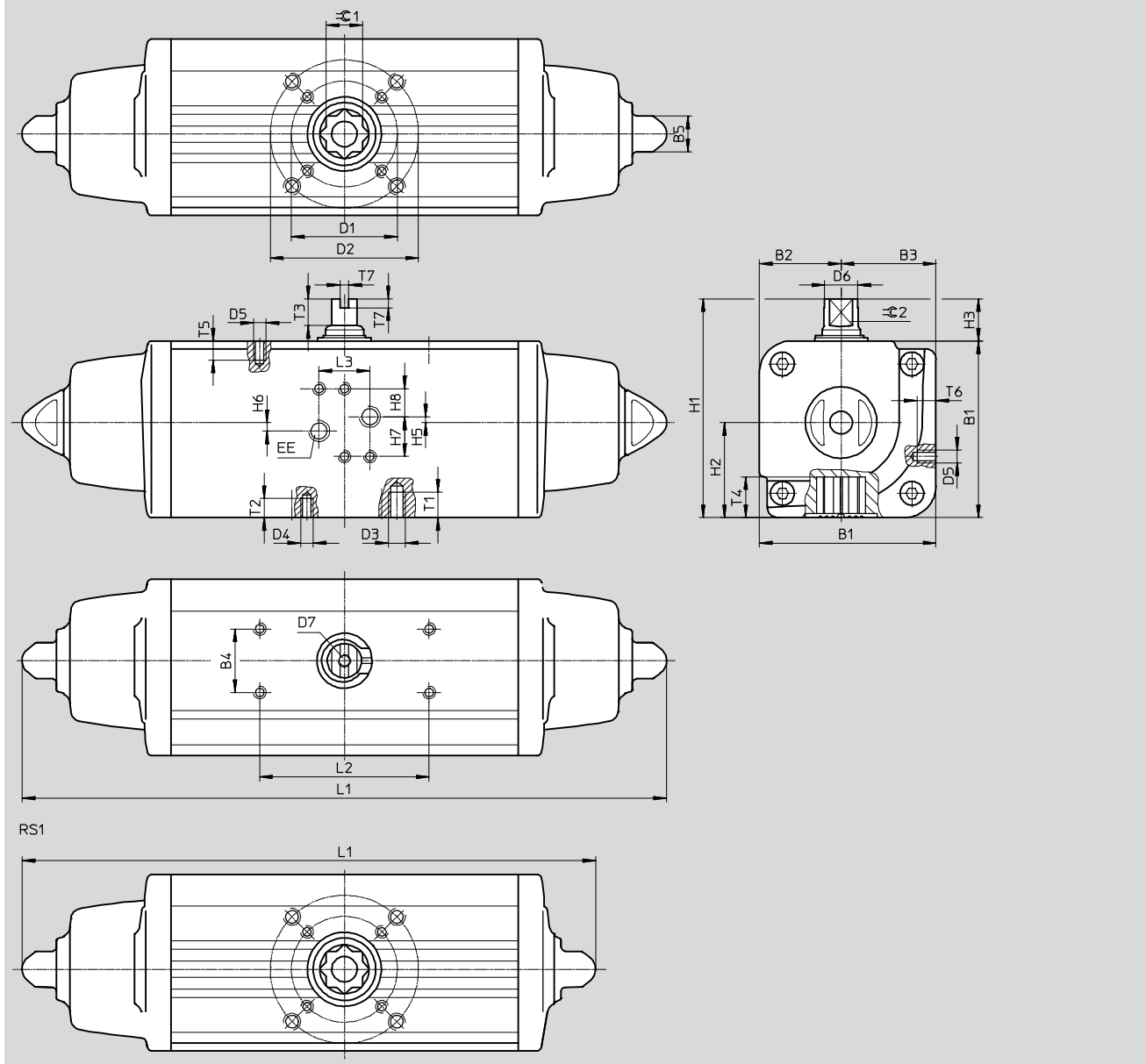
Technical data

FESTO

Dimensions

Download CAD data → www.festo.com

DAPS-0015-090-...-T4



Quarter turn actuators DAPS, single-acting

Technical data

| Size | B1 | B2 | B3 | B4 | B5 | D1 ∅ ±0.1 | D2 ∅ ±0.1 | D3 | D4 | D5 | D6 ∅ | D7 | EE | H1 | H2 | H3 | H5 |
|---------------------|-------|------|------|----|----|-----------------|-----------------|-----|----|----|---------|----|------|-------|------|----|-----|
| DAPS-0015-...-F0305 | 59.2 | 27.7 | 31.5 | 30 | 13 | 36 | 50 | M6 | M5 | M5 | 10.9 | M6 | G1/8 | 79.2 | 31.5 | 20 | 0.8 |
| DAPS-0015-...-F04 | | | | | | 42 | - | - | | | | | | | | | |
| DAPS-0030-...-F04 | 70.4 | 32.7 | 37.7 | | 13 | 42 | - | - | M5 | | 14.5 | | | 90.4 | 37.7 | 20 | - |
| DAPS-0030-...-F0507 | | | | | | 50 | 70 | M8 | M6 | | | | | | | | |
| DAPS-0053-...-F0507 | 83.3 | 38.5 | 44.8 | | 17 | 50 | 70 | M8 | M6 | | 16.2 | | | 103.3 | 44.8 | 20 | - |
| DAPS-0090-...-F0710 | 107.5 | 51 | 56.5 | | 22 | 70 | 102 | M10 | M8 | | 20.2 | | | 137.5 | 56.5 | 30 | - |
| DAPS-0120-...-F0710 | 111.1 | 51 | 60.1 | | 22 | 70 | 102 | M10 | M8 | | 22.5 | | | 141.1 | 60.1 | 30 | - |
| DAPS-0180-...-F0710 | 118 | 56 | 62 | | 22 | 70 | 102 | M10 | M8 | | 25.5 | | | 148 | 62 | 30 | - |

| Size | H6 | H7 | H8 | L1 | | L2 | L3 | T1 | T2 | T3 | T4 | T5 | T6 | T7 | ≈ 1 | ≈ 2 |
|---------------------|-----|----|----|-------|--------|----|----|----|----|----|------|----|----|----|-----|-----|
| | | | | RS1 | RS ... | | | | | | | | | | | |
| DAPS-0015-...-F0305 | 3.2 | 18 | 14 | 203.8 | 233.3 | 80 | 24 | 9 | 8 | 10 | 13.2 | 6 | 7 | 4 | 11 | 9 |
| DAPS-0015-...-F04 | | | | | | | | - | | | | | | | | |
| DAPS-0030-...-F04 | 4 | | | 228.5 | 259 | | | - | 8 | 13 | 16.5 | | | | 14 | 10 |
| DAPS-0030-...-F0507 | | | | | | | | 12 | 9 | | | | | | | |
| DAPS-0053-...-F0507 | 4 | | | 270.7 | 304.3 | | | 12 | 9 | 13 | 19.3 | | | | 17 | 12 |
| DAPS-0090-...-F0710 | 4 | | | 341.8 | 393.7 | | | 15 | 12 | 16 | 24.8 | | | | 22 | 15 |
| DAPS-0120-...-F0710 | 4 | | | 361.6 | 409.6 | | | 15 | 12 | 17 | 24.8 | | | | 22 | 15 |
| DAPS-0180-...-F0710 | 4 | | | 406.6 | 474 | | | 15 | 12 | 19 | 24.3 | | | | 22 | 19 |

Quarter turn actuators DAPS, single-acting

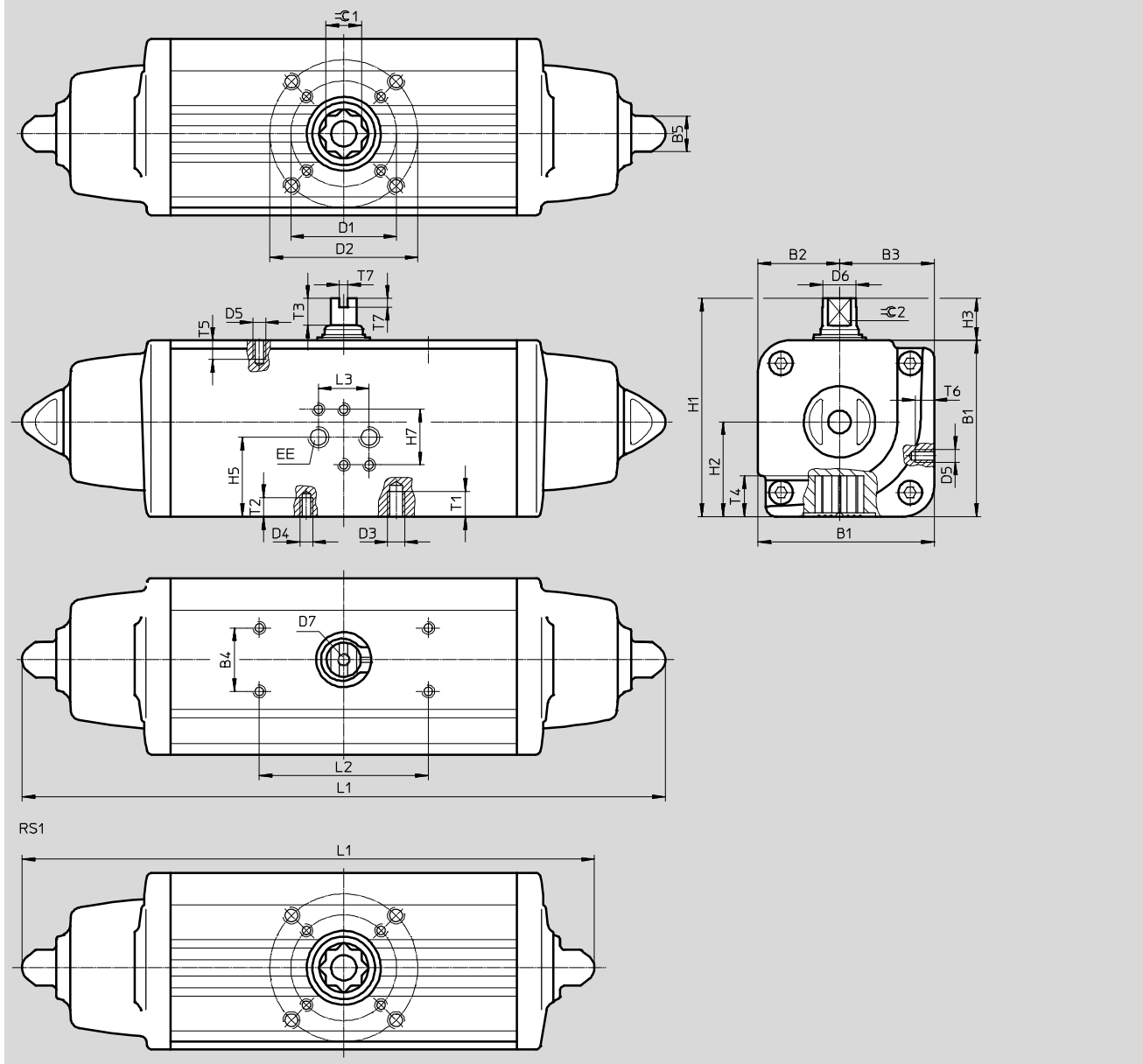
Technical data

FESTO

Dimensions

Download CAD data → www.festo.com

Size 0015 ... 0960



Quarter turn actuators DAPS, single-acting

Technical data

| Size | B1 | B2 | B3 | B4 | B5 | D1 ∅ ±0.1 | D2 ∅ ±0.1 | D3 | D4 | D5 | D6 ∅ | D7 | EE | H1 | H2 | H3 |
|---------------------|-------|------|------|----|----|-----------------|-----------------|-----|----|----|---------|----|------|------|------|----|
| DAPS-0015-...-F0305 | 59.2 | 27.7 | 31.5 | 30 | 13 | 36 | 50 | M6 | M5 | M5 | 10.9 | M6 | G1/8 | 79.2 | 31.5 | 20 |
| DAPS-0015-...-F04 | | | | | | 42 | - | - | | | | | | | | |
| DAPS-0030-...-F04 | 70.4 | 32.7 | 37.7 | | 13 | 42 | - | - | M5 | | | | | | | |
| DAPS-0030-...-F0507 | | | | | | 50 | 70 | M8 | M6 | | | | | | | |
| DAPS-0053-...-F0507 | 83.3 | 38.5 | 44.8 | | 17 | 50 | 70 | M8 | M6 | | 16.2 | | | | | |
| DAPS-0090-...-F0710 | 107.5 | 51 | 56.5 | | 22 | 70 | 102 | M10 | M8 | | 20.2 | | | | | |
| DAPS-0120-...-F0710 | 111.1 | 51 | 60.1 | | 22 | 70 | 102 | M10 | M8 | | 22.5 | | | | | |
| DAPS-0180-...-F0710 | 118 | 56 | 62 | | 22 | 70 | 102 | M10 | M8 | | 25.5 | | | | | |

| Size | H5 | H7 | L1 | | L2 | L3 | T1 | T2 | T3 | T4 | T5 | T6 | T7 | ≈C1 | ≈C2 |
|---------------------|------|----|-------|-------|----|----|----|----|----|------|----|----|----|-----|-----|
| | | | RS1 | RS... | | | | | | | | | | | |
| DAPS-0015-...-F0305 | 32.3 | 32 | 203.8 | 233.3 | 80 | 24 | 9 | 8 | 10 | 13.2 | 6 | 7 | 4 | 11 | 9 |
| DAPS-0015-...-F04 | | | | | | | - | | | | | | | | |
| DAPS-0030-...-F04 | 37.7 | | 228.5 | 259 | | | 12 | 9 | 13 | 16.5 | | | | 14 | 10 |
| DAPS-0030-...-F0507 | | | | | | | 12 | 9 | 13 | 19.3 | | | | 17 | 12 |
| DAPS-0053-...-F0507 | 44.8 | | 341.8 | 393.7 | | | 15 | 12 | 16 | 24.8 | | | | 22 | 15 |
| DAPS-0090-...-F0710 | 56.5 | | 361.6 | 409.6 | | | 15 | 12 | 17 | 24.8 | | | | 22 | 15 |
| DAPS-0120-...-F0710 | 60.1 | | 406.6 | 474 | | | 15 | 12 | 19 | 24.3 | | | | 22 | 19 |
| DAPS-0180-...-F0710 | 62 | | | | | | | | | | | | | | |

| Size | B1 | B2 | B3 | B4 | B5 | D1 ∅ | D2 ∅ | D3 | D4 | D5 | D6 ∅ | D7 | EE | H1 | H2 | H3 |
|---------------------|-------|------|-------|----|----|---------|---------|-----|-----|----|---------|----|------|-------|------|----|
| DAPS-0240-...-F1012 | 134.9 | 62 | 72.9 | 30 | 27 | 102 | 125 | M12 | M10 | M5 | 29 | M6 | G1/4 | 164.9 | 72.9 | 30 |
| DAPS-0360-...-F1012 | 148 | 69.5 | 78.5 | | 27 | 102 | 125 | M12 | M10 | | 31.8 | | | | | |
| DAPS-0480-...-F1012 | 168 | 74.5 | 93.5 | | 27 | 102 | 125 | M12 | M10 | | 36.5 | | | | | |
| DAPS-0480-...-F14 | | | | | | 140 | - | - | M16 | | | | | | | |
| DAPS-0720-...-F12 | 186 | 84.5 | 101.5 | | 36 | 125 | - | - | M12 | | 41 | | | | | |
| DAPS-0720-...-F14 | | | | | | 140 | - | - | M16 | | | | | | | |
| DAPS-0960-...-F14 | 207.7 | 93 | 114.7 | | 36 | 140 | - | - | M16 | | 46 | | | | | |
| DAPS-0960-...-F1216 | | | | | | 125 | 165 | M20 | M12 | | | | | | | |

| Size | H5 | H7 | L1 | | L2 | L3 | T1 | T2 | T3 | T4 | T5 | T6 | T7 | ≈C1 | ≈C2 |
|---------------------|------|----|-------|-------|----|----|----|----|------|------|----|----|----|-----|-----|
| | | | RS1 | RS... | | | | | | | | | | | |
| DAPS-0240-...-F1012 | 57.4 | 32 | 454 | 520.5 | 80 | 24 | 18 | 15 | 19 | 29.5 | 6 | 7 | 4 | 27 | 19 |
| DAPS-0360-...-F1012 | 61.5 | | 523 | 613 | | | 18 | 15 | 19.5 | 29.5 | | | | 27 | 22 |
| DAPS-0480-...-F1012 | 78 | | 563.8 | 648.2 | | | 18 | 15 | 19.5 | 38.5 | | | | 36 | 24 |
| DAPS-0480-...-F14 | | | | | | | - | 24 | | | | | | | |
| DAPS-0720-...-F12 | 86.5 | | 683 | 798 | | | - | 18 | 19.5 | 38.5 | | | | 36 | 27 |
| DAPS-0720-...-F14 | | | | | | | - | 24 | | | | | | | |
| DAPS-0960-...-F14 | 99.2 | | 714.4 | 828 | | | - | 24 | 18.5 | 48.5 | | | | 46 | 32 |
| DAPS-0960-...-F1216 | | | | | | | 30 | 18 | | | | | | | |

Quarter turn actuators DAPS, single-acting

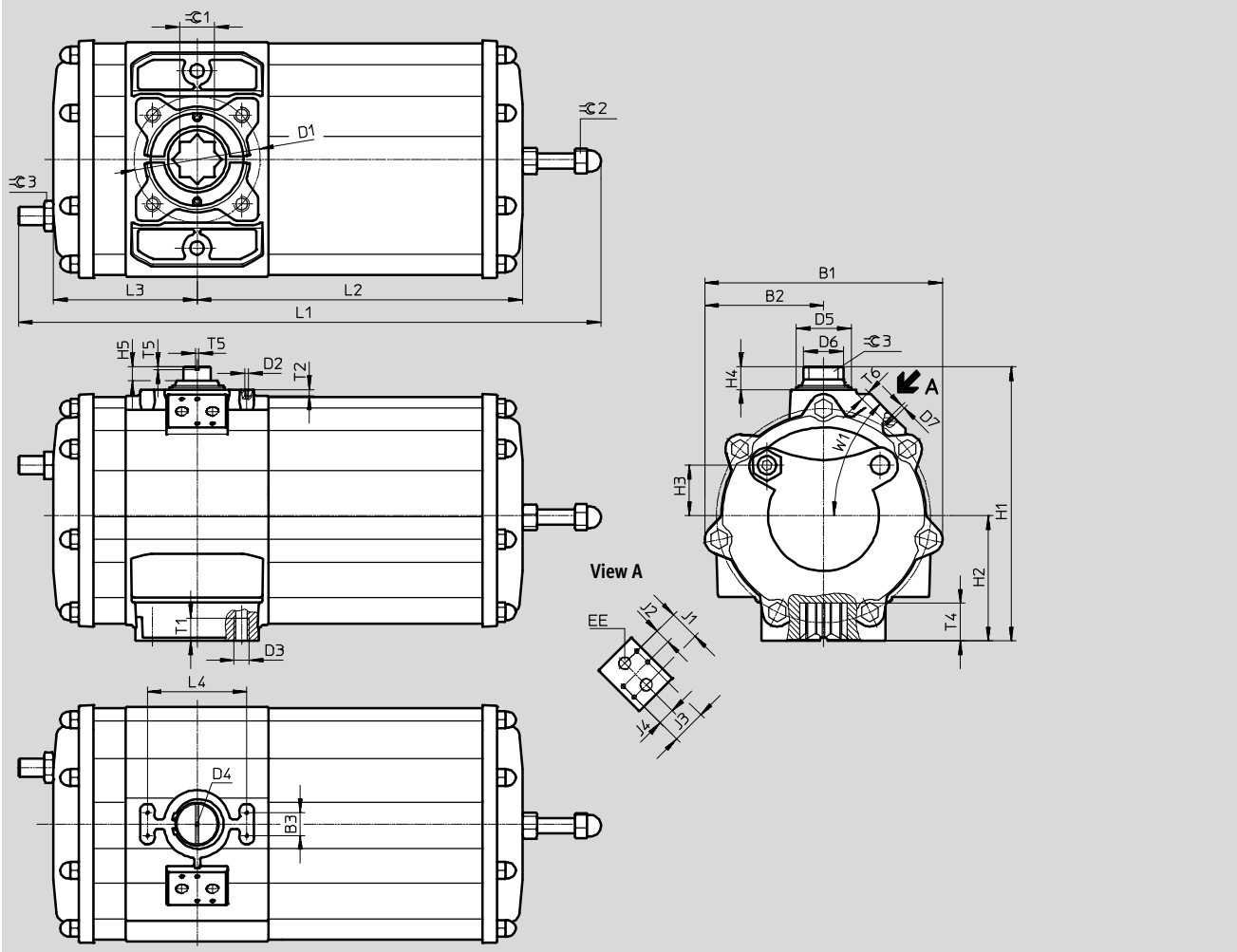
Technical data



Dimensions

Download CAD data → www.festo.com

Size 1440



| Size | B1 | B2 | B3 | D1 | D2 | D3 | D4 | D5 | D6 | D7 | EE | H1 | H2 | H3 | H4 | H5 | J1 |
|---------------|-----|-----|----|-----|----|-----|----|----|----|----|------|-----|-----|----|----|----|----|
| DAPS-1440-... | 311 | 155 | 30 | 165 | M5 | M20 | M6 | 72 | 52 | M6 | G3/8 | 359 | 164 | 66 | 30 | 18 | 40 |

| Size | J2 | J3 | J4 | L1 | L2 | L3 | L4 | T1 | T2 | T4 | T5 | T6 | W1 | $\varnothing 1$ | $\varnothing 2$ | $\varnothing 3$ |
|---------------|----|----|------|-----|-----|-----|-----|----|----|------|----|----|-----|-----------------|-----------------|-----------------|
| DAPS-1440-... | 20 | 45 | 22.5 | 834 | 498 | 188 | 130 | 30 | 8 | 49.5 | 4 | 10 | 45° | 46 | 30 | 36 |

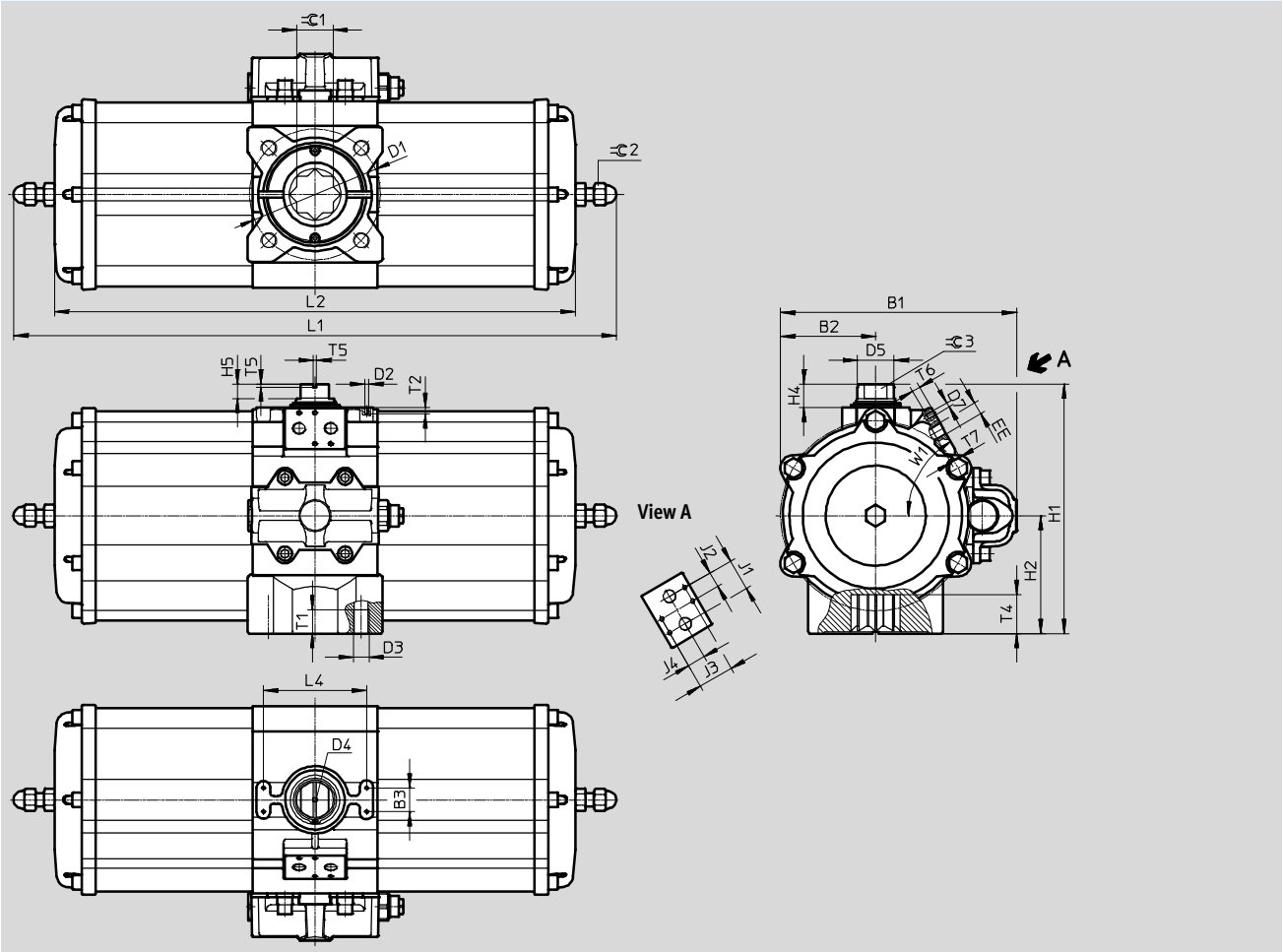
Quarter turn actuators DAPS, single-acting

Technical data

Dimensions

Download CAD data → www.festo.com

Size 1920



| Size | B1 | B2 | B3 | D1 ∅ | D2 | D3 | D4 | D5 ∅ | D7 | EE | H1 | H2 | H4 | H5 | J1 | J2 |
|---------------|-----|-----|----|---------|----|-----|----|---------|----|------|-----|-------|----|------|----|----|
| DAPS-1920-... | 298 | 120 | 30 | 165 | M5 | M20 | M6 | 46 | M6 | G3/8 | 314 | 148.5 | 30 | 18.5 | 40 | 20 |

| Size | J3 | J4 | L1 ±3 | L2 | L4 | T1 | T2 | T4 ±1 | T5 | T6 | T7 | W1 | ≅1 | ≅2 | ≅3 |
|---------------|----|------|----------|-----|-----|----|----|----------|----|----|----|-----|----|----|----|
| DAPS-1920-... | 45 | 22.5 | 1001 | 857 | 130 | 30 | 8 | 49 | 4 | 10 | 13 | 60° | 46 | 24 | 32 |

Quarter turn actuators DAPS, single-acting

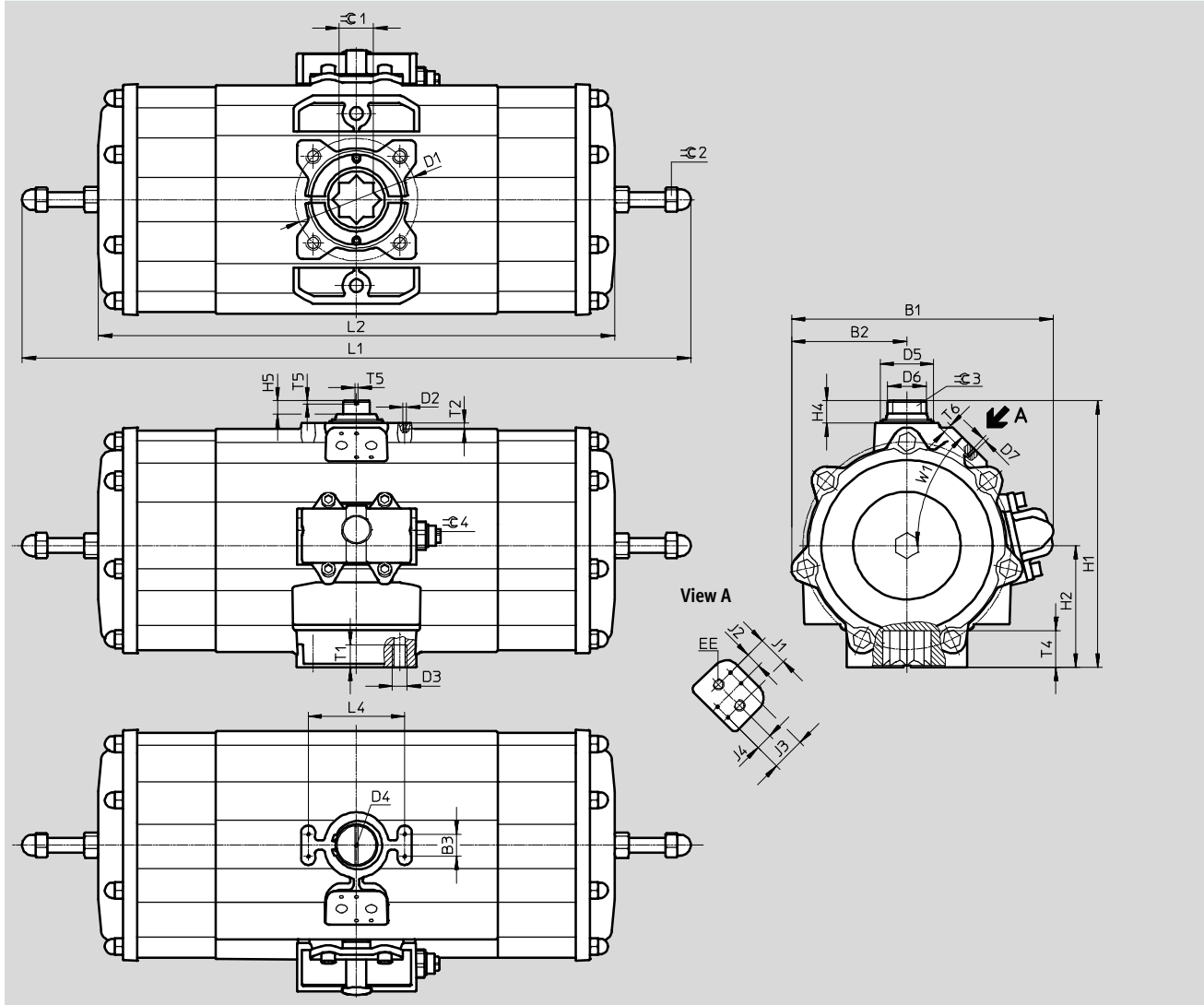
Technical data

FESTO

Dimensions

Size 2880

Download CAD data → www.festo.com



| Size | B1 | B2 | B3 | D1 ∅ | D2 | D3 | D4 | D5 ∅ | D6 ∅ | D7 | EE | H1 | H2 | H4 | H5 | J1 |
|---------------|-----|-----|----|---------|----|-----|----|---------|---------|----|------|-----|-----|----|----|----|
| DAPS-2880-... | 361 | 155 | 30 | 165 | M5 | M20 | M6 | 72 | 52 | M6 | G3/8 | 359 | 164 | 30 | 18 | 40 |

| Size | J2 | J3 | J4 | L1 ±3 | L2 | L4 | T1 | T2 | T4 | T5 | T6 | W1 | ≡1 | ≡2 | ≡3 | ≡4 |
|---------------|----|----|------|----------|-----|-----|----|----|------|----|----|-----|----|----|----|----|
| DAPS-2880-... | 20 | 45 | 22.5 | 1201 | 996 | 130 | 30 | 8 | 49.5 | 4 | 10 | 45° | 46 | 30 | 36 | 15 |

Quarter turn actuators DAPS, single-acting

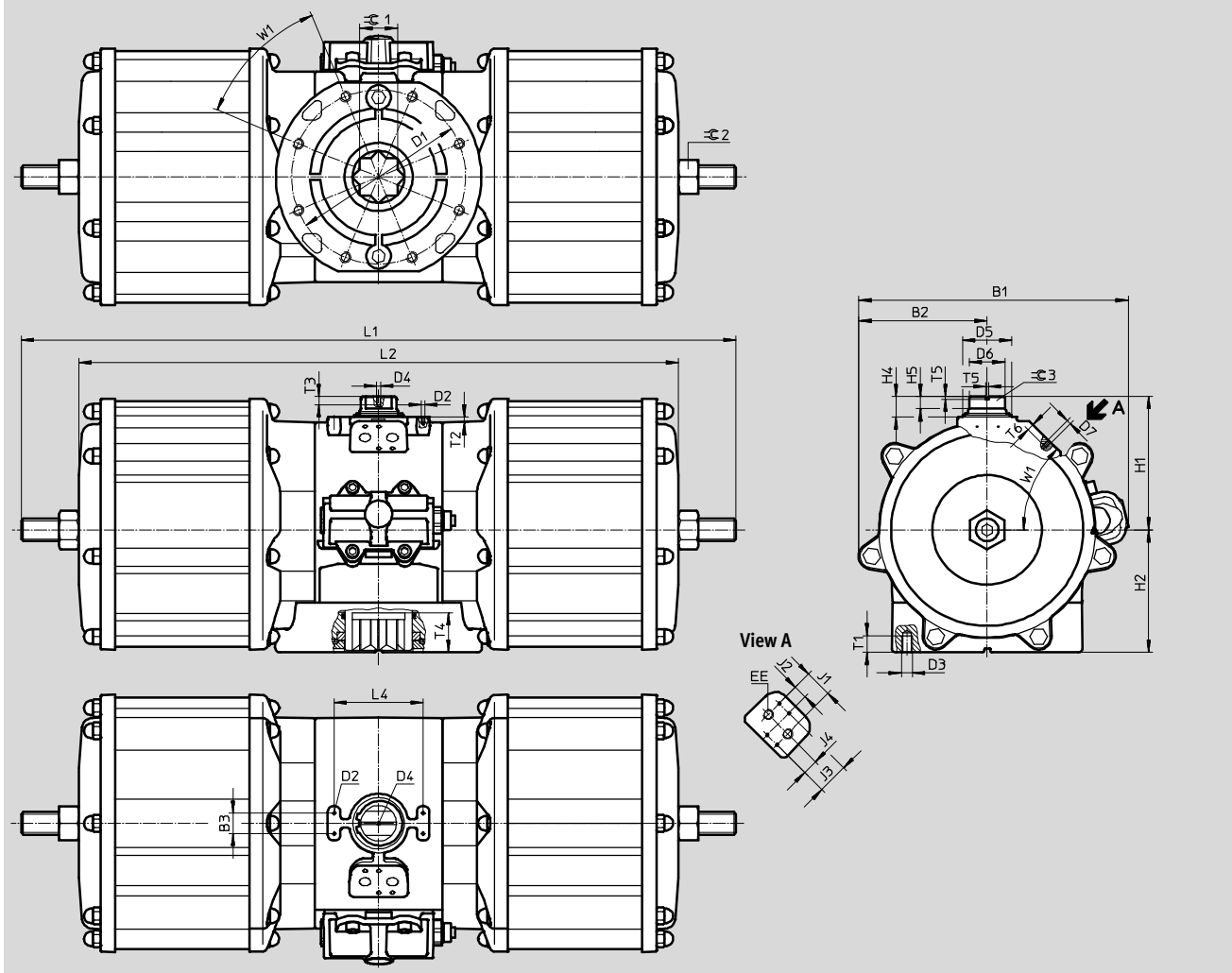
Technical data



Dimensions

Download CAD data → www.festo.com

Size 4000



| Size | B1 | B2 | B3 | D1 ∅ | D2 | D3 | D4 | D5 ∅ | D6 ∅ | D7 | EE | H1 | H2 | H4 | H5 | J1 |
|---------------|-----|-----|----|---------|----|-----|----|---------|---------|----|------|-----|-----|----|----|----|
| DAPS-4000-... | 394 | 188 | 30 | 254 | M5 | M16 | M6 | 72 | 52 | M6 | G3/8 | 195 | 179 | 30 | 18 | 40 |

| Size | J2 | J3 | J4 | L1 | L2 | L4 | T1 | T2 | T3 | T4 | T5 | T6 | W1 | $\varnothing 1$ | $\varnothing 2$ | $\varnothing 3$ |
|---------------|----|----|------|------|------|-----|----|----|----|----|----|----|-----|-----------------|-----------------|-----------------|
| DAPS-4000-... | 20 | 45 | 22.5 | 1370 | 1184 | 130 | 24 | 8 | 12 | 58 | 4 | 10 | 45° | 55 | 50 | 36 |

Quarter turn actuators DAPS, single-acting



Technical data

| Ordering data | | Ordering data | |
|---------------|-------------------------|---------------|-------------------------|
| Part No. | Type | Part No. | Type |
| Size 0015 | | Size 0480 | |
| 533427 | DAPS-0015-090-RS1-F0305 | 533455 | DAPS-0480-090-RS1-F1012 |
| 533480 | DAPS-0015-090-RS1-F04 | 533488 | DAPS-0480-090-RS1-F14 |
| 533428 | DAPS-0015-090-RS2-F0305 | 533456 | DAPS-0480-090-RS2-F1012 |
| 533481 | DAPS-0015-090-RS2-F04 | 533489 | DAPS-0480-090-RS2-F14 |
| 533429 | DAPS-0015-090-RS3-F0305 | 533457 | DAPS-0480-090-RS3-F1012 |
| 533482 | DAPS-0015-090-RS3-F04 | 533490 | DAPS-0480-090-RS3-F14 |
| 533430 | DAPS-0015-090-RS4-F0305 | 533458 | DAPS-0480-090-RS4-F1012 |
| 533483 | DAPS-0015-090-RS4-F04 | 533491 | DAPS-0480-090-RS4-F14 |
| Size 0030 | | Size 0720 | |
| 533431 | DAPS-0030-090-RS1-F04 | 549677 | DAPS-0720-090-RS1-F12 |
| 533484 | DAPS-0030-090-RS1-F0507 | 549681 | DAPS-0720-090-RS1-F14 |
| 533432 | DAPS-0030-090-RS2-F04 | 549678 | DAPS-0720-090-RS2-F12 |
| 533485 | DAPS-0030-090-RS2-F0507 | 549682 | DAPS-0720-090-RS2-F14 |
| 533433 | DAPS-0030-090-RS3-F04 | 549679 | DAPS-0720-090-RS3-F12 |
| 533486 | DAPS-0030-090-RS3-F0507 | 549683 | DAPS-0720-090-RS3-F14 |
| 533434 | DAPS-0030-090-RS4-F04 | 549680 | DAPS-0720-090-RS4-F12 |
| 533487 | DAPS-0030-090-RS4-F0507 | 549684 | DAPS-0720-090-RS4-F14 |
| Size 0053 | | Size 0960 | |
| 533435 | DAPS-0053-090-RS1-F0507 | 533459 | DAPS-0960-090-RS1-F14 |
| 533436 | DAPS-0053-090-RS2-F0507 | 533492 | DAPS-0960-090-RS1-F1216 |
| 533437 | DAPS-0053-090-RS3-F0507 | 533460 | DAPS-0960-090-RS2-F14 |
| 533438 | DAPS-0053-090-RS4-F0507 | 533493 | DAPS-0960-090-RS2-F1216 |
| Size 0090 | | Size 1440 | |
| 533439 | DAPS-0090-090-RS1-F0710 | 549685 | DAPS-1440-090-RS1-F16 |
| 533440 | DAPS-0090-090-RS2-F0710 | 549686 | DAPS-1440-090-RS2-F16 |
| 533441 | DAPS-0090-090-RS3-F0710 | 549687 | DAPS-1440-090-RS3-F16 |
| 533442 | DAPS-0090-090-RS4-F0710 | 549688 | DAPS-1440-090-RS4-F16 |
| Size 0120 | | Size 1920 | |
| 533443 | DAPS-0120-090-RS1-F0710 | 549689 | DAPS-1920-090-RS1-F16 |
| 533444 | DAPS-0120-090-RS2-F0710 | 549690 | DAPS-1920-090-RS2-F16 |
| 533445 | DAPS-0120-090-RS3-F0710 | 549691 | DAPS-1920-090-RS3-F16 |
| 533446 | DAPS-0120-090-RS4-F0710 | 549692 | DAPS-1920-090-RS4-F16 |
| Size 0180 | | Size 2880 | |
| 533447 | DAPS-0180-090-RS1-F0710 | 549693 | DAPS-2880-090-RS1-F16 |
| 533448 | DAPS-0180-090-RS2-F0710 | 549694 | DAPS-2880-090-RS2-F16 |
| 533449 | DAPS-0180-090-RS3-F0710 | 549695 | DAPS-2880-090-RS3-F16 |
| 533450 | DAPS-0180-090-RS4-F0710 | 549696 | DAPS-2880-090-RS4-F16 |
| Size 0240 | | Size 4000 | |
| 533451 | DAPS-0240-090-RS1-F1012 | 560856 | DAPS-4000-090-RS1-F25 |
| 533452 | DAPS-0240-090-RS2-F1012 | 561694 | DAPS-4000-090-RS2-F25 |
| 533453 | DAPS-0240-090-RS3-F1012 | 561695 | DAPS-4000-090-RS3-F25 |
| 533454 | DAPS-0240-090-RS4-F1012 | 561696 | DAPS-4000-090-RS4-F25 |
| Size 0360 | | | |
| 549673 | DAPS-0360-090-RS1-F1012 | | |
| 549674 | DAPS-0360-090-RS2-F1012 | | |
| 549675 | DAPS-0360-090-RS3-F1012 | | |
| 549676 | DAPS-0360-090-RS4-F1012 | | |

Quarter turn actuators DAPS, single-acting

Technical data



Ordering data – Wearing parts kits

| Part No. | Type |
|---------------|------------------------|
| Size 0015 | |
| 397471 | DAPS-0030/S0015 |
| Size 0030 | |
| 397472 | DAPS-0060/S0030 |
| Size 0053 | |
| 397473 | DAPS-0106/S0053 |
| Size 0090 | |
| 397474 | DAPS-0180/S0090 |
| Size 0120 | |
| 397475 | DAPS-0240/S0120 |

| Part No. | Type |
|---------------|------------------------|
| Size 0180 | |
| 397476 | DAPS-0360/S0180 |
| Size 0240 | |
| 397477 | DAPS-0480/S0240 |
| Size 0480 | |
| 397478 | DAPS-0960/S0480 |
| Size 0960 | |
| 397479 | DAPS-1920/S0960 |

Ordering data – Drives for variant T4

| Part No. | Type |
|----------------|-----------------------------------|
| Size 0015 | |
| 8030613 | DAPS-0015-090-RS4-F0305-T4 |
| 8030614 | DAPS-0015-090-RS4-F04-T4 |
| Size 0030 | |
| 8030615 | DAPS-0030-090-RS4-F04-T4 |
| 8030616 | DAPS-0030-090-RS4-F0507-T4 |
| Size 0053 | |
| 8030617 | DAPS-0053-090-RS4-F0507-T4 |
| Size 0090 | |
| 8030618 | DAPS-0090-090-RS4-F0710-T4 |
| Size 0120 | |
| 8030619 | DAPS-0120-090-RS4-F0710-T4 |

| Part No. | Type |
|----------------|-----------------------------------|
| Size 0180 | |
| 8030620 | DAPS-0180-090-RS4-F0710-T4 |
| Size 0240 | |
| 8030621 | DAPS-0240-090-RS4-F1012-T4 |
| Size 0360 | |
| 8030622 | DAPS-0360-090-RS4-F1012-T4 |
| Size 0480 | |
| 8030623 | DAPS-0480-090-RS4-F1012-T4 |
| 8030624 | DAPS-0480-090-RS4-F14-T4 |

Quarter turn actuators DAPS, single-acting

Technical data

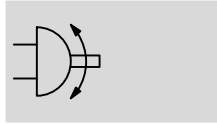
FESTO

| Ordering data – Drives for variant T6 | | | |
|---------------------------------------|----------------------------|-----------|----------------------------|
| Part No. | Type | Part No. | Type |
| Size 0015 | | Size 0480 | |
| 553191 | DAPS-0015-090-RS2-F0305-T6 | 553201 | DAPS-0480-090-RS2-F12-T6 |
| 553192 | DAPS-0015-090-RS2-F04-T6 | 553202 | DAPS-0480-090-RS2-F14-T6 |
| 553210 | DAPS-0015-090-RS3-F0305-T6 | 553220 | DAPS-0480-090-RS3-F12-T6 |
| 553211 | DAPS-0015-090-RS3-F04-T6 | 553221 | DAPS-0480-090-RS3-F14-T6 |
| 553229 | DAPS-0015-090-RS4-F0305-T6 | 553239 | DAPS-0480-090-RS4-F12-T6 |
| 553230 | DAPS-0015-090-RS4-F04-T6 | 553240 | DAPS-0480-090-RS4-F14-T6 |
| Size 0030 | | Size 0720 | |
| 553193 | DAPS-0030-090-RS2-F04-T6 | 553203 | DAPS-0720-090-RS2-F12-T6 |
| 553194 | DAPS-0030-090-RS2-F0507-T6 | 553204 | DAPS-0720-090-RS2-F14-T6 |
| 553212 | DAPS-0030-090-RS3-F04-T6 | 553222 | DAPS-0720-090-RS3-F12-T6 |
| 553213 | DAPS-0030-090-RS3-F0507-T6 | 553223 | DAPS-0720-090-RS3-F14-T6 |
| 553231 | DAPS-0030-090-RS4-F04-T6 | 553241 | DAPS-0720-090-RS4-F12-T6 |
| 553232 | DAPS-0030-090-RS4-F0507-T6 | 553242 | DAPS-0720-090-RS4-F14-T6 |
| Size 0053 | | Size 0960 | |
| 553195 | DAPS-0053-090-RS2-F0507-T6 | 553205 | DAPS-0960-090-RS2-F14-T6 |
| 553214 | DAPS-0053-090-RS3-F0507-T6 | 553206 | DAPS-0960-090-RS2-F1216-T6 |
| 553233 | DAPS-0053-090-RS4-F0507-T6 | 553224 | DAPS-0960-090-RS3-F14-T6 |
| Size 0090 | | 553225 | DAPS-0960-090-RS3-F1216-T6 |
| 553196 | DAPS-0090-090-RS2-F0710-T6 | 553243 | DAPS-0960-090-RS4-F14-T6 |
| 553215 | DAPS-0090-090-RS3-F0710-T6 | 553244 | DAPS-0960-090-RS4-F1216-T6 |
| 553234 | DAPS-0090-090-RS4-F0710-T6 | Size 1440 | |
| Size 0120 | | 553207 | DAPS-1440-090-RS2-F16-T6 |
| 553197 | DAPS-0120-090-RS2-F0710-T6 | 553245 | DAPS-1440-090-RS4-F16-T6 |
| 553216 | DAPS-0120-090-RS3-F0710-T6 | Size 1920 | |
| 553235 | DAPS-0120-090-RS4-F0710-T6 | 553208 | DAPS-1920-090-RS2-F16-T6 |
| Size 0180 | | 553227 | DAPS-1920-090-RS3-F16-T6 |
| 553198 | DAPS-0180-090-RS2-F0710-T6 | 553246 | DAPS-1920-090-RS4-F16-T6 |
| 553217 | DAPS-0180-090-RS3-F0710-T6 | Size 2880 | |
| 553236 | DAPS-0180-090-RS4-F0710-T6 | 553209 | DAPS-2880-090-RS2-F16-T6 |
| Size 0240 | | 553228 | DAPS-2880-090-RS3-F16-T6 |
| 553199 | DAPS-0240-090-RS2-F1012-T6 | 553247 | DAPS-2880-090-RS4-F16-T6 |
| 553218 | DAPS-0240-090-RS3-F1012-T6 | | |
| 553237 | DAPS-0240-090-RS4-F1012-T6 | | |
| Size 0360 | | | |
| 553200 | DAPS-0360-090-RS2-F1012-T6 | | |
| 553219 | DAPS-0360-090-RS3-F1012-T6 | | |
| 553238 | DAPS-0360-090-RS4-F1012-T6 | | |

Quarter turn actuators DAPS CR, double-acting

Technical data

Function



Swivel angle
0 ... 90°

Size
0015 ... 0480

Torque
15 ... 480 Nm



| General technical data | | | | | | |
|------------------------|--------------------|------|------|------|------|------|
| Size | 0015 | 0030 | 0060 | 0120 | 0240 | 0480 |
| Pneumatic connection | G1/8 | | | | | |
| Design | Scotch yoke system | | | | | |
| Mode of operation | Double-acting | | | | | |
| Mounting position | Any | | | | | |
| Position sensing | None | | | | | |
| Cushioning | No cushioning | | | | | |
| Swivel angle | [°] | 90 | | | | |
| Closing direction | Closes to right | | | | | |

| Operating and environmental conditions | | | | | | |
|--|--|-------------|----------------------|------|------|------|
| Size | 0015 | 0030 | 0060 | 0120 | 0240 | 0480 |
| Operating pressure | [bar] | 2.5 ... 8.4 | | | | |
| Nominal operating pressure | [bar] | 5.6 | | | | |
| Operating medium | Compressed air to ISO 8573-1:2010 [7:4:4] | | | | | |
| Note on operating/pilot medium | Lubricated operation possible (in which case lubricated operation will always be required) | | | | | |
| Ambient temperature | [°C] | -20 ... +80 | | | | |
| Corrosion resistance class CRC ¹⁾ | 3 | | | | | |
| Connection to process valve as per standard | - | | ISO 5211 | | | |
| Valve connection as per standard | - | | VDI/VDE 3845 (NAMUR) | | | |
| Safety Integrity Level (SIL) | Up to SIL 2 High Demand mode | | | | | |
| | Up to SIL 2 Low Demand mode | | | | | |

1) Corrosion resistance class CRC 3 to Festo standard FN 940070

High corrosion stress. Outdoor exposure under moderate corrosive conditions. External visible parts with primarily functional requirements for the surface and which are in direct contact with a normal industrial environment.

| ATEX | |
|---|---|
| ATEX category for gas | II 2G |
| Explosion ignition protection type for gas | c TX X |
| ATEX category for dust | II 2D |
| Explosion ignition protection type for dust | c TX X |
| Explosion-proof temperature rating | -20 °C ≤ Ta ≤ +60 °C |
| CE marking (see declaration of conformity) | To EU Explosion Protection Directive (ATEX) |

Quarter turn actuators DAPS CR, double-acting

Technical data


| Air consumption [l/cycle 0°-90°-0°] at 6 bar | | | |
|--|-----|-----------|------|
| Size | | Size | |
| DAPS-0015 | 0.5 | DAPS-0120 | 3.6 |
| DAPS-0030 | 0.9 | DAPS-0240 | 7.1 |
| DAPS-0060 | 1.7 | DAPS-0480 | 14.3 |

| Weight [g] | | | |
|------------|------|-----------|------|
| Size | | Size | |
| DAPS-0015 | 800 | DAPS-0120 | 3300 |
| DAPS-0030 | 1200 | DAPS-0240 | 5600 |
| DAPS-0060 | 1800 | DAPS-0480 | 9500 |

| Materials | | |
|------------------------|----------------------------|-----------------|
| Quarter turn actuators | | Material number |
| Housing | High-alloy stainless steel | 1.4408 |
| Cover | High-alloy stainless steel | 1.4408 |
| Shaft | High-alloy stainless steel | 1.4301 |
| External screws | High-alloy stainless steel | - |
| Seals | FPM, NBR, PUR | - |
| Note on materials | Conforms to RoHS | - |

| Actual torque [Nm] as a function of operating pressure [bar] and swivel angle [°] | | | | | | | | | |
|---|------------------|--------------------------|-------|-------|-------|------|-------|-------|-------|
| Size | Swivel angle [°] | Operating pressure [bar] | | | | | | | |
| | | 2.5 | 3 | 4 | 5 | 5.6 | 6 | 7 | 8 |
| DAPS-0015 | 0 | 6.7 | 8 | 10.7 | 13.4 | 15 | 16.1 | 18.8 | 21.4 |
| | 50 | 3.3 | 4 | 5.4 | 6.7 | 7.5 | 8 | 9.4 | 10.7 |
| | 90 | 5 | 6.1 | 8.1 | 10.1 | 11.3 | 12.1 | 14.1 | 16.1 |
| DAPS-0030 | 0 | 13.4 | 16.1 | 21.4 | 26.8 | 30 | 32.1 | 37.5 | 42.9 |
| | 50 | 6.7 | 8 | 10.7 | 13.4 | 15 | 16.1 | 18.8 | 21.4 |
| | 90 | 10 | 12.1 | 16.1 | 20.1 | 22.5 | 24.1 | 28.1 | 32.1 |
| DAPS-0060 | 0 | 26.8 | 32.1 | 42.9 | 53.6 | 60 | 64.3 | 75 | 85.7 |
| | 50 | 13.4 | 16.1 | 21.4 | 26.8 | 30 | 32.1 | 37.5 | 42.9 |
| | 90 | 20.1 | 24.1 | 32.1 | 40.2 | 45 | 48.2 | 56.3 | 64.3 |
| DAPS-0120 | 0 | 53.6 | 64.3 | 85.7 | 107.1 | 120 | 128.6 | 150 | 171.4 |
| | 50 | 26.8 | 32.1 | 42.9 | 53.6 | 60 | 64.3 | 75 | 85.7 |
| | 90 | 40.2 | 48.2 | 64.3 | 80.4 | 90 | 96.4 | 112.5 | 128.6 |
| DAPS-0240 | 0 | 107.1 | 128.6 | 171.4 | 214.3 | 240 | 257.1 | 300 | 342.9 |
| | 50 | 53.6 | 64.3 | 85.7 | 107.1 | 120 | 128.6 | 150 | 171.4 |
| | 90 | 80.4 | 96.4 | 128.6 | 160.7 | 180 | 192.9 | 225 | 257.1 |
| DAPS-0480 | 0 | 214.3 | 257.1 | 342.9 | 428.6 | 480 | 514.3 | 600 | 685.7 |
| | 50 | 107.1 | 128.6 | 171.4 | 214.3 | 240 | 257.1 | 300 | 342.9 |
| | 90 | 160.7 | 192.9 | 257.1 | 321.4 | 360 | 385.7 | 450 | 514.3 |

Torque for size at 5.6 bar and swivel angle 0°

 Note

The operating torque of the drive must not be higher than the maximum permissible torque listed in ISO 5211, with reference to the size of the mounting flange and of the coupling.

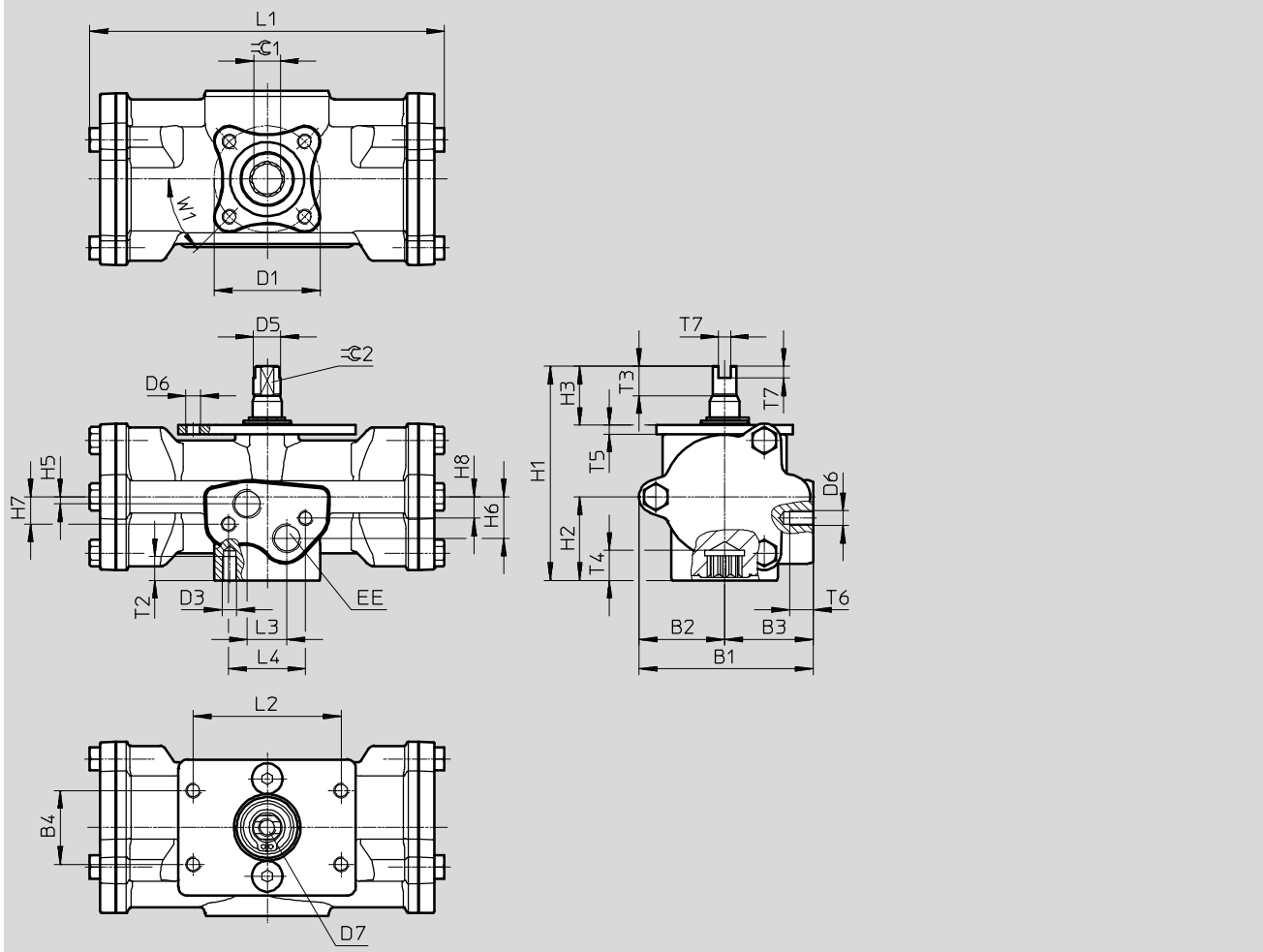
Quarter turn actuators DAPS CR, double-acting

Technical data

Dimensions

Download CAD data → www.festo.com

DAPS-...-090-R-F03-CR



| Size | B1 | B2 | B3 | B4 | D1 Ø | D3 | D5 Ø | D6 | D7 | EE | H1 | H2 | H3 | H5 | H6 |
|------------------------|------|------|----|----|---------|----|---------|----|----|------|------|------|----|-----|----|
| DAPS-0015-090-R-F03-CR | 59 | 29 | 30 | 25 | 36 | M5 | 9.2 | M5 | M6 | G1/8 | 72.4 | 28.2 | 20 | 2.4 | 14 |
| DAPS-0030-090-R-F03-CR | 68.1 | 34.1 | 34 | 25 | 36 | M5 | 10.9 | M5 | M6 | G1/8 | 80.4 | 32.7 | 20 | 3 | 16 |

| Size | H7 | H8 | L1 ±2 | L2 | L3 | L4 | T2 | T3 | T4 ±0.4 | T5 | T6 | T7 | ≡C 1 H11 | ≡C 2 h11 | W1 |
|------------------------|------|-----|----------|----|------|----|----|----|------------|----|----|----|-------------|-------------|-----|
| DAPS-0015-090-R-F03-CR | 9.2 | 7.2 | 120 | 50 | 13.4 | 26 | 8 | 10 | 10.1 | 3 | 8 | 4 | 9 | 8 | 45° |
| DAPS-0030-090-R-F03-CR | 10.5 | 8.5 | 134.6 | 50 | 12 | 26 | 8 | 10 | 10.2 | 3 | 8 | 4 | 9 | 9 | 45° |

Quarter turn actuators DAPS CR, double-acting

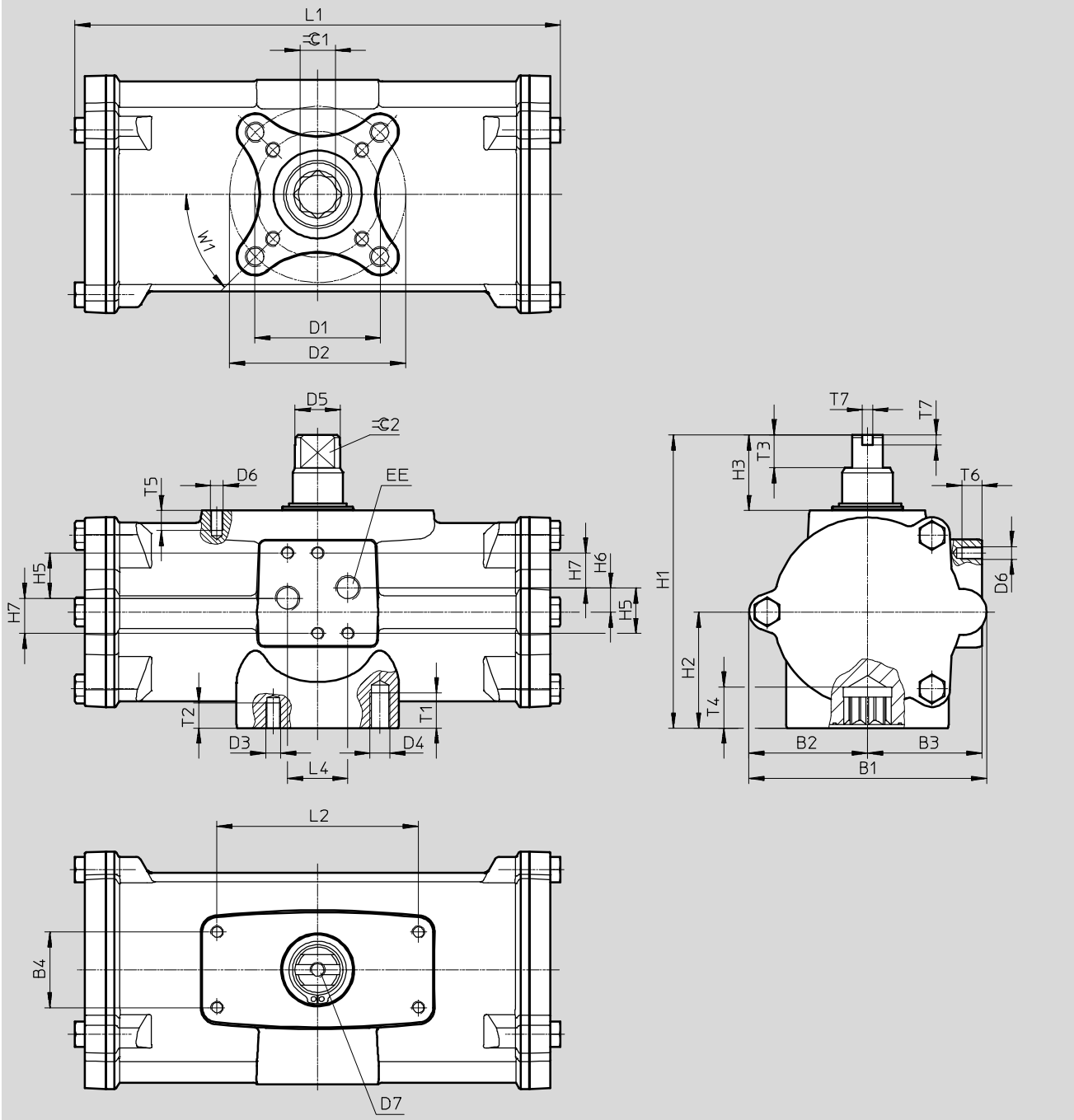
Technical data

FESTO

Dimensions

Download CAD data → www.festo.com

DAPS-...-090-R-...-CR



Quarter turn actuators DAPS CR, double-acting

Technical data

| Size | B1 | B2 | B3 | B4 | D1 ∅ ±0.1 | D2 ∅ ±0.1 | D3 | D4 | D5 ∅ | D6 | D7 | EE | H1 | H2 | H3 | H5 |
|--------------------------|-------|------|------|----|-----------------|-----------------|----|-----|---------|----|----|------|-------|------|----|----|
| DAPS-0060-...-R-F0305-CR | 80.3 | 41.1 | 39.2 | 25 | 36 | 50 | M5 | M6 | 14.5 | M5 | M6 | G1/8 | 92.4 | 37.6 | 20 | 18 |
| DAPS-0120-...-R-F0507-CR | 94.4 | 47 | 45.5 | 30 | 50 | 70 | M6 | M8 | 18 | M5 | M6 | G1/8 | 116.5 | 46.1 | 30 | 18 |
| DAPS-240-...-R-F0507-CR | 117 | 60.2 | 54.5 | 30 | 50 | 70 | M6 | M8 | 22.5 | M5 | M6 | G1/8 | 136.4 | 56.1 | 30 | 18 |
| DAPS-480-...-R-F0710-CR | 139.7 | 71 | 67 | 30 | 70 | 102 | M8 | M10 | 29 | M5 | M6 | G1/8 | 160 | 68 | 30 | 18 |

| Size | H6 | H7 | L1 ±2 | L2 | L4 | T1 | T2 | T3 | T4 ±0.4 | T5 | T6 | T7 | ≈C 1 H11 | ≈C 2 h11 | W1 |
|--------------------------|-----|----|----------|----|----|----|----|----|------------|----|----|----|-------------|-------------|-----|
| DAPS-0060-...-R-F0305-CR | 9.6 | 14 | 158.4 | 50 | 24 | 10 | 8 | 13 | 12.1 | 8 | 8 | 4 | 11 | 10 | 45° |
| DAPS-0120-...-R-F0507-CR | 9.6 | 14 | 192.9 | 80 | 24 | 14 | 10 | 13 | 16.3 | 8 | 8 | 4 | 14 | 12 | 45° |
| DAPS-240-...-R-F0507-CR | 10 | 14 | 246.7 | 80 | 24 | 14 | 10 | 17 | 19.3 | 8 | 8 | 4 | 17 | 15 | 45° |
| DAPS-480-...-R-F0710-CR | 10 | 14 | 298.4 | 80 | 24 | 16 | 14 | 19 | 24.3 | 8 | 8 | 4 | 22 | 19 | 45° |

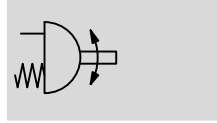
| Ordering data | | Ordering data | |
|---------------|--------------------------|---------------|--------------------------|
| Part No. | Type | Part No. | Type |
| Size 0015 | | Size 0120 | |
| 552869 | DAPS-0015-090-R-F03-CR | 552872 | DAPS-0120-090-R-F0507-CR |
| Size 0030 | | Size 0240 | |
| 552870 | DAPS-0030-090-R-F03-CR | 552873 | DAPS-0240-090-R-F0507-CR |
| Size 0060 | | Size 0480 | |
| 552871 | DAPS-0060-090-R-F0305-CR | 552874 | DAPS-0480-090-R-F0710-CR |


Quarter turn actuators DAPS CR, single-acting


FESTO


Technical data

Function



 Swivel angle
0 ... 90°

 Size
0015 ... 0240

 Torque
15 ... 240 Nm



| General technical data | | | | | |
|------------------------|--------------------|------|------|------|------|
| Size | 0015 | 0030 | 0060 | 0120 | 0240 |
| Pneumatic connection | G1/8 | | | | |
| Design | Scotch yoke system | | | | |
| Mode of operation | Single-acting | | | | |
| Mounting position | Any | | | | |
| Position sensing | None | | | | |
| Cushioning | No cushioning | | | | |
| Swivel angle | [°] | 90 | | | |
| Closing direction | Closes to right | | | | |

| Operating and environmental conditions | | | | | |
|--|--|----------------------|------|------|------|
| Size | 0015 | 0030 | 0060 | 0120 | 0240 |
| Nominal operating pressure | [bar] | 5.6 | | | |
| Operating medium | Compressed air to ISO 8573-1:2010 [7:4:4] | | | | |
| Note on operating/pilot medium | Lubricated operation possible (in which case lubricated operation will always be required) | | | | |
| Ambient temperature | [°C] | -20 ... +80 | | | |
| Corrosion resistance class CRC ¹⁾ | 3 | | | | |
| Connection to process valve as per standard | - | ISO 5211 | | | |
| Valve connection as per standard | - | VDI/VDE 3845 (NAMUR) | | | |
| Safety Integrity Level (SIL) | Up to SIL 2 High Demand mode Up to SIL 2 Low Demand mode | | | | |

1) Corrosion resistance class CRC 3 to Festo standard FN 940070
High corrosion stress. Outdoor exposure under moderate corrosive conditions. External visible parts with primarily functional requirements for the surface and which are in direct contact with a normal industrial environment.

| ATEX | |
|---|---|
| ATEX category for gas | II 2G |
| Explosion ignition protection type for gas | c TX X |
| ATEX category for dust | II 2D |
| Explosion ignition protection type for dust | c TX X |
| Explosion-proof temperature rating | -20 °C ≤ Ta ≤ +60 °C |
| CE marking (see declaration of conformity) | To EU Explosion Protection Directive (ATEX) |

Quarter turn actuators DAPS CR, single-acting

Technical data

| Pressure ranges [bar] | | | | | |
|----------------------------|---------------------|--------------------|----------------------------|---------------------|--------------------|
| Type | Connection pressure | Operating pressure | Type | Connection pressure | Operating pressure |
| Size 0015 | | | Size 0120 | | |
| DAPS-0015-090-RS1-F03-CR | 2.8 | 2.8 ... 8.4 | DAPS-0120-090-RS1-F0507-CR | 2.8 | 2.8 ... 8.4 |
| DAPS-0015-090-RS2-F03-CR | 3.5 | 3.5 ... 8.4 | DAPS-0120-090-RS2-F0507-CR | 3.5 | 3.5 ... 8.4 |
| DAPS-0015-090-RS3-F03-CR | 4.2 | 4.2 ... 8.4 | DAPS-0120-090-RS3-F0507-CR | 4.2 | 4.2 ... 8.4 |
| DAPS-0015-090-RS4-F03-CR | 5.6 | 5.6 ... 8.4 | DAPS-0120-090-RS4-F0507-CR | 5.6 | 5.6 ... 8.4 |
| Size 0030 | | | Size 0240 | | |
| DAPS-0030-090-RS1-F0305-CR | 2.8 | 2.8 ... 8.4 | DAPS-0240-090-RS1-F0710-CR | 2.8 | 2.8 ... 8.4 |
| DAPS-0030-090-RS2-F0305-CR | 3.5 | 3.5 ... 8.4 | DAPS-0240-090-RS2-F0710-CR | 3.5 | 3.5 ... 8.4 |
| DAPS-0030-090-RS3-F0305-CR | 4.2 | 4.2 ... 8.4 | DAPS-0240-090-RS3-F0710-CR | 4.2 | 4.2 ... 8.4 |
| DAPS-0030-090-RS4-F0305-CR | 5.6 | 5.6 ... 8.4 | DAPS-0240-090-RS4-F0710-CR | 5.6 | 5.6 ... 8.4 |
| Size 0060 | | | | | |
| DAPS-0060-090-RS1-F0507-CR | 2.8 | 2.8 ... 8.4 | | | |
| DAPS-0060-090-RS2-F0507-CR | 3.5 | 3.5 ... 8.4 | | | |
| DAPS-0060-090-RS3-F0507-CR | 4.2 | 4.2 ... 8.4 | | | |
| DAPS-0060-090-RS4-F0507-CR | 5.6 | 5.6 ... 8.4 | | | |

| Air consumption [l/cycle] at 6 bar | | | |
|------------------------------------|-----|-----------|-----|
| Size | | Size | |
| DAPS-0015 | 0.5 | DAPS-0120 | 4.2 |
| DAPS-0030 | 1 | DAPS-0240 | 8.3 |
| DAPS-0060 | 2 | | |


| Weight [g] | | | |
|------------|------|-----------|-------|
| Size | | Size | |
| DAPS-0015 | 1600 | DAPS-0120 | 7600 |
| DAPS-0030 | 2400 | DAPS-0240 | 12900 |
| DAPS-0060 | 4500 | | |

| Materials | | |
|------------------------|----------------------------|-----------------|
| Quarter turn actuators | | Material number |
| Housing | High-alloy stainless steel | 1.4408 |
| Cover | High-alloy stainless steel | 1.4408 |
| Shaft | High-alloy stainless steel | 1.4301 |
| External screws | High-alloy stainless steel | – |
| Seals | FPM, NBR, PUR | – |
| Note on materials | Conforms to RoHS | – |

Quarter turn actuators DAPS CR, single-acting

Technical data

| Actual torque [Nm] as a function of operating pressure [bar], spring strength and swivel angle [°] | | | | | | | | | | | | | | | | | | |
|--|--------------------|------|------|--------------------------|------|------|-----|-----|-----|-------|------|------|------|------|------|------|------|------|
| Spring strength | Spring torque [Nm] | | | Operating pressure [bar] | | | | | | | | | | | | | | |
| | | | | 2.5 | | | 2.8 | | | 3 | | | 3.5 | | | 4.2 | | |
| | 0° | 50° | 90° | 0° | 50° | 90° | 0° | 50° | 90° | 0° | 50° | 90° | 0° | 50° | 90° | 0° | 50° | 90° |
| DAPS-0015 | | | | | | | | | | | | | | | | | | |
| 1 | 5.0 | 3.7 | 7.5 | 6.2 | 2.9 | 3.7 | 7.5 | 3.7 | 5 | 8.4 | 4.2 | 5.9 | 10.6 | 5.6 | 8.1 | 13.8 | 7.4 | 11.3 |
| 2 | 6.3 | 4.7 | 9.4 | - | - | - | - | - | - | 7.2 | 3.3 | 4 | 9.4 | 4.7 | 6.3 | 12.6 | 6.5 | 9.4 |
| 3 | 7.5 | 5.6 | 11.3 | - | - | - | - | - | - | - | - | - | 8.2 | 3.7 | 4.4 | 11.3 | 5.6 | 7.5 |
| 4 | 10.0 | 7.5 | 15 | - | - | - | - | - | - | - | - | - | - | - | - | - | - | - |
| DAPS-0030 | | | | | | | | | | | | | | | | | | |
| 1 | 10.0 | 7.5 | 15 | 12.3 | 5.9 | 7.3 | 15 | 7.5 | 10 | 16.8 | 8.6 | 11.8 | 21.3 | 11.3 | 16.3 | 27.5 | 15 | 22.5 |
| 2 | 12.5 | 9.4 | 18.8 | - | - | - | - | - | - | 14.3 | 6.7 | 8 | 18.8 | 9.4 | 12.5 | 25.1 | 13.2 | 18.8 |
| 3 | 15.0 | 11.3 | 22.5 | - | - | - | - | - | - | - | - | - | 16.3 | 7.5 | 8.8 | 22.5 | 11.3 | 15 |
| 4 | 20.0 | 15 | 30 | - | - | - | - | - | - | - | - | - | - | - | - | - | - | - |
| DAPS-0060 | | | | | | | | | | | | | | | | | | |
| 1 | 20 | 15 | 30 | 24.6 | 11.8 | 14.6 | 30 | 15 | 20 | 33.6 | 17.1 | 23.6 | 42.5 | 22.5 | 32.5 | 55 | 30 | 45 |
| 2 | 25 | 18.8 | 37.5 | - | - | - | - | - | - | 28.6 | 13.4 | 16.1 | 37.5 | 18.8 | 25 | 50 | 26.3 | 37.5 |
| 3 | 30 | 22.5 | 45 | - | - | - | - | - | - | - | - | - | 32.5 | 15 | 17.5 | 45 | 22.5 | 30 |
| 4 | 40 | 30 | 60 | - | - | - | - | - | - | - | - | - | - | - | - | - | - | - |
| DAPS-0120 | | | | | | | | | | | | | | | | | | |
| 1 | 40 | 30 | 60 | 49.3 | 23.6 | 29.3 | 60 | 30 | 40 | 67.1 | 34.3 | 47.1 | 85 | 45 | 65 | 110 | 60 | 90 |
| 2 | 50 | 37.5 | 75 | - | - | - | - | - | - | 57.1 | 26.8 | 32.1 | 75 | 37.5 | 50 | 100 | 52.5 | 75 |
| 3 | 60 | 45 | 90 | - | - | - | - | - | - | - | - | - | 65 | 30 | 35 | 90 | 45 | 60 |
| 4 | 80 | 60 | 120 | - | - | - | - | - | - | - | - | - | - | - | - | - | - | - |
| DAPS-0240 | | | | | | | | | | | | | | | | | | |
| 1 | 80 | 60 | 120 | 98.6 | 47.1 | 58.6 | 120 | 60 | 80 | 134.3 | 68.6 | 94.3 | 170 | 90 | 130 | 220 | 120 | 180 |
| 2 | 100 | 75 | 150 | - | - | - | - | - | - | 114.3 | 53.6 | 64.3 | 150 | 75 | 100 | 200 | 105 | 150 |
| 3 | 120 | 90 | 180 | - | - | - | - | - | - | - | - | - | 130 | 60 | 70 | 180 | 90 | 120 |
| 4 | 160 | 120 | 240 | - | - | - | - | - | - | - | - | - | - | - | - | - | - | - |

 Note
The operating torque of the drive must not be higher than the maximum permissible torque listed in ISO 5211, with reference to the size of the mounting flange and of the coupling.

Quarter turn actuators DAPS CR, single-acting

Technical data

| Actual torque [Nm] as a function of operating pressure [bar], spring strength and swivel angle [°] | | | | | | | | | | | | | | | | | | | |
|--|--------------------|------|------|--------------------------|-------|-------|------|------|------|-------|-------|-------|------|------|------|-------|-------|-------|--|
| Spring strength | Spring torque [Nm] | | | Operating pressure [bar] | | | | | | | | | | | | | | | |
| | | | | 5 | | | 5.6 | | | 6 | | | 7 | | | 8 | | | |
| | 0° | 50° | 90° | 0° | 50° | 90° | 0° | 50° | 90° | 0° | 50° | 90° | 0° | 50° | 90° | 0° | 50° | 90° | |
| DAPS-0015 | | | | | | | | | | | | | | | | | | | |
| 1 | 5.0 | 3.7 | 7.5 | - | | | - | | | - | | | - | | | - | | | |
| 2 | 6.3 | 4.7 | 9.4 | 16.1 | 8.7 | 13 | 18.8 | 10.3 | 15.7 | - | | | - | | | - | | | |
| 3 | 7.5 | 5.6 | 11.3 | 14.9 | 7.7 | 11.1 | 17.6 | 9.3 | 13.8 | 19.4 | 10.4 | 15.6 | 23.8 | 13.1 | 20 | 28.3 | 15.7 | 24.5 | |
| 4 | 10.0 | 7.5 | 15 | 12.3 | 5.9 | 7.3 | 15 | 7.5 | 10 | 16.8 | 8.6 | 11.8 | 21.3 | 11.3 | 16.3 | 25.7 | 13.9 | 20.7 | |
| DAPS-0030 | | | | | | | | | | | | | | | | | | | |
| 1 | 10.0 | 7.5 | 15 | - | | | - | | | - | | | - | | | - | | | |
| 2 | 12.5 | 9.4 | 18.8 | 32.2 | 17.5 | 25.9 | 37.6 | 20.7 | 31.3 | - | | | - | | | - | | | |
| 3 | 15.0 | 11.3 | 22.5 | 29.6 | 15.6 | 22.1 | 35 | 18.8 | 27.5 | 38.6 | 21 | 31.1 | 47.5 | 26.4 | 40 | 56.4 | 31.7 | 48.9 | |
| 4 | 20.0 | 15 | 30 | 24.6 | 11.8 | 14.6 | 30 | 15 | 20 | 33.6 | 17.1 | 23.6 | 42.5 | 22.5 | 32.5 | 51.4 | 27.9 | 41.4 | |
| DAPS-0060 | | | | | | | | | | | | | | | | | | | |
| 1 | 20 | 15 | 30 | - | | | - | | | - | | | - | | | - | | | |
| 2 | 25 | 18.8 | 37.5 | 64.3 | 34.9 | 51.8 | 75 | 41.4 | 62.5 | - | | | - | | | - | | | |
| 3 | 30 | 22.5 | 45 | 59.3 | 31.1 | 44.3 | 70 | 37.5 | 55 | 77.1 | 41.8 | 62.1 | 95 | 52.5 | 80 | 112.9 | 63.2 | 97.9 | |
| 4 | 40 | 30 | 60 | 49.3 | 23.6 | 29.3 | 60 | 30 | 40 | 67.1 | 34.3 | 47.1 | 85 | 45 | 65 | 102.9 | 55.7 | 82.9 | |
| DAPS-0120 | | | | | | | | | | | | | | | | | | | |
| 1 | 40 | 30 | 60 | - | | | - | | | - | | | - | | | - | | | |
| 2 | 50 | 37.5 | 75 | 128.6 | 69.6 | 103.6 | 150 | 82.5 | 125 | - | | | - | | | - | | | |
| 3 | 60 | 45 | 90 | 118.6 | 62.1 | 88.6 | 140 | 75 | 110 | 154.3 | 83.6 | 124.3 | 190 | 105 | 160 | 225.7 | 126.4 | 195.7 | |
| 4 | 80 | 60 | 120 | 98.6 | 47.1 | 58.6 | 120 | 60 | 80 | 134.3 | 68.6 | 94.3 | 170 | 90 | 130 | 205.7 | 111.4 | 165.7 | |
| DAPS-0240 | | | | | | | | | | | | | | | | | | | |
| 1 | 80 | 60 | 120 | - | | | - | | | - | | | - | | | - | | | |
| 2 | 100 | 75 | 150 | 257.1 | 139.3 | 207.1 | 300 | 165 | 250 | - | | | - | | | - | | | |
| 3 | 120 | 90 | 180 | 237.1 | 124.3 | 177.1 | 280 | 150 | 220 | 308.6 | 167.1 | 248.6 | 380 | 210 | 320 | 451.4 | 252.9 | 391.4 | |
| 4 | 160 | 120 | 240 | 197.1 | 94.3 | 117.1 | 240 | 120 | 160 | 268.6 | 137.1 | 188.6 | 340 | 180 | 260 | 411.4 | 222.9 | 331.4 | |

Torque for size at 5.6 bar and swivel angle 0°



Note

The operating torque of the drive must not be higher than the maximum permissible torque listed in ISO 5211, with reference to the size of the mounting flange and of the coupling.

Quarter turn actuators DAPS CR, single-acting

Technical data

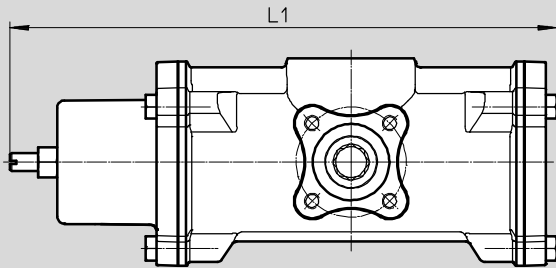
FESTO

Dimensions

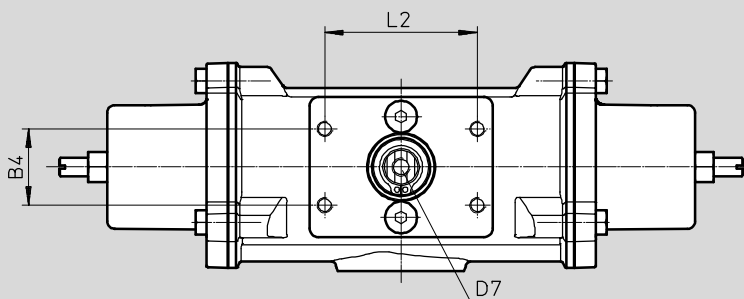
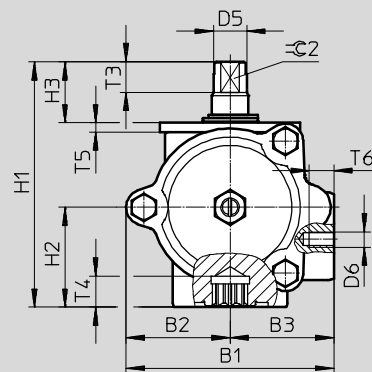
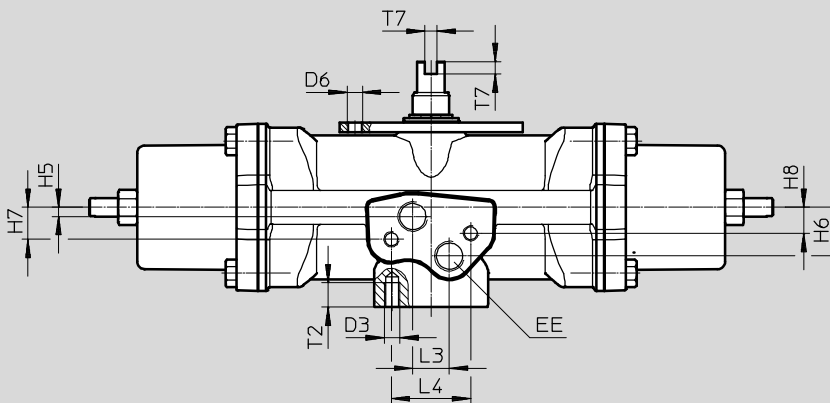
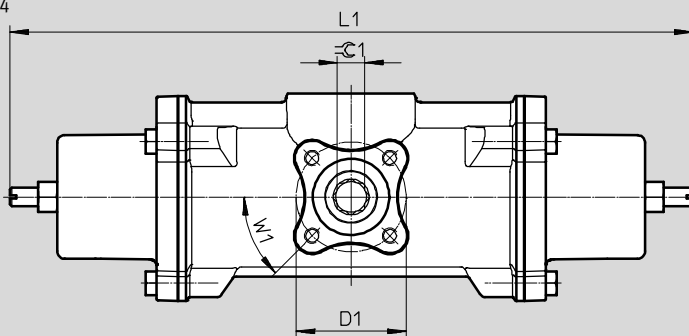
DAPS-0015-090-...-F03-CR

Download CAD data → www.festo.com

RS 1



RS 2 ... RS 4



Quarter turn actuators DAPS CR, single-acting



Technical data

| Size | B1 | B2 | B3 | B4 | D1 | D3 | D5 | D6 | D7 | EE | H1 | H2 | H3 | H5 | H6 | H7 |
|-------------------------|------|------|----|----|---------|----|-----------|----|----|------|------|------|----|----|----|------|
| DAPS-0015-090-RS-F03-CR | 68.1 | 34.1 | 34 | 25 | 36 ∅ | M5 | 10.9 ∅ | M5 | M6 | G1/8 | 80.4 | 32.7 | 20 | 3 | 16 | 10.5 |

| Size | H8 | L1 ±2 | | L2 | L3 | L4 | T2 | T3 | T4 | T5 | T6 | T7 | ≡C 1 | ≡C 2 | W1 | |
|-------------------------|-----|----------|---------------|----|----|----|----|----|------|------|----|----|------|------|----|-----|
| | | RS 1 | RS 2 ... RS 4 | | | | | | | | | | H11 | h11 | | |
| DAPS-0015-090-RS-F03-CR | 8.5 | 179 | 224 | 50 | 12 | 26 | 8 | 10 | 10.2 | ±0.4 | 3 | 8 | 4 | 9 | 9 | 45° |

Quarter turn actuators DAPS CR, single-acting

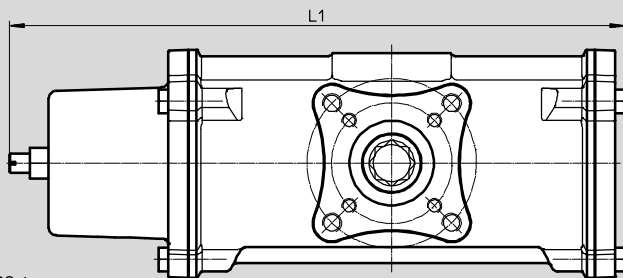
Technical data

Dimensions

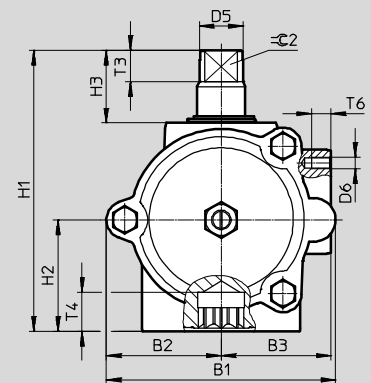
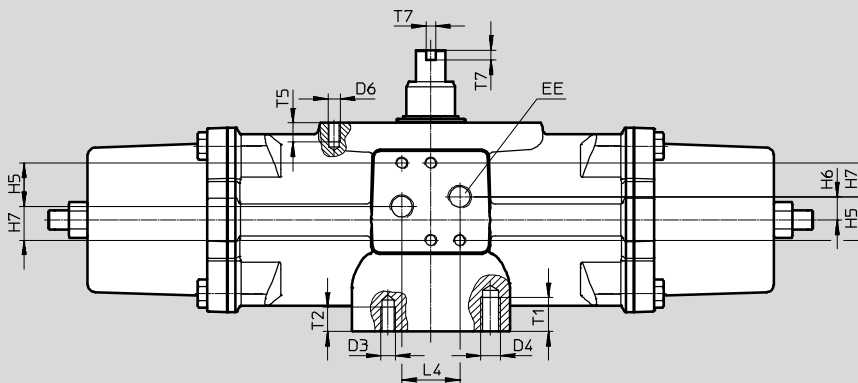
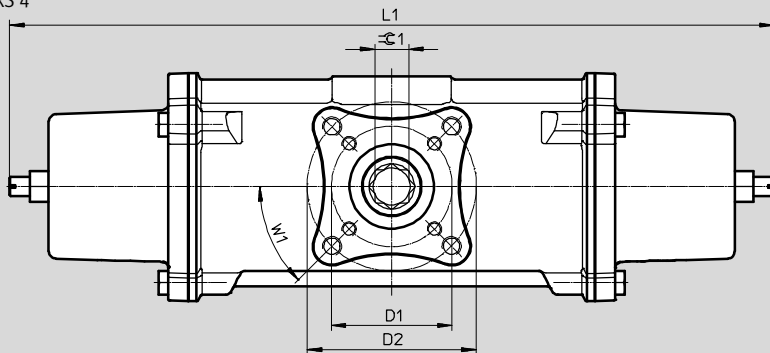
Download CAD data → www.festo.com/en/engineering

DAPS-...-090-...-CR

RS 1



RS 2 ... RS 4



Quarter turn actuators DAPS CR, single-acting

Technical data

| Size | B1 | B2 | B3 | B4 | D1 ∅ | D2 ∅ | D3 | D4 | D5 ∅ | D6 | D7 | EE | H1 | H2 | H3 | H5 |
|--------------------------|-------|------|------|----|---------|---------|----|-----|---------|----|----|------|-------|------|----|----|
| DAPS-0030- ... -F0305-CR | 80.3 | 41.1 | 39.2 | 25 | 36 | 50 | M5 | M6 | 14.5 | M5 | M6 | G1/8 | 92.4 | 37.6 | 20 | 18 |
| DAPS-0060- ... -F0507-CR | 94.4 | 47 | 45.5 | 30 | 50 | 70 | M6 | M8 | 18 | M5 | M6 | G1/8 | 116.4 | 46.2 | 30 | 18 |
| DAPS-0120- ... -F0507-CR | 117 | 60.2 | 54.5 | 30 | 50 | 70 | M6 | M8 | 22.5 | M5 | M6 | G1/8 | 136.4 | 56.1 | 30 | 18 |
| DAPS-0240- ... -F0710-CR | 139.7 | 70.9 | 67 | 30 | 70 | 102 | M8 | M10 | 29 | M5 | M6 | G1/8 | 160 | 67.9 | 30 | 18 |

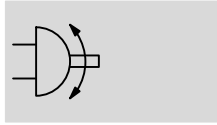
| Size | H6 | H7 | L1 ±2 | | L2 | L4 | T1 | T2 | T3 | T4 ±0.4 | T5 | T6 | T7 | ⊖ 1 | ⊖ 2 | W1 |
|--------------------------|-----|----|----------|---------------|----|----|----|----|----|------------|----|----|----|-----|-----|-----|
| | | | RS 1 | RS 2 ... RS 4 | | | | | | | | | | H11 | h11 | |
| DAPS-0030- ... -F0305-CR | 9.6 | 14 | 202.3 | 246.2 | 50 | 24 | 10 | 8 | 13 | 12.1 | 8 | 8 | 4 | 11 | 10 | 45° |
| DAPS-0060- ... -F0507-CR | 9.5 | 14 | 254.7 | 316.5 | 80 | 24 | 14 | 10 | 13 | 16.3 | 8 | 8 | 4 | 14 | 12 | 45° |
| DAPS-0120- ... -F0507-CR | 10 | 14 | 311.5 | 376.2 | 80 | 24 | 14 | 10 | 17 | 19.3 | 8 | 8 | 4 | 17 | 15 | 45° |
| DAPS-0240- ... -F0710-CR | 10 | 14 | 381 | 464 | 80 | 24 | 16 | 14 | 19 | 24.3 | 8 | 8 | 4 | 22 | 19 | 45° |

| Ordering data | | Part No. | Type | Part No. | Type |
|---------------|----------------------------|-----------|----------------------------|----------|----------------------------|
| Size 0015 | | Size 0120 | | | |
| 552875 | DAPS-0015-090-RS1-F03-CR | 552887 | DAPS-0120-090-RS1-F0507-CR | 552888 | DAPS-0120-090-RS2-F0507-CR |
| 552876 | DAPS-0015-090-RS2-F03-CR | 552889 | DAPS-0120-090-RS3-F0507-CR | 552890 | DAPS-0120-090-RS4-F0507-CR |
| 552877 | DAPS-0015-090-RS3-F03-CR | | | | |
| 552878 | DAPS-0015-090-RS4-F03-CR | Size 0240 | | | |
| | | 552891 | DAPS-0240-090-RS1-F0710-CR | 552892 | DAPS-0240-090-RS2-F0710-CR |
| Size 0030 | | 552893 | DAPS-0240-090-RS3-F0710-CR | 552894 | DAPS-0240-090-RS4-F0710-CR |
| 552879 | DAPS-0030-090-RS1-F0305-CR | | | | |
| 552880 | DAPS-0030-090-RS2-F0305-CR | | | | |
| 552881 | DAPS-0030-090-RS3-F0305-CR | | | | |
| 552882 | DAPS-0030-090-RS4-F0305-CR | | | | |
| | | | | | |
| Size 0060 | | | | | |
| 552883 | DAPS-0060-090-RS1-F0507-CR | | | | |
| 552884 | DAPS-0060-090-RS2-F0507-CR | | | | |
| 552885 | DAPS-0060-090-RS3-F0507-CR | | | | |
| 552886 | DAPS-0060-090-RS4-F0507-CR | | | | |

Quarter turn actuators DAPS with handwheel, double-acting

Technical data

Function



Swivel angle
0 ... 90°

Size
0106 ... 1920

Torque
0106 ... 1920 Nm



| General technical data | | | | | |
|------------------------------------|---------------------|------|------|------|------|
| Size | 0106 | 0180 | 0240 | 0360 | 0480 |
| Pneumatic connection | G1/8 | | | | G1/4 |
| Shaft connection depth | 19.3 | 24.8 | 24.8 | 24.3 | 29.5 |
| End-position adjusting range at 0° | -1 ... 9 | | | | |
| Design | Scotch yoke system | | | | |
| Mode of operation | Double-acting | | | | |
| Mounting position | Any | | | | |
| Position sensing | None | | | | |
| Cushioning | No cushioning | | | | |
| Swivel angle [°] | 90 | | | | |
| Closing direction | Closes to the right | | | | |

| Size | 0720 | 0960 | 1440 | 1920 |
|------------------------------------|---------------------|------|------|------|
| Pneumatic connection | G1/4 | | | |
| Shaft connection depth | 29.5 | 38.5 | 38.5 | 48.5 |
| End-position adjusting range at 0° | -1 ... 9 | | | |
| Design | Scotch yoke system | | | |
| Mode of operation | Double-acting | | | |
| Mounting position | Any | | | |
| Position sensing | None | | | |
| Cushioning | No cushioning | | | |
| Swivel angle [°] | 90 | | | |
| Closing direction | Closes to the right | | | |

Quarter turn actuators DAPS with handwheel, double-acting

Technical data

| Operating and environmental conditions | | | | | | |
|--|-------|--|------|------|------|------|
| Size | | 0106 | 0180 | 0240 | 0360 | 0480 |
| Operating pressure ¹⁾ | [bar] | 1 ... 8.4 | | | | |
| Nominal operating pressure | [bar] | 5.6 | | | | |
| Operating medium | | Compressed air in accordance with ISO 8573-1:2010 [7:4:4] | | | | |
| Note on operating/pilot medium | | Lubricated operation possible (in which case lubricated operation will always be required) | | | | |
| Ambient temperature | [°C] | -20 ... +80 | | | | |
| Ambient temperature for variant T6 | [°C] | -50 ... +60 | | | | |
| Corrosion resistance class CRC ²⁾ | | 2 | | | | |
| Connection to process valve as per standard | | ISO 5211 | | | | |
| Valve connection conforms to standard | | VDI/VDE 3845 (NAMUR) | | | | |
| Safety Integrity Level (SIL) | | Up to SIL 2 High Demand mode | | | | |
| | | Up to SIL 2 Low Demand mode | | | | |

| Size | | 0720 | 0960 | 1440 | 1920 |
|--|-------|--|------|------|------|
| Operating pressure ¹⁾ | [bar] | 1 ... 8.4 | | | |
| Nominal operating pressure | [bar] | 5.6 | | | |
| Operating medium | | Compressed air in accordance with ISO 8573-1:2010 [7:4:4] | | | |
| Note on operating/pilot medium | | Lubricated operation possible (in which case lubricated operation will always be required) | | | |
| Ambient temperature | [°C] | -20 ... +80 | | | |
| Ambient temperature for variant T6 | [°C] | -50 ... +60 | | | |
| Corrosion resistance class CRC ²⁾ | | 2 | | | |
| Connection to process valve as per standard | | ISO 5211 | | | |
| Valve connection conforms to standard | | VDI/VDE 3845 (NAMUR) | | | |
| Safety Integrity Level (SIL) | | Up to SIL 2 High Demand mode | | | |
| | | Up to SIL 2 Low Demand mode | | | |

1) Operating pressure for variant T6 3...8.4 bar

2) Corrosion resistance class CRC 2 to Festo standard FN 940070

Moderate corrosion stress. Indoor applications in which condensation may occur. External visible parts with primarily decorative requirements for the surface and which are in direct contact with the ambient atmosphere typical for industrial applications.

| ATEX | |
|---|---|
| ATEX category for gas | II 2G |
| Explosion ignition protection type for gas | c TX X |
| ATEX category for dust | II 2D |
| Explosion ignition protection type for dust | c TX X |
| Explosion-proof temperature | -20 °C ≤ Ta ≤ +60 °C |
| Explosion-proof temperature [T6] | -50 °C ≤ Ta ≤ +60 °C |
| CE marking (see declaration of conformity) | To EU Explosion Protection Directive (ATEX) |

Quarter turn actuators DAPS with handwheel, double-acting

Technical data

| Air consumption [l/cycle 0°-90°-0°] at 6 bar | | | |
|--|------|------|------|
| Size | | Size | |
| 0106 | 4.2 | 0720 | 27.6 |
| 0180 | 7.2 | 0960 | 36.3 |
| 0240 | 9.9 | 1440 | 58.2 |
| 0360 | 8.3 | 1920 | 77.4 |
| 0480 | 19.2 | | |

| Weight [g] | | | |
|------------|-------|------|-------|
| Size | | Size | |
| 0106 | 4000 | 0720 | 17800 |
| 0180 | 6000 | 0960 | 23800 |
| 0240 | 8000 | 1440 | 33600 |
| 0360 | 10200 | 1920 | 43000 |
| 0480 | 13200 | | |

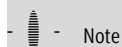
| Materials | | |
|------------------------|--|-----------------|
| Quarter turn actuators | | Material number |
| Housing | Wrought aluminium alloy | - |
| Cover | Wrought aluminium alloy | - |
| | [T6] Wrought aluminium alloy | - |
| Shaft | High-alloy steel | 1.4305 |
| Screws | High-alloy steel | - |
| Seals | NBR, PUR, FPM | - |
| | [T6] PTFE reinforced, FVMQ | - |
| Note on materials | Conforms to RoHS | - |
| | [T6] Contains PWIS (paint-wetting impairment substances), conforms to RoHS | - |

Quarter turn actuators DAPS with handwheel, double-acting

Technical data

| Actual torque [Nm] as a function of operating pressure [bar] and swivel angle [°] | | | | | | | | | |
|---|------------------|--------------------------|--------|--------|--------|------|--------|-------|--------|
| Size | Swivel angle [°] | Operating pressure [bar] | | | | | | | |
| | | 2.5 | 3 | 4 | 5 | 5.6 | 6 | 7 | 8 |
| DAPS-0106 | 0° | 47.3 | 56.8 | 75.7 | 94.6 | 106 | 113.6 | 132.5 | 151.4 |
| | 50° | 23.7 | 28.4 | 37.9 | 47.3 | 53 | 56.8 | 66.3 | 75.7 |
| | 90° | 35.7 | 72.9 | 57.1 | 71.4 | 80 | 85.7 | 100 | 114.3 |
| DAPS-0180 | 0° | 80.4 | 96.4 | 128.6 | 160.7 | 180 | 192.9 | 225 | 257.1 |
| | 50° | 40.2 | 48.2 | 64.3 | 80.4 | 90 | 96.4 | 112.5 | 128.6 |
| | 90° | 60.3 | 72.3 | 96.4 | 120.5 | 135 | 144.6 | 168.8 | 192.9 |
| DAPS-0240 | 0° | 107.1 | 128.6 | 171.4 | 214.3 | 240 | 257.1 | 300 | 342.9 |
| | 50° | 53.6 | 64.3 | 85.7 | 107.1 | 120 | 128.6 | 150 | 171.4 |
| | 90° | 80.4 | 96.4 | 128.6 | 160.7 | 180 | 192.9 | 225 | 257.1 |
| DAPS-0360 | 0° | 160.7 | 192.9 | 257.1 | 321.4 | 360 | 385.7 | 450 | 514.3 |
| | 50° | 80.4 | 96.4 | 128.6 | 160.7 | 180 | 192.9 | 225 | 257.1 |
| | 90° | 120.5 | 144.6 | 192.9 | 241.1 | 270 | 289.3 | 337.5 | 385.7 |
| DAPS-0480 | 0° | 214.3 | 257.1 | 342.9 | 428.6 | 480 | 514.3 | 600 | 685.7 |
| | 50° | 107.1 | 128.6 | 171.4 | 214.3 | 240 | 257.1 | 300 | 342.9 |
| | 90° | 160.7 | 192.9 | 257.1 | 321.4 | 360 | 385.7 | 450 | 514.3 |
| DAPS-0720 | 0° | 321.4 | 385.7 | 514.3 | 642.9 | 720 | 771.4 | 900 | 1028.6 |
| | 50° | 160.7 | 192.9 | 257.1 | 321.4 | 360 | 385.7 | 450 | 514.3 |
| | 90° | 241.1 | 289.3 | 385.7 | 482.1 | 540 | 578.6 | 675 | 771.4 |
| DAPS-0960 | 0° | 428.6 | 514.3 | 685.7 | 857.1 | 960 | 1028.6 | 1200 | 1371.4 |
| | 50° | 214.3 | 257.1 | 342.9 | 428.6 | 480 | 514.3 | 600 | 685.7 |
| | 90° | 321.4 | 385.7 | 514.3 | 642.9 | 720 | 771.4 | 900 | 1028.6 |
| DAPS-1440 | 0° | 642.9 | 771.4 | 1028.6 | 1285.7 | 1440 | 1542.9 | 1800 | 2057.1 |
| | 50° | 321.4 | 385.7 | 514.3 | 642.9 | 720 | 771.4 | 900 | 1028.6 |
| | 90° | 482.1 | 578.6 | 771.4 | 964.3 | 1080 | 1157.1 | 1350 | 1542.9 |
| DAPS-1920 | 0° | 857.1 | 1028.6 | 1371.4 | 1714.3 | 1920 | 2057.1 | 2400 | 2742.9 |
| | 50° | 428.6 | 514.3 | 685.7 | 857.1 | 960 | 1028.6 | 1200 | 1371.4 |
| | 90° | 642.9 | 771.4 | 1028.6 | 1285.7 | 1440 | 1542.9 | 1800 | 2057.1 |

Torque for size at 5.6 bar and swivel angle 0°



Note

The operating torque of the drive must not be higher than the maximum permissible torque listed in ISO 5211, with reference to the size of the mounting flange and of the coupling.

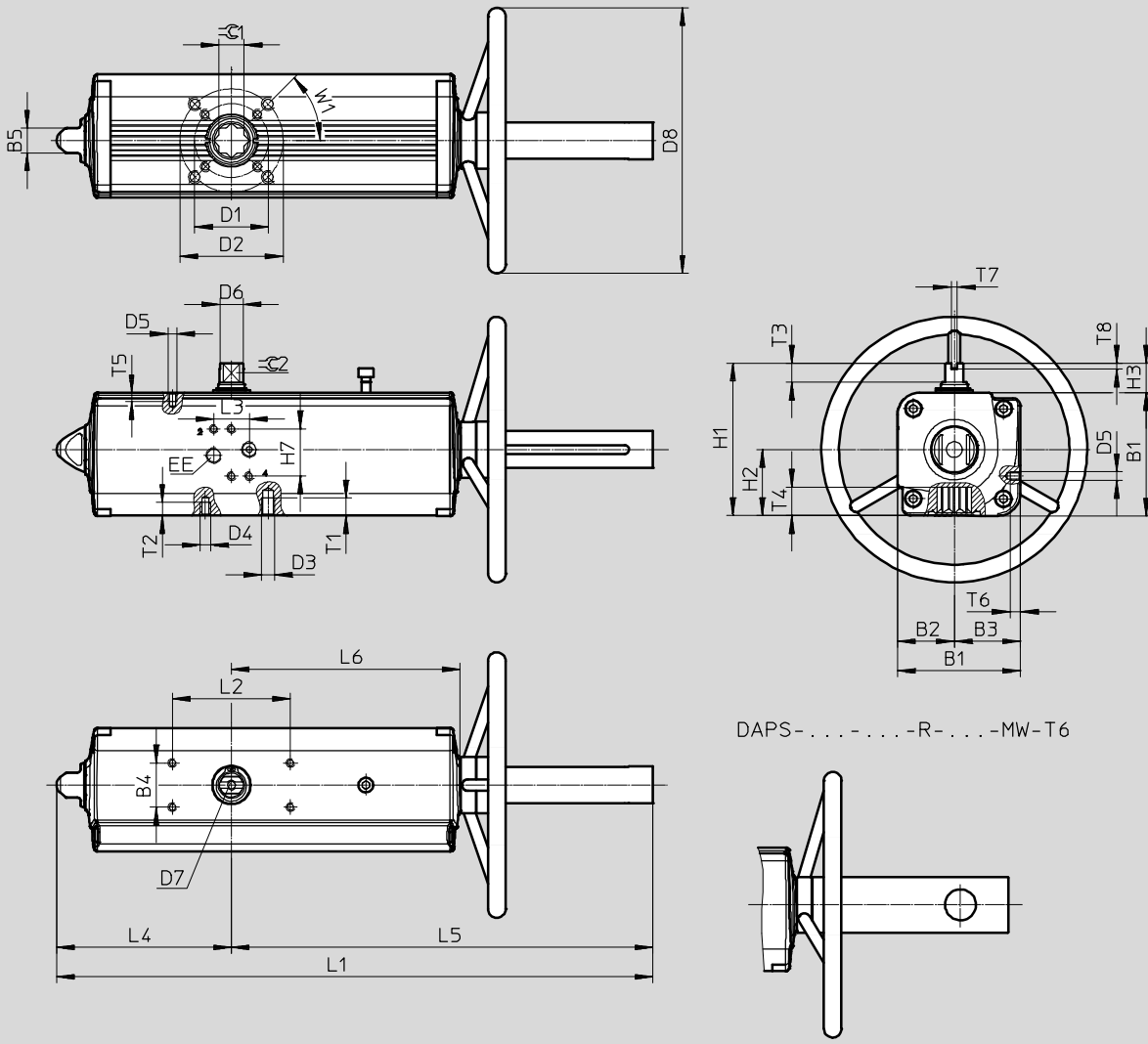
Quarter turn actuators DAPS with handwheel, double-acting

Technical data



Dimensions

Download CAD data → www.festo.com



Quarter turn actuators DAPS with handwheel, double-acting

Technical data

| Size | B1 ±0.4 | B2 | B3 | B4 | B5 | D1 ∅ | D2 ∅ | D3 | D4 | D5 | D6 ∅ | D7 |
|-------------------------|------------|------|-------|----|----|---------|---------|-----|-----|----|---------|-------|
| DAPS-0106-...-F0507-... | 83.3 | 38.5 | 44.8 | 30 | 17 | 50 | 70 | M8 | M6 | M5 | 16.2 | M6x12 |
| DAPS-0180-...-F0710-... | 107.5 | 51 | 56.5 | 30 | 22 | 70 | 102 | M10 | M8 | M5 | 20.2 | M6x12 |
| DAPS-0240-...-F0710-... | 111.1 | 51 | 60.1 | 30 | 22 | 70 | 102 | M10 | M8 | M5 | 22.5 | M6x12 |
| DAPS-0360-...-F0710-... | 118 | 56 | 62 | 30 | 22 | 70 | 102 | M10 | M8 | M5 | 25.5 | M6x12 |
| DAPS-0480-...-F1012-... | 134.9 | 62 | 72.9 | 30 | 27 | 102 | 125 | M12 | M10 | M5 | 29 | M6x12 |
| DAPS-0720-...-F1012-... | 148 | 69.5 | 78.5 | 30 | 27 | 102 | 125 | M12 | M10 | M5 | 31.8 | M6x12 |
| DAPS-0960-...-F1012-... | 168 | 74.5 | 93.5 | 30 | 27 | 102 | 125 | M12 | M10 | M5 | 36.5 | M6x12 |
| DAPS-0960-...-F14-... | 168 | 74.5 | 93.5 | 30 | 27 | - | 140 | M16 | - | M5 | 36.5 | M6x12 |
| DAPS-1440-...-F12-... | 186 | 84.5 | 101.5 | 30 | 36 | - | 125 | M12 | - | M5 | 41 | M6x12 |
| DAPS-1440-...-F14-... | 186 | 84.5 | 101.5 | 30 | 36 | - | 140 | M16 | - | M5 | 41 | M6x12 |
| DAPS-1920-...-F14-... | 207.7 | 93 | 114.7 | 30 | 36 | - | 140 | M16 | - | M5 | 46 | M6x12 |
| DAPS-1920-...-F1216-... | 207.7 | 93 | 114.7 | 30 | 36 | 125 | 165 | M20 | M12 | M5 | 46 | M6x12 |

| Size | D8 ∅ | EE | H1 | H2 | H3 | H7 | L1 ±2 | L2 | L3 | L4 | L5 | L6 |
|-------------------------|---------|------|-------|-------|--------|----|----------|----|----|-------|-------|-------|
| DAPS-0106-...-F0507-... | 180 | G1/8 | 103.3 | 44.8 | 20±0.4 | 32 | 403.9 | 80 | 24 | 118.5 | 285.4 | 154.8 |
| DAPS-0180-...-F0710-... | 220 | G1/8 | 137.5 | 56.5 | 30±0.4 | 32 | 493.2 | 80 | 24 | 144.9 | 348.3 | 183.5 |
| DAPS-0240-...-F0710-... | 220 | G1/8 | 141.1 | 60.1 | 30±0.4 | 32 | 520.6 | 80 | 24 | 156.8 | 363.9 | 199.1 |
| DAPS-0360-...-F0710-... | 300 | G1/8 | 148 | 62 | 30±0.4 | 32 | 578.8 | 80 | 24 | 169.6 | 409.1 | 220.8 |
| DAPS-0480-...-F1012-... | 300 | G1/4 | 164.9 | 72.9 | 30±0.4 | 32 | 618.8 | 80 | 24 | 193.8 | 425 | 236.4 |
| DAPS-0720-...-F1012-... | 350 | G1/4 | 178 | 78.5 | 30±0.4 | 32 | 732.8 | 80 | 24 | 216.6 | 516.2 | 282.3 |
| DAPS-0960-...-F1012-... | 350 | G1/4 | 198 | 93.5 | 30±0.5 | 32 | 770.2 | 80 | 24 | 239.7 | 530.5 | 297.1 |
| DAPS-0960-...-F14-... | 350 | G1/4 | 198 | 93.5 | 30±0.5 | 32 | 770.2 | 80 | 24 | 239.7 | 530.5 | 297.1 |
| DAPS-1440-...-F12-... | 400 | G1/4 | 216 | 101.5 | 30±0.5 | 32 | 936.9 | 80 | 24 | 283.5 | 653.4 | 365.6 |
| DAPS-1440-...-F14-... | 400 | G1/4 | 216 | 101.5 | 30±0.5 | 32 | 936.9 | 80 | 24 | 283.5 | 653.4 | 365.6 |
| DAPS-1920-...-F14-... | 400 | G1/4 | 237.7 | 114.7 | 30±0.8 | 32 | 970.3 | 80 | 24 | 300.4 | 670 | 382.9 |
| DAPS-1920-...-F1216-... | 400 | G1/4 | 237.7 | 114.7 | 30±0.8 | 32 | 970.3 | 80 | 24 | 300.4 | 670 | 382.9 |

| Size | T1 | T2 | T3 | T4 | T5 | T6 | T7 +0.1 | T8 +0.3 | ≈C 1 H11 | ≈C 2 h11 | W1 |
|-------------------------|----|----|------|----------|----|----|------------|------------|-------------|-------------|-----|
| DAPS-0106-...-F0507-... | 12 | 9 | 13 | 19.3±0.4 | 6 | 7 | 4 | 4 | 17 | 12 | 45° |
| DAPS-0180-...-F0710-... | 15 | 12 | 16 | 24.8±0.4 | 6 | 7 | 4 | 4 | 22 | 15 | 45° |
| DAPS-0240-...-F0710-... | 15 | 12 | 17 | 24.8±0.4 | 6 | 7 | 4 | 4 | 22 | 15 | 45° |
| DAPS-0360-...-F0710-... | 15 | 12 | 19 | 24.3±0.4 | 6 | 7 | 4 | 4 | 22 | 19 | 45° |
| DAPS-0480-...-F1012-... | 18 | 15 | 19 | 29.5±0.4 | 6 | 7 | 4 | 4 | 27 | 19 | 45° |
| DAPS-0720-...-F1012-... | 18 | 15 | 19.5 | 29.5±0.4 | 6 | 7 | 4 | 4 | 27 | 22 | 45° |
| DAPS-0960-...-F1012-... | 18 | 15 | 19.5 | 38.5±0.5 | 6 | 7 | 4 | 4 | 36 | 24 | 45° |
| DAPS-0960-...-F14-... | 24 | - | 19.5 | 38.5±0.5 | 6 | 7 | 4 | 4 | 36 | 24 | 45° |
| DAPS-1440-...-F12-... | 18 | - | 19.5 | 38.5±0.5 | 6 | 7 | 4 | 4 | 36 | 27 | 45° |
| DAPS-1440-...-F14-... | 24 | - | 19.5 | 38.5±0.5 | 6 | 7 | 4 | 4 | 36 | 27 | 45° |
| DAPS-1920-...-F14-... | 24 | - | 18.5 | 48.5±0.8 | 6 | 7 | 4 | 4 | 46 | 32 | 45° |
| DAPS-1920-...-F1216-... | 30 | 18 | 18.5 | 48.5±0.8 | 6 | 7 | 4 | 4 | 46 | 32 | 45° |

Quarter turn actuators DAPS with handwheel, double-acting

Technical data

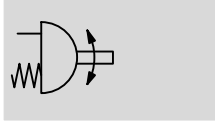
| Ordering data – Double-acting | | Ordering data – Double-acting | |
|-------------------------------|--------------------------|-------------------------------|--------------------------|
| Part No. | Type | Part No. | Type |
| Size 0106 | | Size 0960 | |
| 8005002 | DAPS-0106-090-R-F0507-MW | 8005008 | DAPS-0960-090-R-F1012-MW |
| | | 8005009 | DAPS-0960-090-R-F14-MW |
| Size 0180 | | Size 1440 | |
| 8005003 | DAPS-0180-090-R-F0710-MW | 8005010 | DAPS-1440-090-R-F12-MW |
| | | 8005011 | DAPS-1440-090-R-F14-MW |
| Size 0240 | | Size 1920 | |
| 8005004 | DAPS-0240-090-R-F0710-MW | 8005013 | DAPS-1920-090-R-F1216-MW |
| | | 8005012 | DAPS-1920-090-R-F14-MW |
| Size 0360 | | | |
| 8005005 | DAPS-0360-090-R-F0710-MW | | |
| | | | |
| Size 0480 | | | |
| 8005006 | DAPS-0480-090-R-F1012-MW | | |
| | | | |
| Size 0720 | | | |
| 8005007 | DAPS-0720-090-R-F1012-MW | | |


| Ordering data – Double-acting T6 | | Ordering data – Double-acting T6 | |
|----------------------------------|-----------------------------|----------------------------------|-----------------------------|
| Part No. | Type | Part No. | Type |
| Size 0106 | | Size 0960 | |
| 8005014 | DAPS-0106-090-R-F0507-MW-T6 | 8005020 | DAPS-0960-090-R-F1012-MW-T6 |
| | | 8005021 | DAPS-0960-090-R-F14-MW-T6 |
| Size 0180 | | Size 1440 | |
| 8005015 | DAPS-0180-090-R-F0710-MW-T6 | 8005022 | DAPS-1440-090-R-F12-MW-T6 |
| | | 8005023 | DAPS-1440-090-R-F14-MW-T6 |
| Size 0240 | | Size 1920 | |
| 8005016 | DAPS-0240-090-R-F0710-MW-T6 | 8005024 | DAPS-1920-090-R-F14-MW-T6 |
| | | 8005025 | DAPS-1920-090-R-F1216-MW-T6 |
| Size 0360 | | | |
| 8005017 | DAPS-0360-090-R-F0710-MW-T6 | | |
| | | | |
| Size 0480 | | | |
| 8005018 | DAPS-0480-090-R-F1012-MW-T6 | | |
| | | | |
| Size 0720 | | | |
| 8005019 | DAPS-0720-090-R-F1012-MW-T6 | | |

Quarter turn actuators DAPS with handwheel, single-acting



Technical data

Function



 Swivel angle
0 ... 90°



-  Size
0053 ... 0960
-  Torque
0053 ... 0960 Nm

| General technical data | | | | | |
|---|--|------|------|------|------|
| Size | 0053 | 0090 | 0120 | 0180 | 0240 |
| Pneumatic connection | G1/8 | | | | G1/4 |
| Shaft connection depth [mm] | 19.3 | 24.8 | 24.8 | 24.3 | 29.5 |
| End-position adjusting range at 0° | -1 ... 9 | | | | |
| End-position adjusting range at 90° | -81 ... 91 | | | | |
| Note regarding the end-position adjusting range | Optionally one end position adjustable | | | | |
| Design | Scotch yoke system | | | | |
| Mode of operation | Single-acting | | | | |
| Mounting position | Any | | | | |
| Position sensing | None | | | | |
| Cushioning | No cushioning | | | | |
| Swivel angle [°] | 90 | | | | |
| Closing direction | Closes to the right | | | | |

| Size | 0360 | 0480 | 0720 | 0960 |
|---|--|------|------|------|
| Pneumatic connection | G1/4 | | | |
| Shaft connection depth [mm] | 29.5 | 38.5 | 38.5 | 48.5 |
| End-position adjusting range at 0° | -1 ... 9 | | | |
| End-position adjusting range at 90° | -81 ... 91 | | | |
| Note regarding the end-position adjusting range | Optionally one end position adjustable | | | |
| Design | Scotch yoke system | | | |
| Mode of operation | Single-acting | | | |
| Mounting position | Any | | | |
| Position sensing | None | | | |
| Cushioning | No cushioning | | | |
| Swivel angle [°] | 90 | | | |
| Closing direction | Closes to the right | | | |

Quarter turn actuators DAPS with handwheel, single-acting

Technical data

| Operating and environmental conditions | | | | | |
|--|--|------|------|------|------|
| Size | 0053 | 0090 | 0120 | 0180 | 0240 |
| Nominal operating pressure [bar] | 5.6 | | | | |
| Operating medium | Compressed air in accordance with ISO 8573-1:2010 [7:4:4] | | | | |
| Note on operating/pilot medium | Lubricated operation possible (in which case lubricated operation will always be required) | | | | |
| Ambient temperature [°C] | -20 ... +80 | | | | |
| Corrosion resistance class CRC ¹⁾ | 2 | | | | |
| Connection to process valve as per standard | ISO 5211 | | | | |
| Valve connection conforms to standard | VDI/VDE 3845 (NAMUR) | | | | |
| Safety Integrity Level (SIL) | Up to SIL 2 High Demand mode | | | | |
| | Up to SIL 2 Low Demand mode | | | | |

| Size | 0360 | 0480 | 0720 | 0960 |
|--|--|------|------|------|
| Nominal operating pressure [bar] | 5.6 | | | |
| Operating medium | Compressed air in accordance with ISO 8573-1:2010 [7:4:4] | | | |
| Note on operating/pilot medium | Lubricated operation possible (in which case lubricated operation will always be required) | | | |
| Ambient temperature [°C] | -20 ... +80 | | | |
| Corrosion resistance class CRC ¹⁾ | 2 | | | |
| Connection to process valve as per standard | ISO 5211 | | | |
| Valve connection conforms to standard | VDI/VDE 3845 (NAMUR) | | | |
| Safety Integrity Level (SIL) | Up to SIL 2 High Demand mode | | | |
| | Up to SIL 2 Low Demand mode | | | |

1) Corrosion resistance class CRC 2 to Festo standard FN 940070
Moderate corrosion stress. Indoor applications in which condensation may occur. External visible parts with primarily decorative requirements for the surface and which are in direct contact with the ambient atmosphere typical for industrial applications.

| ATEX | |
|---|---|
| ATEX category for gas | II 2G |
| Explosion ignition protection type for gas | c TX X |
| ATEX category for dust | II 2D |
| Explosion ignition protection type for dust | c TX X |
| Explosion-proof temperature | -20 °C ≤ Ta ≤ +60 °C |
| CE marking (see declaration of conformity) | To EU Explosion Protection Directive (ATEX) |

| Materials | | |
|------------------------|-------------------------|-----------------|
| Quarter turn actuators | | Material number |
| Housing | Wrought aluminium alloy | - |
| Cover | Wrought aluminium alloy | - |
| Shaft | High-alloy steel | 1.4305 |
| External screws | High-alloy steel | - |
| Seals | FPM, NBR, PUR | - |
| Note on materials | Conforms to RoHS | - |

Quarter turn actuators DAPS with handwheel, single-acting

Technical data

| Pressure ranges [bar] | | | | | |
|----------------------------|---------------------|--------------------|----------------------------|---------------------|--------------------|
| Type | Connection pressure | Operating pressure | Type | Connection pressure | Operating pressure |
| Size 0053 | | | Size 0480 | | |
| DAPS-0053-090-RS1-F0507-MW | 2.8 | 2.8 ... 8.4 | DAPS-0480-090-RS1-F1012-MW | 2.8 | 2.8 ... 8.4 |
| DAPS-0053-090-RS2-F0507-MW | 3.5 | 3.5 ... 8.4 | DAPS-0480-090-RS1-F14-MW | 2.8 | 2.8 ... 8.4 |
| DAPS-0053-090-RS3-F0507-MW | 4.2 | 4.2 ... 8.4 | DAPS-0480-090-RS2-F1012-MW | 3.5 | 3.5 ... 8.4 |
| DAPS-0053-090-RS4-F0507-MW | 5.6 | 5.6 ... 8.4 | DAPS-0480-090-RS2-F14-MW | 3.5 | 3.5 ... 8.4 |
| Size 0090 | | | Size 0720 | | |
| DAPS-0090-090-RS1-F0710-MW | 2.8 | 2.8 ... 8.4 | DAPS-0720-090-RS1-F12-MW | 2.8 | 2.8 ... 8.4 |
| DAPS-0090-090-RS2-F0710-MW | 3.5 | 3.5 ... 8.4 | DAPS-0720-090-RS1-F14-MW | 2.8 | 2.8 ... 8.4 |
| DAPS-0090-090-RS3-F0710-MW | 4.2 | 4.2 ... 8.4 | DAPS-0720-090-RS2-F12-MW | 3.5 | 3.5 ... 8.4 |
| DAPS-0090-090-RS4-F0710-MW | 5.6 | 5.6 ... 8.4 | DAPS-0720-090-RS2-F14-MW | 3.5 | 3.5 ... 8.4 |
| Size 0120 | | | Size 0960 | | |
| DAPS-0120-090-RS1-F0710-MW | 2.8 | 2.8 ... 8.4 | DAPS-0960-090-RS1-F1216-MW | 2.8 | 2.8 ... 8.4 |
| DAPS-0120-090-RS2-F0710-MW | 3.5 | 3.5 ... 8.4 | DAPS-0960-090-RS1-F14-MW | 2.8 | 2.8 ... 8.4 |
| DAPS-0120-090-RS3-F0710-MW | 4.2 | 4.2 ... 8.4 | DAPS-0960-090-RS2-F1216-MW | 3.5 | 3.5 ... 8.4 |
| DAPS-0120-090-RS4-F0710-MW | 5.6 | 5.6 ... 8.4 | DAPS-0960-090-RS2-F14-MW | 3.5 | 3.5 ... 8.4 |
| Size 0180 | | | Size 0960 | | |
| DAPS-0180-090-RS1-F0710-MW | 2.8 | 2.8 ... 8.4 | DAPS-0960-090-RS3-F1216-MW | 4.2 | 4.2 ... 8.4 |
| DAPS-0180-090-RS2-F0710-MW | 3.5 | 3.5 ... 8.4 | DAPS-0960-090-RS3-F14-MW | 4.2 | 4.2 ... 8.4 |
| DAPS-0180-090-RS3-F0710-MW | 4.2 | 4.2 ... 8.4 | DAPS-0960-090-RS4-F1216-MW | 5.6 | 5.6 ... 8.4 |
| DAPS-0180-090-RS4-F0710-MW | 5.6 | 5.6 ... 8.4 | DAPS-0960-090-RS4-F14-MW | 5.6 | 5.6 ... 8.4 |
| Size 0240 | | | Size 0960 | | |
| DAPS-0240-090-RS1-F1012-MW | 2.8 | 2.8 ... 8.4 | DAPS-0960-090-RS4-F1216-MW | 5.6 | 5.6 ... 8.4 |
| DAPS-0240-090-RS2-F1012-MW | 3.5 | 3.5 ... 8.4 | DAPS-0960-090-RS4-F14-MW | 5.6 | 5.6 ... 8.4 |
| DAPS-0240-090-RS3-F1012-MW | 4.2 | 4.2 ... 8.4 | | | |
| DAPS-0240-090-RS4-F1012-MW | 5.6 | 5.6 ... 8.4 | | | |
| Size 0360 | | | | | |
| DAPS-0360-090-RS1-F1012-MW | 2.8 | 2.8 ... 8.4 | | | |
| DAPS-0360-090-RS2-F1012-MW | 3.5 | 3.5 ... 8.4 | | | |
| DAPS-0360-090-RS3-F1012-MW | 4.2 | 4.2 ... 8.4 | | | |
| DAPS-0360-090-RS4-F1012-MW | 5.6 | 5.6 ... 8.4 | | | |


| Air consumption [l/cycle 0°-90°-0°] at 6 bar | | | |
|--|-----|------|------|
| Size | | Size | |
| 0053 | 1.8 | 0360 | 12 |
| 0090 | 3.3 | 0480 | 16.8 |
| 0120 | 4.8 | 0720 | 25.2 |
| 0180 | 6 | 0960 | 35.4 |
| 0240 | 9 | | |

| Weight [g] | | | |
|------------|-------|------|-------|
| Size | | Size | |
| 0053 | 4500 | 0360 | 19500 |
| 0090 | 6800 | 0480 | 28100 |
| 0120 | 9000 | 0720 | 38800 |
| 0180 | 11700 | 0960 | 50600 |
| 0240 | 15200 | | |

Quarter turn actuators DAPS with handwheel, single-acting

Technical data

| Actual torque [Nm] as a function of operating pressure [bar], spring strength and swivel angle [°] | | | | | | | | | | | | | | | | | | |
|--|--------------------|------|-------|--------------------------|------|------|------|------|------|-------|------|------|-------|------|------|------|------|-------|
| Spring strength | Spring torque [Nm] | | | Operating pressure [bar] | | | | | | | | | | | | | | |
| | | | | 2.5 | | | 2.8 | | | 3 | | | 3.5 | | | 4.2 | | |
| | 0° | 50° | 90° | 0° | 50° | 90° | 0° | 50° | 90° | 0° | 50° | 90° | 0° | 50° | 90° | 0° | 50° | 90° |
| DAPS-0053 | | | | | | | | | | | | | | | | | | |
| 1 | 17.5 | 13 | 26.5 | 20.2 | 9.3 | 11.2 | 26.5 | 13 | 17.5 | 29.6 | 14.9 | 20.6 | 37.5 | 19.5 | 28.5 | 48.5 | 26 | 39.5 |
| 2 | 22 | 16.5 | 33 | - | - | - | - | - | - | 25.1 | 11.8 | 14.1 | 33 | 16.5 | 22 | 44 | 23.1 | 33 |
| 3 | 26 | 19.5 | 40 | - | - | - | - | - | - | - | - | - | 29 | 13 | 15 | 40 | 19.5 | 26 |
| 4 | 35 | 26 | 53 | - | - | - | - | - | - | - | - | - | - | - | - | - | - | - |
| DAPS-0090 | | | | | | | | | | | | | | | | | | |
| 1 | 30 | 22.5 | 45 | 34.3 | 16.1 | 19.3 | 45 | 22.5 | 30 | 50.4 | 25.7 | 35.4 | 63.8 | 33.8 | 48.8 | 82.5 | 45 | 67.5 |
| 2 | 37.5 | 28.1 | 56.3 | - | - | - | - | - | - | 42.9 | 20.1 | 24.1 | 56.3 | 28.1 | 37.5 | 75.1 | 39.4 | 56.3 |
| 3 | 45 | 33.9 | 67.5 | - | - | - | - | - | - | - | - | - | 48.8 | 22.6 | 26.3 | 67.5 | 33.9 | 45 |
| 4 | 60 | 45 | 90 | - | - | - | - | - | - | - | - | - | - | - | - | - | - | - |
| DAPS-0120 | | | | | | | | | | | | | | | | | | |
| 1 | 40 | 30 | 60 | 45.7 | 21.4 | 25.7 | 60 | 30 | 40 | 67.1 | 34.3 | 47.1 | 85 | 45 | 65 | 110 | 60 | 90 |
| 2 | 50 | 37.5 | 75 | - | - | - | - | - | - | 57.1 | 26.8 | 32.1 | 75 | 37.5 | 50 | 100 | 52.5 | 75 |
| 3 | 60 | 45 | 90 | - | - | - | - | - | - | - | - | - | 65 | 30 | 35 | 90 | 45 | 60 |
| 4 | 80 | 60 | 120 | - | - | - | - | - | - | - | - | - | - | - | - | - | - | - |
| DAPS-0180 | | | | | | | | | | | | | | | | | | |
| 1 | 60 | 45 | 90 | 68.6 | 32.1 | 38.6 | 90 | 45 | 60 | 100.7 | 51.4 | 70.7 | 127.5 | 67.5 | 97.5 | 165 | 90 | 135 |
| 2 | 75 | 56.3 | 112.5 | - | - | - | - | - | - | 85.7 | 40.2 | 48.2 | 112.5 | 56.3 | 75 | 150 | 78.8 | 112.5 |
| 3 | 90 | 67.5 | 135 | - | - | - | - | - | - | - | - | - | 97.5 | 45 | 52.5 | 135 | 67.5 | 90 |
| 4 | 120 | 90 | 180 | - | - | - | - | - | - | - | - | - | - | - | - | - | - | - |
| DAPS-0240 | | | | | | | | | | | | | | | | | | |
| 1 | 80 | 60 | 120 | 91.4 | 42.9 | 51.4 | 120 | 60 | 80 | 134.3 | 68.6 | 94.3 | 170 | 90 | 130 | 220 | 120 | 180 |
| 2 | 100 | 75 | 150 | - | - | - | - | - | - | 114.3 | 53.6 | 64.3 | 150 | 75 | 100 | 200 | 105 | 150 |
| 3 | 120 | 90 | 180 | - | - | - | - | - | - | - | - | - | 130 | 60 | 70 | 180 | 90 | 120 |
| 4 | 160 | 120 | 240 | - | - | - | - | - | - | - | - | - | - | - | - | - | - | - |

 Note
The operating torque of the drive must not be higher than the maximum permissible torque listed in ISO 5211, with reference to the size of the mounting flange and of the coupling.

Quarter turn actuators DAPS with handwheel, single-acting

Technical data

| Actual torque [Nm] as a function of operating pressure [bar], spring strength and swivel angle [°] | | | | | | | | | | | | | | | | | | |
|--|--------------------|------|-------|--------------------------|-------|-------|-------|-------|-------|-------|-------|-------|-------|-------|------|-------|-------|-------|
| Spring strength | Spring torque [Nm] | | | Operating pressure [bar] | | | | | | | | | | | | | | |
| | | | | 5 | | | 5.6 | | | 6 | | | 7 | | | 8 | | |
| | 0° | 50° | 90° | 0° | 50° | 90° | 0° | 50° | 90° | 0° | 50° | 90° | 0° | 50° | 90° | 0° | 50° | 90° |
| DAPS-0053 | | | | | | | | | | | | | | | | | | |
| 1 | 17.5 | 13 | 26.5 | - | | | - | | | - | | | - | | | - | | |
| 2 | 22 | 16.5 | 33 | 56.6 | 30.6 | 45.6 | 66 | 36.3 | 55 | - | | | - | | | - | | |
| 3 | 26 | 19.5 | 40 | 52.6 | 26.9 | 38.6 | 62 | 32.5 | 48 | 68.3 | 36.2 | 54.3 | 84 | 45.5 | 70 | 99.7 | 54.8 | 85.7 |
| 4 | 35 | 26 | 53 | 43.6 | 20.4 | 25.6 | 53 | 26 | 35 | 59.3 | 29.7 | 41.3 | 75 | 39 | 57 | 90.7 | 48.3 | 72.7 |
| DAPS-0090 | | | | | | | | | | | | | | | | | | |
| 1 | 30 | 22.5 | 45 | - | | | - | | | - | | | - | | | - | | |
| 2 | 37.5 | 28.1 | 56.3 | 96.5 | 52.2 | 77.7 | 112.6 | 61.9 | 93.8 | - | | | - | | | - | | |
| 3 | 45 | 33.9 | 67.5 | 88.9 | 46.8 | 66.4 | 105 | 56.5 | 82.5 | 115.7 | 63 | 93.2 | 142.5 | 79.1 | 120 | 169.3 | 95.2 | 146.8 |
| 4 | 60 | 45 | 90 | 73.9 | 35.4 | 43.9 | 90 | 45 | 60 | 100.7 | 51.4 | 70.7 | 127.5 | 67.5 | 97.5 | 154.3 | 83.6 | 124.3 |
| DAPS-0120 | | | | | | | | | | | | | | | | | | |
| 1 | 40 | 30 | 60 | - | | | - | | | - | | | - | | | - | | |
| 2 | 50 | 37.5 | 75 | 128.6 | 69.6 | 103.6 | 150 | 82.5 | 125 | - | | | - | | | - | | |
| 3 | 60 | 45 | 90 | 118.6 | 62.1 | 88.6 | 140 | 75 | 110 | 154.3 | 83.6 | 124.3 | 190 | 105 | 160 | 225.7 | 126.4 | 195.7 |
| 4 | 80 | 60 | 120 | 98.6 | 47.1 | 58.6 | 120 | 60 | 80 | 134.3 | 68.6 | 94.3 | 170 | 90 | 130 | 205.7 | 111.4 | 165.7 |
| DAPS-0180 | | | | | | | | | | | | | | | | | | |
| 1 | 60 | 45 | 90 | - | | | - | | | - | | | - | | | - | | |
| 2 | 75 | 56.3 | 112.5 | 192.9 | 104.5 | 155.4 | 225 | 123.8 | 187.5 | - | | | - | | | - | | |
| 3 | 90 | 67.5 | 135 | 177.9 | 93.2 | 132.9 | 210 | 112.5 | 165 | 231.4 | 125.4 | 186.4 | 285 | 157.5 | 240 | 338.6 | 189.6 | 293.6 |
| 4 | 120 | 90 | 180 | 147.9 | 70.7 | 87.9 | 180 | 90 | 120 | 201.4 | 102.9 | 141.4 | 255 | 135 | 195 | 308.6 | 167.1 | 248.6 |
| DAPS-0240 | | | | | | | | | | | | | | | | | | |
| 1 | 80 | 60 | 120 | - | | | - | | | - | | | - | | | - | | |
| 2 | 100 | 75 | 150 | 257.1 | 139.3 | 207.1 | 300 | 165 | 250 | - | | | - | | | - | | |
| 3 | 120 | 90 | 180 | 237.1 | 124.3 | 177.1 | 280 | 150 | 220 | 308.6 | 167.1 | 248.6 | 380 | 210 | 320 | 451.4 | 252.9 | 391.4 |
| 4 | 160 | 120 | 240 | 197.1 | 94.3 | 117.1 | 240 | 120 | 160 | 268.6 | 137.1 | 188.6 | 340 | 180 | 260 | 411.4 | 222.9 | 331.4 |

Torque for size at 5.6 bar and swivel angle 0°




Note

The operating torque of the drive must not be higher than the maximum permissible torque listed in ISO 5211, with reference to the size of the mounting flange and of the coupling.

Quarter turn actuators DAPS with handwheel, single-acting

Technical data

| Actual torque [Nm] as a function of operating pressure [bar], spring strength and swivel angle [°] | | | | | | | | | | | | | | | | | | |
|--|--------------------|-------|-----|--------------------------|-------|-------|-----|-----|-----|-------|-------|-------|-----|-------|-----|-----|-------|-----|
| Spring strength | Spring torque [Nm] | | | Operating pressure [bar] | | | | | | | | | | | | | | |
| | | | | 2.5 | | | 2.8 | | | 3 | | | 3.5 | | | 4.2 | | |
| | 0° | 50° | 90° | 0° | 50° | 90° | 0° | 50° | 90° | 0° | 50° | 90° | 0° | 50° | 90° | 0° | 50° | 90° |
| DAPS-0360 | | | | | | | | | | | | | | | | | | |
| 1 | 120 | 90 | 180 | 137.1 | 64.3 | 77.1 | 180 | 90 | 120 | 201.4 | 102.9 | 141.4 | 255 | 135 | 195 | 330 | 180 | 270 |
| 2 | 150 | 112.5 | 225 | - | - | - | - | - | - | 171.4 | 80.4 | 96.4 | 225 | 112.5 | 150 | 300 | 157.5 | 225 |
| 3 | 180 | 135 | 270 | - | - | - | - | - | - | - | - | - | 195 | 90 | 105 | 270 | 135 | 180 |
| 4 | 240 | 180 | 360 | - | - | - | - | - | - | - | - | - | - | - | - | - | - | - |
| DAPS-0480 | | | | | | | | | | | | | | | | | | |
| 1 | 160 | 120 | 240 | 182.9 | 85.7 | 102.9 | 240 | 120 | 160 | 268.6 | 137.1 | 188.6 | 340 | 180 | 260 | 440 | 240 | 360 |
| 2 | 200 | 150 | 300 | - | - | - | - | - | - | 228.6 | 107.1 | 128.6 | 300 | 150 | 200 | 400 | 210 | 300 |
| 3 | 240 | 180 | 360 | - | - | - | - | - | - | - | - | - | 260 | 120 | 140 | 360 | 180 | 240 |
| 4 | 320 | 240 | 480 | - | - | - | - | - | - | - | - | - | - | - | - | - | - | - |
| DAPS-0720 | | | | | | | | | | | | | | | | | | |
| 1 | 240 | 180 | 360 | 274.3 | 128.6 | 154.3 | 360 | 180 | 240 | 402.9 | 205.7 | 282.9 | 510 | 270 | 390 | 660 | 360 | 540 |
| 2 | 300 | 225 | 450 | - | - | - | - | - | - | 342.9 | 160.7 | 192.9 | 450 | 225 | 300 | 600 | 315 | 450 |
| 3 | 360 | 270 | 540 | - | - | - | - | - | - | - | - | - | 390 | 180 | 210 | 540 | 270 | 360 |
| 4 | 480 | 360 | 720 | - | - | - | - | - | - | - | - | - | - | - | - | - | - | - |
| DAPS-0960 | | | | | | | | | | | | | | | | | | |
| 1 | 320 | 240 | 480 | 366 | 171 | 206 | 480 | 240 | 320 | 537 | 274 | 377 | 680 | 360 | 520 | 880 | 480 | 720 |
| 2 | 400 | 300 | 600 | - | - | - | - | - | - | 457 | 214 | 257 | 600 | 300 | 400 | 800 | 420 | 600 |
| 3 | 480 | 360 | 720 | - | - | - | - | - | - | - | - | - | 520 | 240 | 280 | 720 | 360 | 480 |
| 4 | 640 | 480 | 960 | - | - | - | - | - | - | - | - | - | - | - | - | - | - | - |

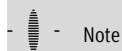
 - Note
 The operating torque of the drive must not be higher than the maximum permissible torque listed in ISO 5211, with reference to the size of the mounting flange and of the coupling.

Quarter turn actuators DAPS with handwheel, single-acting

Technical data

| Actual torque [Nm] as a function of operating pressure [bar], spring strength and swivel angle [°] | | | | | | | | | | | | | | | | | | | |
|--|--------------------|-------|-----|--------------------------|-------|-------|------|-------|------|-------|-------|-------|------|-----|------|-------|-------|-------|--|
| Spring strength | Spring torque [Nm] | | | Operating pressure [bar] | | | | | | | | | | | | | | | |
| | | | | 5 | | | 5.6 | | | 6 | | | 7 | | | 8 | | | |
| | 0° | 50° | 90° | 0° | 50° | 90° | 0° | 50° | 90° | 0° | 50° | 90° | 0° | 50° | 90° | 0° | 50° | 90° | |
| DAPS-0360 | | | | | | | | | | | | | | | | | | | |
| 1 | 120 | 90 | 180 | - | | | - | | | - | | | - | | | - | | | |
| 2 | 150 | 112.5 | 225 | 385.7 | 208.9 | 310.7 | 450 | 247.5 | 375 | - | | | - | | | - | | | |
| 3 | 180 | 135 | 270 | 355.7 | 186.4 | 265.7 | 420 | 225 | 330 | 462.9 | 250.7 | 372.9 | 570 | 315 | 480 | 677.1 | 379.3 | 587.1 | |
| 4 | 240 | 180 | 360 | 295.7 | 141.4 | 175.7 | 360 | 180 | 240 | 402.9 | 205.7 | 282.9 | 510 | 270 | 390 | 617.1 | 334.3 | 497.1 | |
| DAPS-0480 | | | | | | | | | | | | | | | | | | | |
| 1 | 160 | 120 | 240 | - | | | - | | | - | | | - | | | - | | | |
| 2 | 200 | 150 | 300 | 514.3 | 278.6 | 414.3 | 600 | 330 | 500 | - | | | - | | | - | | | |
| 3 | 240 | 180 | 360 | 474.3 | 248.6 | 354.3 | 560 | 300 | 440 | 617.1 | 334.3 | 497.1 | 760 | 420 | 640 | 902.9 | 505.7 | 782.9 | |
| 4 | 320 | 240 | 480 | 394.3 | 188.6 | 234.3 | 480 | 240 | 320 | 537.1 | 274.3 | 377.1 | 680 | 360 | 520 | 822.9 | 445.7 | 662.9 | |
| DAPS-0720 | | | | | | | | | | | | | | | | | | | |
| 1 | 240 | 180 | 360 | - | | | - | | | - | | | - | | | - | | | |
| 2 | 300 | 225 | 450 | 771.4 | 417.9 | 621.4 | 900 | 495 | 750 | - | | | - | | | - | | | |
| 3 | 360 | 270 | 540 | 711.4 | 372.9 | 531.4 | 840 | 450 | 660 | 925.7 | 501.4 | 745.7 | 1140 | 630 | 960 | 1354 | 758.6 | 1,174 | |
| 4 | 480 | 360 | 720 | 591.4 | 282.9 | 351.4 | 720 | 360 | 480 | 805.7 | 411.4 | 565.7 | 1020 | 540 | 780 | 1234 | 668.6 | 994.3 | |
| DAPS-0960 | | | | | | | | | | | | | | | | | | | |
| 1 | 320 | 240 | 480 | - | | | - | | | - | | | - | | | - | | | |
| 2 | 400 | 300 | 600 | 1029 | 557 | 829 | 1200 | 660 | 1000 | - | | | - | | | - | | | |
| 3 | 480 | 360 | 720 | 949 | 497 | 709 | 1120 | 600 | 880 | 1234 | 669 | 994 | 1520 | 840 | 1280 | 1806 | 1011 | 1566 | |
| 4 | 640 | 480 | 960 | 789 | 377 | 469 | 960 | 480 | 640 | 1074 | 549 | 754 | 1360 | 720 | 1040 | 1646 | 891 | 1326 | |

Torque for size at 5.6 bar and swivel angle 0°



Note

The operating torque of the drive must not be higher than the maximum permissible torque listed in ISO 5211, with reference to the size of the mounting flange and of the coupling.

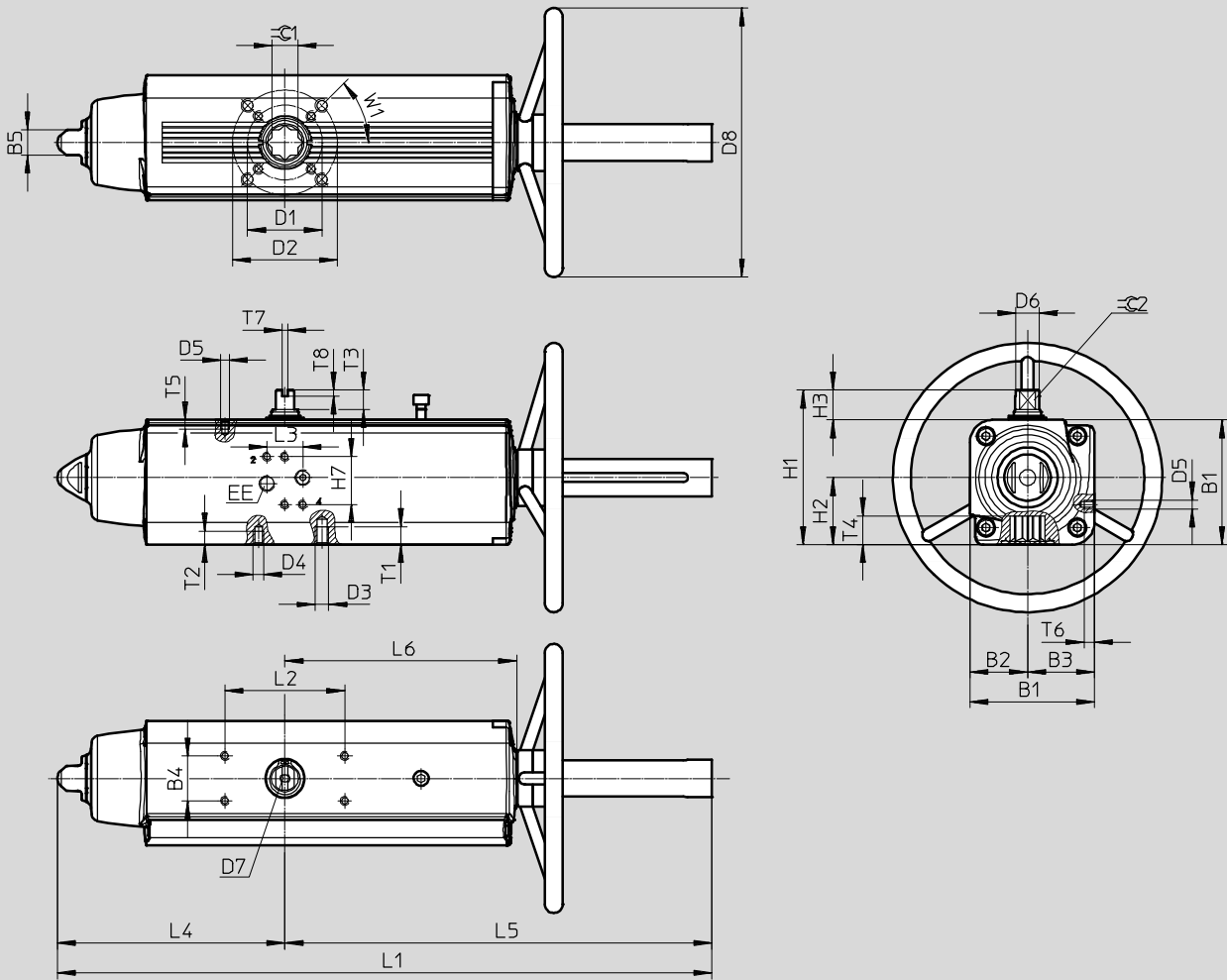
Quarter turn actuators DAPS with handwheel, single-acting

Technical data

FESTO

Dimensions

Download CAD data → www.festo.com



Quarter turn actuators DAPS with handwheel, single-acting

Technical data

| Size | B1 ±0.4 | B2 | B3 | B4 | B5 | D1 ∅ | D2 ∅ | D3 | D4 | D5 | D6 ∅ | D7 |
|-------------------------|------------|------|-------|----|----|---------|---------|-----|-----|----|---------|-------|
| DAPS-0053-...-F0507-... | 83.3 | 38.5 | 44.8 | 30 | 17 | 50 | 70 | M8 | M6 | M5 | 16.2 | M6x12 |
| DAPS-0090-...-F0710-... | 107.5 | 51 | 56.5 | 30 | 22 | 70 | 102 | M10 | M8 | M5 | 20.2 | M6x12 |
| DAPS-0120-...-F0710-... | 111.1 | 51 | 60.1 | 30 | 22 | 70 | 102 | M10 | M8 | M5 | 22.5 | M6x12 |
| DAPS-0180-...-F0710-... | 118 | 56 | 62 | 30 | 22 | 70 | 102 | M10 | M8 | M5 | 25.5 | M6x12 |
| DAPS-0240-...-F1012-... | 134.9 | 62 | 72.9 | 30 | 27 | 102 | 125 | M12 | M10 | M5 | 29 | M6x12 |
| DAPS-0360-...-F1012-... | 148 | 69.5 | 78.5 | 30 | 27 | 102 | 125 | M12 | M10 | M5 | 31.8 | M6x12 |
| DAPS-0480-...-F1012-... | 168 | 74.5 | 93.5 | 30 | 27 | 102 | 125 | M12 | M10 | M5 | 36.5 | M6x12 |
| DAPS-0480-...-F14-... | 168 | 74.5 | 93.5 | 30 | 27 | - | 140 | M16 | - | M5 | 36.5 | M6x12 |
| DAPS-0720-...-F12-... | 186 | 84.5 | 101.5 | 30 | 36 | - | 125 | M12 | - | M5 | 41 | M6x12 |
| DAPS-0720-...-F14-... | 186 | 84.5 | 101.5 | 30 | 36 | - | 140 | M16 | - | M5 | 41 | M6x12 |
| DAPS-0960-...-F14-... | 207.7 | 93 | 114.7 | 30 | 36 | - | 140 | M16 | - | M5 | 46 | M6x12 |
| DAPS-0960-...-F1216-... | 207.7 | 93 | 114.7 | 30 | 36 | 125 | 165 | M20 | M12 | M5 | 46 | M6x12 |

| Size | D8 ∅ | EE | H1 | H2 | H3 | H7 | L1 ±2 | L2 | L3 | L4 | L5 | L6 |
|-------------------------|---------|------|-------|-------|--------|----|----------|----|----|-------|-------|-------|
| DAPS-0053-...-F0507-... | 180 | G1/8 | 103.3 | 44.8 | 20±0.4 | 32 | 437.5 | 80 | 24 | 152.1 | 285.4 | 154.8 |
| DAPS-0090-...-F0710-... | 220 | G1/8 | 137.5 | 56.5 | 30±0.4 | 32 | 545.1 | 80 | 24 | 196.8 | 348.3 | 183.5 |
| DAPS-0120-...-F0710-... | 220 | G1/8 | 141.1 | 60.1 | 30±0.4 | 32 | 568.6 | 80 | 24 | 204.8 | 363.9 | 199.1 |
| DAPS-0180-...-F0710-... | 300 | G1/8 | 148 | 62 | 30±0.4 | 32 | 646.1 | 80 | 24 | 237 | 409.1 | 220.8 |
| DAPS-0240-...-F1012-... | 300 | G1/4 | 164.9 | 72.9 | 30±0.4 | 32 | 685.2 | 80 | 24 | 260.2 | 425 | 236.4 |
| DAPS-0360-...-F1012-... | 350 | G1/4 | 178 | 78.5 | 30±0.4 | 32 | 822.8 | 80 | 24 | 306.6 | 516.2 | 282.3 |
| DAPS-0480-...-F1012-... | 350 | G1/4 | 198 | 93.5 | 30±0.5 | 32 | 854.6 | 80 | 24 | 324.1 | 530.5 | 297.1 |
| DAPS-0480-...-F14-... | 350 | G1/4 | 198 | 93.5 | 30±0.5 | 32 | 854.6 | 80 | 24 | 324.1 | 530.5 | 297.1 |
| DAPS-0720-...-F12-... | 400 | G1/4 | 216 | 101.5 | 30±0.5 | 32 | 1052.4 | 80 | 24 | 399 | 653.4 | 365.6 |
| DAPS-0720-...-F14-... | 400 | G1/4 | 216 | 101.5 | 30±0.5 | 32 | 1052.4 | 80 | 24 | 399 | 653.4 | 365.6 |
| DAPS-0960-...-F14-... | 400 | G1/4 | 237.7 | 114.7 | 30±0.8 | 32 | 1084 | 80 | 24 | 414 | 670 | 382.9 |
| DAPS-0960-...-F1216-... | 400 | G1/4 | 237.7 | 114.7 | 30±0.8 | 32 | 1084 | 80 | 24 | 414 | 670 | 382.9 |

| Size | T1 | T2 | T3 | T4 | T5 | T6 | T7 +0.1 | T8 +0.3 | ≈C 1 H11 | ≈C 2 h11 | W1 |
|-------------------------|----|----|------|----------|----|----|------------|------------|-------------|-------------|-----|
| DAPS-0053-...-F0507-... | 12 | 9 | 13 | 19.3±0.4 | 6 | 7 | 4 | 4 | 17 | 12 | 45° |
| DAPS-0090-...-F0710-... | 15 | 12 | 16 | 24.8±0.4 | 6 | 7 | 4 | 4 | 22 | 15 | 45° |
| DAPS-0120-...-F0710-... | 15 | 12 | 17 | 24.8±0.4 | 6 | 7 | 4 | 4 | 22 | 15 | 45° |
| DAPS-0180-...-F0710-... | 15 | 12 | 19 | 24.3±0.4 | 6 | 7 | 4 | 4 | 22 | 19 | 45° |
| DAPS-0240-...-F1012-... | 18 | 15 | 19 | 29.5±0.4 | 6 | 7 | 4 | 4 | 27 | 19 | 45° |
| DAPS-0360-...-F1012-... | 18 | 15 | 19.5 | 29.5±0.4 | 6 | 7 | 4 | 4 | 27 | 22 | 45° |
| DAPS-0480-...-F1012-... | 18 | 15 | 19.5 | 38.5±0.5 | 6 | 7 | 4 | 4 | 36 | 24 | 45° |
| DAPS-0480-...-F14-... | 24 | - | 19.5 | 38.5±0.5 | 6 | 7 | 4 | 4 | 36 | 24 | 45° |
| DAPS-0720-...-F12-... | 18 | - | 19.5 | 38.5±0.5 | 6 | 7 | 4 | 4 | 36 | 27 | 45° |
| DAPS-0720-...-F14-... | 24 | - | 19.5 | 38.5±0.5 | 6 | 7 | 4 | 4 | 36 | 27 | 45° |
| DAPS-0960-...-F14-... | 24 | - | 18.5 | 48.5±0.8 | 6 | 7 | 4 | 4 | 46 | 32 | 45° |
| DAPS-0960-...-F1216-... | 30 | 18 | 18.5 | 48.5±0.8 | 6 | 7 | 4 | 4 | 46 | 32 | 45° |

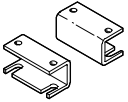
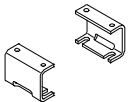
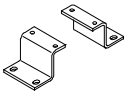
Quarter turn actuators DAPS with handwheel, single-acting

Technical data

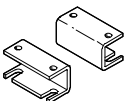
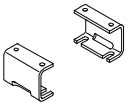
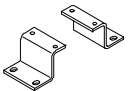
| Ordering data – Single-acting | | Ordering data – Single-acting | |
|-------------------------------|----------------------------|-------------------------------|----------------------------|
| Part No. | Type | Part No. | Type |
| Size 0053 | | Size 0480 | |
| 8005026 | DAPS-0053-090-RS1-F0507-MW | 8005050 | DAPS-0480-090-RS1-F1012-MW |
| 8005027 | DAPS-0053-090-RS2-F0507-MW | 8005051 | DAPS-0480-090-RS1-F14-MW |
| 8005028 | DAPS-0053-090-RS3-F0507-MW | 8005052 | DAPS-0480-090-RS2-F1012-MW |
| 8005029 | DAPS-0053-090-RS4-F0507-MW | 8005053 | DAPS-0480-090-RS2-F14-MW |
| Size 0090 | | 8005054 | DAPS-0480-090-RS3-F1012-MW |
| 8005030 | DAPS-0090-090-RS1-F0710-MW | 8005055 | DAPS-0480-090-RS3-F14-MW |
| 8005031 | DAPS-0090-090-RS2-F0710-MW | 8005056 | DAPS-0480-090-RS4-F1012-MW |
| 8005032 | DAPS-0090-090-RS3-F0710-MW | 8005057 | DAPS-0480-090-RS4-F14-MW |
| 8005033 | DAPS-0090-090-RS4-F0710-MW | Size 0720 | |
| Size 0120 | | 8005058 | DAPS-0720-090-RS1-F12-MW |
| 8005034 | DAPS-0120-090-RS1-F0710-MW | 8005059 | DAPS-0720-090-RS1-F14-MW |
| 8005035 | DAPS-0120-090-RS2-F0710-MW | 8005060 | DAPS-0720-090-RS2-F12-MW |
| 8005036 | DAPS-0120-090-RS3-F0710-MW | 8005061 | DAPS-0720-090-RS2-F14-MW |
| 8005037 | DAPS-0120-090-RS4-F0710-MW | 8005062 | DAPS-0720-090-RS3-F12-MW |
| Size 0180 | | 8005063 | DAPS-0720-090-RS3-F14-MW |
| 8005038 | DAPS-0180-090-RS1-F0710-MW | 8005064 | DAPS-0720-090-RS4-F12-MW |
| 8005039 | DAPS-0180-090-RS2-F0710-MW | 8005065 | DAPS-0720-090-RS4-F14-MW |
| 8005040 | DAPS-0180-090-RS3-F0710-MW | Size 0960 | |
| 8005041 | DAPS-0180-090-RS4-F0710-MW | 8005067 | DAPS-0960-090-RS1-F1216-MW |
| Size 0240 | | 8005066 | DAPS-0960-090-RS1-F14-MW |
| 8005042 | DAPS-0240-090-RS1-F1012-MW | 8005069 | DAPS-0960-090-RS2-F1216-MW |
| 8005043 | DAPS-0240-090-RS2-F1012-MW | 8005068 | DAPS-0960-090-RS2-F14-MW |
| 8005044 | DAPS-0240-090-RS3-F1012-MW | 8005071 | DAPS-0960-090-RS3-F1216-MW |
| 8005045 | DAPS-0240-090-RS4-F1012-MW | 8005070 | DAPS-0960-090-RS3-F14-MW |
| Size 0360 | | 8005073 | DAPS-0960-090-RS4-F1216-MW |
| 8005046 | DAPS-0360-090-RS1-F1012-MW | 8005072 | DAPS-0960-090-RS4-F14-MW |
| 8005047 | DAPS-0360-090-RS2-F1012-MW | | |
| 8005048 | DAPS-0360-090-RS3-F1012-MW | | |
| 8005049 | DAPS-0360-090-RS4-F1012-MW | | |

Quarter turn actuators DAPS

Accessories

| Ordering data – Adapter kits for mounting the sensor boxes SRBP, SRAP | | | | | |
|---|-----------------------|-----------------|-------------------|----------|---------------|
| | Size | Dimensions [mm] | CRC ¹⁾ | Part No. | Type |
| DAPS – Double-acting | | | | | |
|  | DAPS-0015- ... -F03 | 20x30x80 | 3 | 568275 | DASB-P1-HA-SB |
| | DAPS-0015- ... -F04 | | | | |
| | DAPS-0030- ... -F0305 | | | | |
| | DAPS-0030- ... -F04 | | | | |
| | DAPS-0060- ... -F04 | | | | |
| | DAPS-0060- ... -F0507 | | | | |
| | DAPS-0106- ... -F0507 | | | | |
|  | DAPS-0180- ... -F0710 | 30x30x80 | | 572418 | DASB-P1-HB-SB |
| | DAPS-0240- ... -F0710 | | | | |
| | DAPS-0360- ... -F0710 | | | | |
| | DAPS-0480- ... -F1012 | | | | |
| | DAPS-0720- ... -F1012 | | | | |
| | DAPS-0960- ... -F12 | | | | |
| | DAPS-0960- ... -F14 | | | | |
| | DAPS-1440- ... -F12 | | | | |
| | DAPS-1440- ... -F14 | | | | |
| | DAPS-1920- ... -F14 | | | | |
| | DAPS-1920- ... -F1216 | | | | |
|  | DAPS-2880- ... -F16 | 30x30x130 | | 572419 | DASB-P1-HC-SB |
| | DAPS-3840- ... -F16 | | | | |
| | DAPS-5760- ... -F25 | | | | |
| | DAPS-8000- ... -F25 | | | | |
| | DAPS-8000- ... -F25 | | | | |

1) Corrosion resistance class CRC 3 to Festo standard FN 940070
High corrosion stress. Outdoor exposure under moderate corrosive conditions. External visible parts with primarily functional requirements for the surface and which are in direct contact with a normal industrial environment.

| Ordering data – Adapter kits for mounting the sensor boxes SRBP, SRAP | | | | | |
|---|-----------------------|-----------------|-------------------|----------|---------------|
| | Size | Dimensions [mm] | CRC ¹⁾ | Part No. | Type |
| DAPS – Single-acting | | | | | |
|  | DAPS-0015- ... -F0305 | 20x30x80 | 3 | 568275 | DASB-P1-HA-SB |
| | DAPS-0015- ... -F04 | | | | |
| | DAPS-0030- ... -F04 | | | | |
| | DAPS-0030- ... -F0507 | | | | |
| | DAPS-0053- ... -F0507 | | | | |
|  | DAPS-0090- ... -F0710 | 30x30x80 | | 572418 | DASB-P1-HB-SB |
| | DAPS-0120- ... -F0710 | | | | |
| | DAPS-0180- ... -F0710 | | | | |
| | DAPS-0240- ... -F1012 | | | | |
| | DAPS-0360- ... -F1012 | | | | |
| | DAPS-0480- ... -F12 | | | | |
| | DAPS-0480- ... -F14 | | | | |
| | DAPS-0720- ... -F12 | | | | |
| | DAPS-0720- ... -F14 | | | | |
| | DAPS-0960- ... -F14 | | | | |
| | DAPS-0960- ... -F1216 | | | | |
|  | DAPS-1440- ... -F16 | 30x30x130 | | 572419 | DASB-P1-HC-SB |
| | DAPS-1920- ... -F16 | | | | |
| | DAPS-2880- ... -F16 | | | | |
| | DAPS-4000- ... -F25 | | | | |

1) Corrosion resistance class CRC 3 to Festo standard FN 940070
High corrosion stress. Outdoor exposure under moderate corrosive conditions. External visible parts with primarily functional requirements for the surface and which are in direct contact with a normal industrial environment.