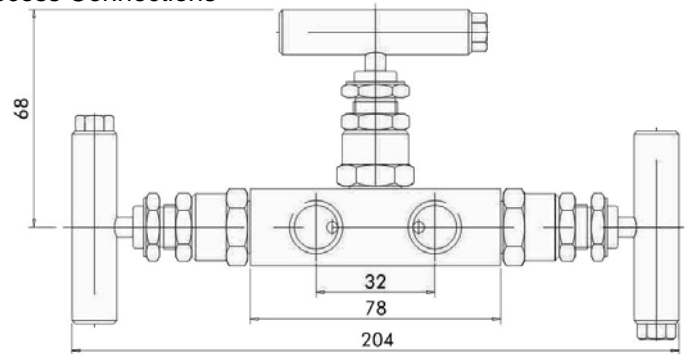
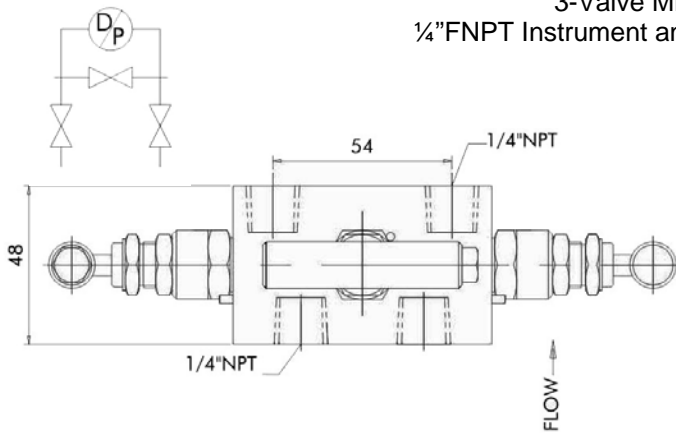


Dimensional Information

#113343

3-Valve Mini- Manifold

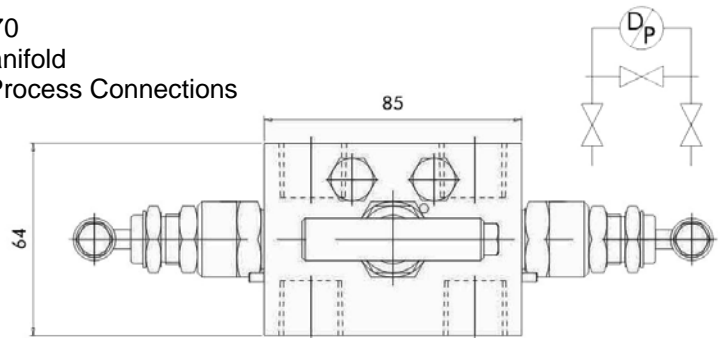
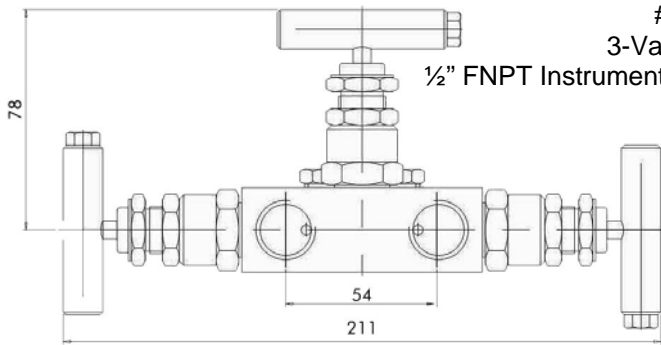
1/4" FNPT Instrument and Process Connections



#107470

3-Valve Manifold

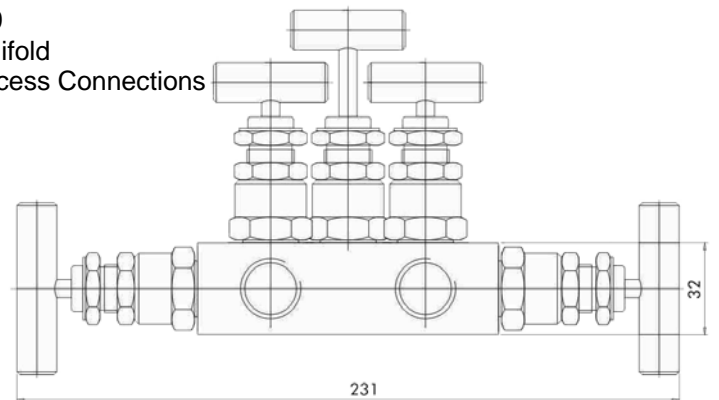
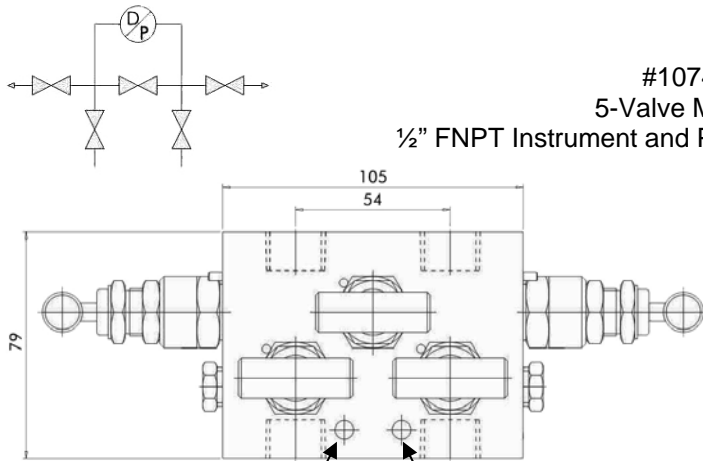
1/2" FNPT Instrument and Process Connections



#107469

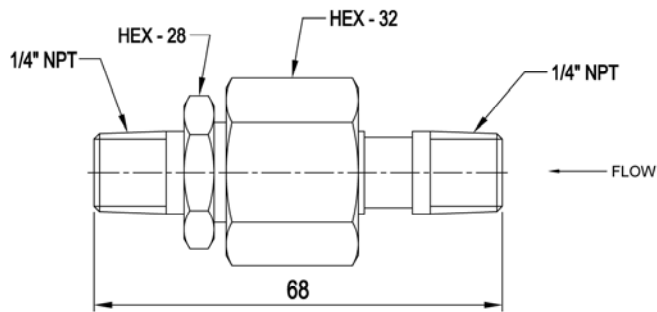
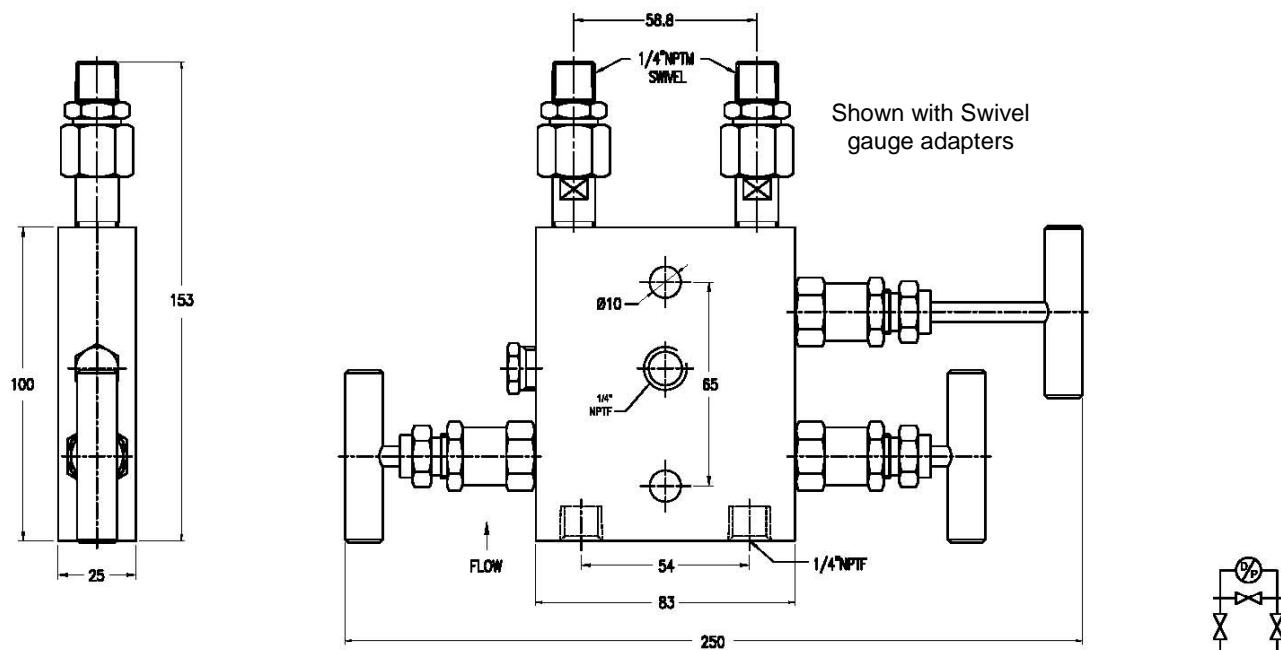
5-Valve Manifold

1/2" FNPT Instrument and Process Connections

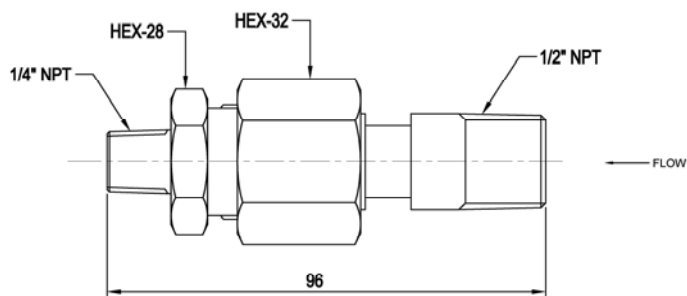


(2) Mtg Holes
.250 Diameter
.775 center to center

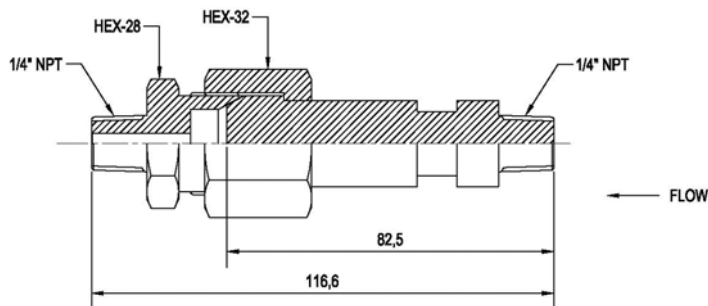
#107467 3-Valve Direct Mount Manifold
 58.8 MM C/C Instrument connection for Model 116 only
 54 MM Process connections



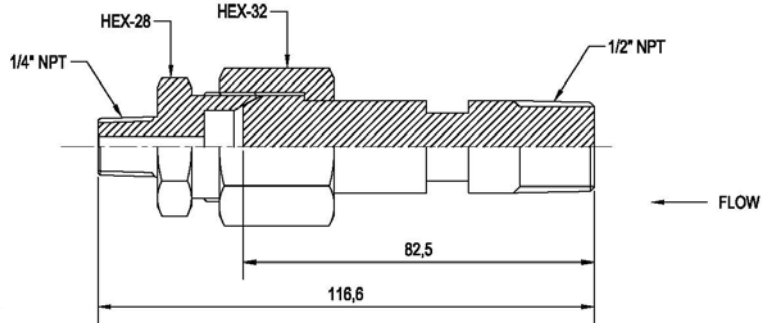
#171553 Swivel Gauge Adapter



#171554 Swivel Gauge Adapter



#172338 Swivel Gauge Adapter



#172336 Swivel Gauge Adapter