

SOUNDING COCK

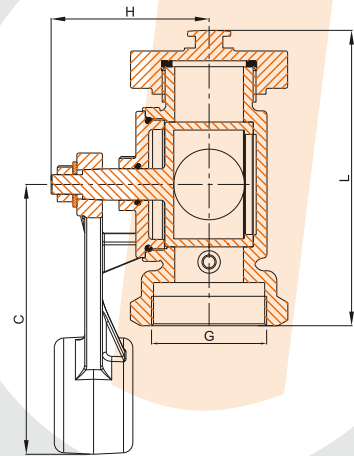
DIN



Fig 813GG

Bronze
With Test Valve

- DIN 86120
- 90° Turning Bronze Lever
- Threaded BSP PN 2.5
- Options
814GG With Foot Pedal



DN [mm]	G ["]	L [mm]	H [mm]	C [mm]	Weight [Kg]	IMPA	Order Code
32	1 1/4	150	75	185	4.5	-	813GG032
40	1 1/2	150	75	185	4	-	813GG040
50	2	150	75	185	4	-	813GG050
65	2 1/2	150	75	185	4	-	813GG065