

# ANGLE SELF CLOSING VALVE

DIN

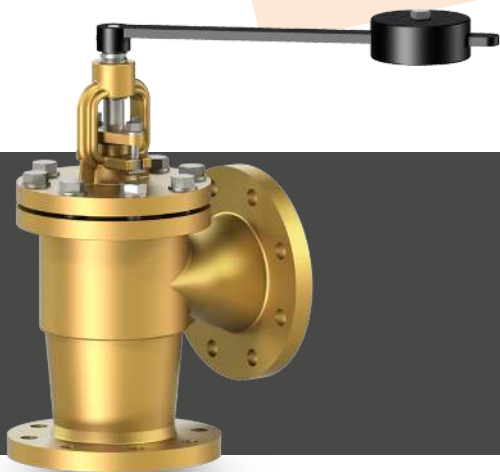
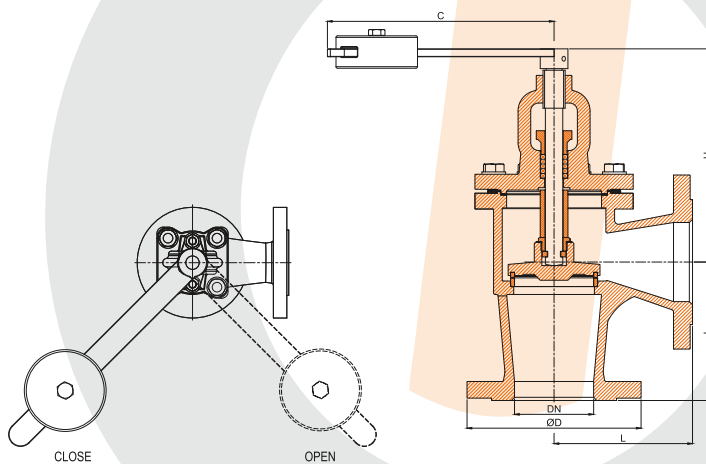


Fig 802GC

Bronze / SS  
With Lever

- DIN 3202 F32
- Flanged PN 16



DN [mm]	ØD [mm]	L [mm]	H [mm]	C [mm]	Weight [Kg]	IMPA	Order Code
15	95	90	153	242	5	-	802GC015
20	105	95	153	242	5.5	-	802GC020
25	115	100	153	242	6	-	802GC025
32	140	105	158	242	9	-	802GC032
40	150	115	203	292	13	-	802GC040
50	165	125	208	292	15	-	802GC050
65	185	145	208	292	20	-	802GC065
80	200	155	240	292	28	-	802GC080
100	220	175	260	292	38	-	802GC100

\*All information are indicative data. JONAS has the rights to make changes without prior notice.