

SWING CHECK VALVE

DIN

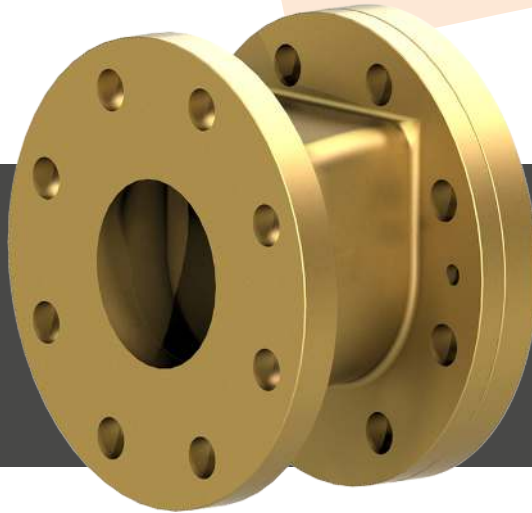
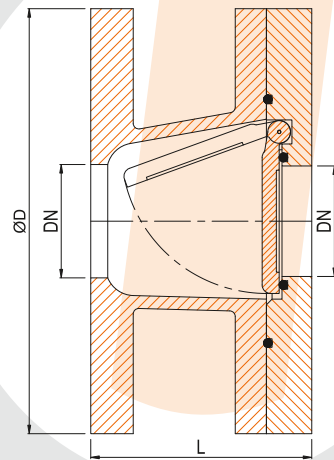


Fig 489IC

Bronze / ALBR
Full Bore

- Short Type
- NBR
- Flanged PN 16

- Options
490IC With EPDM Sealing
491IC Metal Seated



DN [mm]	ØD [mm]	L [mm]	OPH [mmwk]	Weight [Kg]	IMPA	Order Code
15	95	65	230	2.1	-	489IC015
20	105	65	233	2.5	-	489IC020
25	115	70	233	3.0	-	489IC025
32	140	75	237	5.0	-	489IC032
40	150	80	243	6.0	-	489IC040
50	165	85	250	7.0	-	489IC050
65	185	105	110	9.0	-	489IC065
80	200	125	126	11	-	489IC080
100	220	145	126	16	-	489IC100
125	250	170	128	21	-	489IC125
150	285	200	158	29	-	489IC150
200	340	255	160	42	-	489IC200

*All information are indicative data. JONAS has the rights to make changes without prior notice.