

# SWING CHECK VALVE

DIN

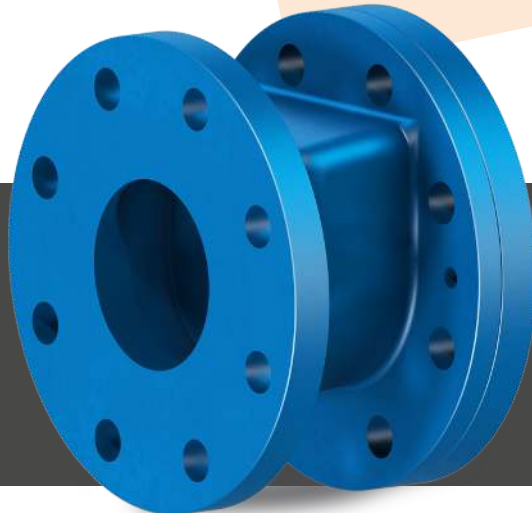
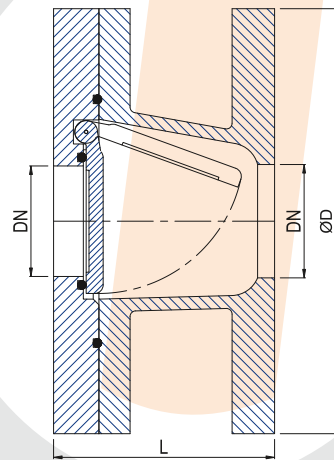


Fig 489CC

Ductile Iron / Bronze  
Full Bore

- Short Type
- NBR
- Flanged PN 16
  
- Options  
490CC With EPDM Sealing  
491CC Metal Seated



DN [mm]	ØD [mm]	L [mm]	OPH [mmwk]	Weight [Kg]	IMPA	Order Code
15	95	65	230	2	-	489CC015
20	105	65	233	2	-	489CC020
25	115	70	233	3	-	489CC025
32	140	75	237	4	-	489CC032
40	150	80	243	5	-	489CC040
50	165	85	250	6	-	489CC050
65	185	105	110	8	-	489CC065
80	200	125	126	10	-	489CC080
100	220	145	126	14	-	489CC100
125	250	170	128	20	-	489CC125
150	285	200	158	26	-	489CC150
200	340	255	160	42	-	489CC200

\*All information are indicative data. JONAS has the rights to make changes without prior notice.