

SWING CHECK VALVE

DIN

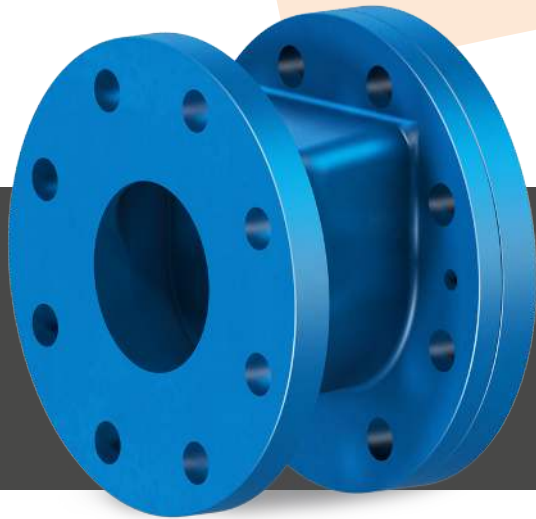
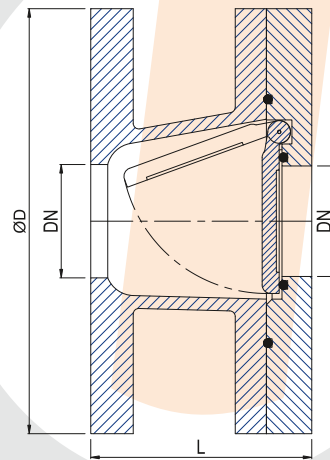


Fig 489BC

Cast Iron / SS
Full Bore

- Short Type
- NBR
- Flanged PN 16

- Options
490BC With EPDM Sealing
491BC Metal Seated



DN [mm]	ØD [mm]	L [mm]	OPH [mmwk]	Weight [Kg]	IMPA	Order Code
15	95	65	230	2	-	489BC015
20	105	65	233	2	-	489BC020
25	115	70	233	3	-	489BC025
32	140	75	237	4	-	489BC032
40	150	80	243	5	-	489BC040
50	165	85	250	6	-	489BC050
65	185	105	110	8	-	489BC065
80	200	125	126	10	-	489BC080
100	220	145	126	14	-	489BC100
125	250	170	128	20	-	489BC125
150	285	200	158	26	-	489BC150
200	340	255	160	42	-	489BC200

*All information are indicative data. JONAS has the rights to make changes without prior notice.