

STRAIGHT GLOBE VALVE

DIN

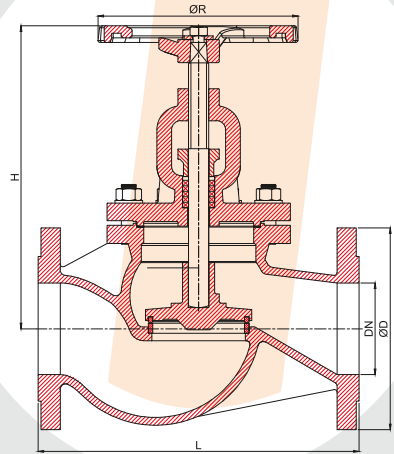


Fig 371DC

Ductile Iron / SS
SDNR Type

- DIN 3202 F1
- Bolted Bonnet
- Flanged PN 16

- Options
372DC With Indicator
373DC With Spring



DN [mm]	ØD [mm]	L [mm]	H [mm]	ØR [mm]	Weight [Kg]	IMPA	Order Code
15	95	130	165	120	3.8	-	371DC015
20	105	150	165	120	4	-	371DC020
25	115	160	175	140	5	-	371DC025
32	140	180	180	140	7	-	371DC032
40	150	200	220	160	11	-	371DC040
50	165	230	230	160	13	-	371DC050
65	185	290	245	180	18	-	371DC065
80	200	310	295	200	25	-	371DC080
100	220	350	330	225	35	-	371DC100
125	250	400	365	250	55	-	371DC125
150	285	480	420	300	75	-	371DC150
175	315	550	500	400	115	-	371DC175
200	340	600	510	400	135	-	371DC200

*All information are indicative data. JONAS has the rights to make changes without prior notice.