

**Specification**

Brand: Ebora  
 Type: QB18  
 Housing: Stainless steel CF8M  
 Design: API 608  
 Rating: 1000 PSI WOG  
 Thread: ISO228-1, BSPP  
 Inspection: API 598, EN12266

**Design features**

- Construction: 2-way
- Body construction: 2-piece, full bore
- Blow-out proof stem
- Antistatic device
- ISO 5211 standard actuator mounting pad
- Stem packing with O-ring design NBR
- Lockable lever
- Floating ball
- Pressure class 1000 PSI WOG
- Connection according to ISO 228-1 BSPP

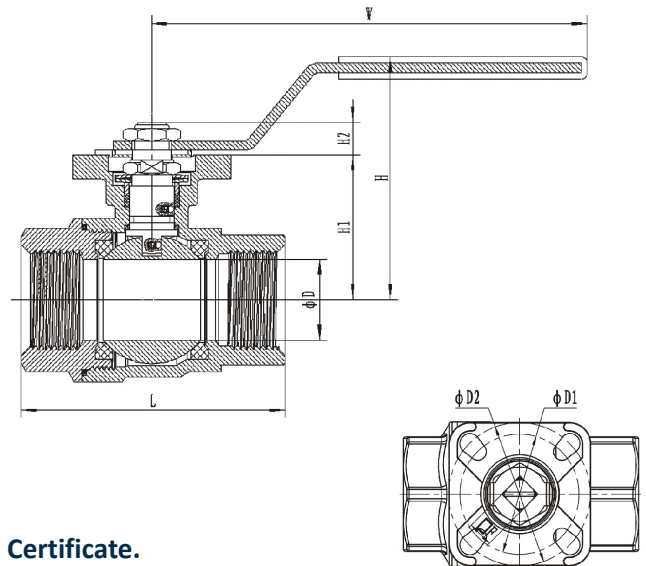
**Options**

- Connections: NPT ASME B 1.20.1, BS21, DIN2999/259, JIS B 0203, ISO7-1
- With worm gearbox, pneumatic or electric actuator
- Body materials: CF8 and WCB

**Application**

Light industrial applications up to 68 bar.

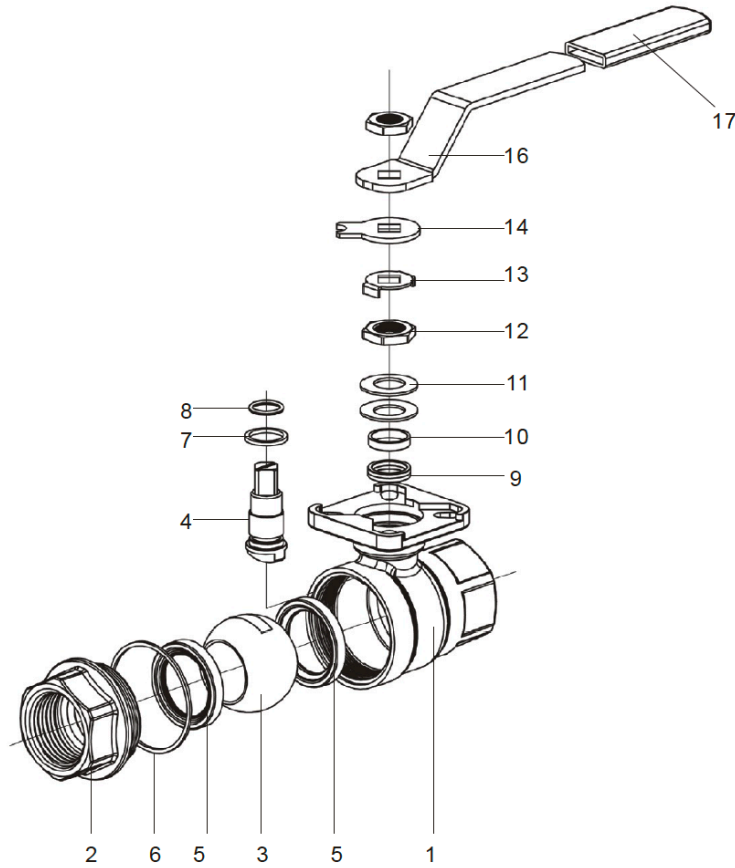
The ball valves are available upon request with a 3.1 Material Certificate.



**Dimensions**

| Size   | D    | L   | W   | H   | H1   | H2 | F  | D1 | D2 | ISO5211 |
|--------|------|-----|-----|-----|------|----|----|----|----|---------|
| 1/4"   | 11   | 50  | 115 | 63  | 37   | 9  | 9  | 36 | 42 | F03/F04 |
| 3/8"   | 12.5 | 50  | 115 | 63  | 37   | 9  | 9  | 36 | 42 | F03/F04 |
| 1/2"   | 15   | 55  | 115 | 63  | 38   | 9  | 9  | 36 | 42 | F03/F04 |
| 3/4"   | 20   | 76  | 137 | 73  | 42.5 | 9  | 9  | 36 | 42 | F03/F04 |
| 1"     | 25   | 83  | 137 | 75  | 46   | 9  | 9  | 42 | 50 | F04/F05 |
| 1-1/4" | 32   | 100 | 137 | 83  | 52   | 9  | 9  | 42 | 50 | F04/F05 |
| 1-1/2" | 38   | 103 | 205 | 94  | 60   | 11 | 11 | 50 | 70 | F05/F07 |
| 2"     | 50   | 136 | 205 | 104 | 69.5 | 11 | 11 | 50 | 70 | F05/F07 |

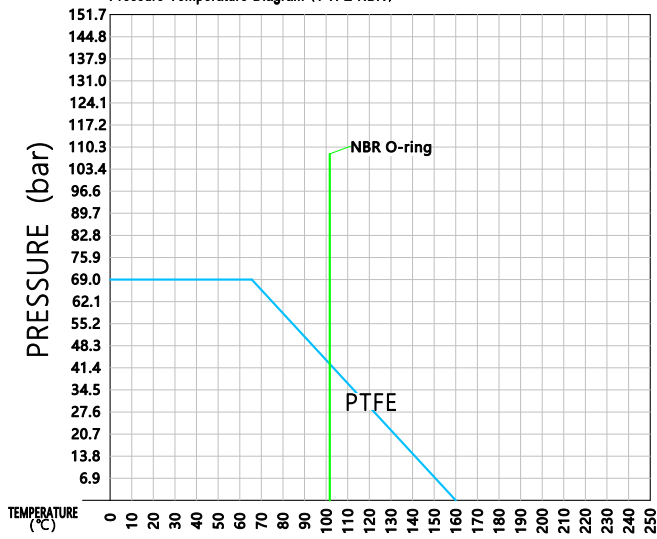
Part Drawing



| No | Item            | Material  | Material  | Material  |
|----|-----------------|-----------|-----------|-----------|
| 1  | Body            | CF8M      | CF8       | WCB       |
| 2  | Cap             | CF8M      | CF8       | WCB       |
| 3  | Ball            | F316      | F304      | F304      |
| 4  | Stem            | F316      | F304      | F304      |
| 5  | Seat            | PTFE/RTFE | PTFE/RTFE | PTFE/RTFE |
| 6  | Cap gasket      | PTFE      | PTFE      | PTFE      |
| 7  | Gasket          | PTFE      | PTFE      | PTFE      |
| 8  | O-ring          | VITON     | VITON     | VITON     |
| 9  | Stem packing    | PTFE      | PTFE      | PTFE      |
| 10 | Packing gland   | F304      | F304      | F304      |
| 11 | Spring washer   | SS301     | SS301     | SS301     |
| 12 | Nut             | A2-70     | A2-70     | A2-70     |
| 13 | Locking washer  | 304       | 304       | 304       |
| 14 | Position washer | 304       | 304       | 304       |
| 15 | Nut             | A2-70     | A2-70     | A2-70     |
| 16 | Handle          | 304       | 304       | 304       |
| 17 | Handle cover    | PVC       | PVC       | PVC       |

### Druck-Temperatur-Diagramm/Pressure-Temperature-Diagram

Druck-Temperatur-Diagramm ( PTFE-NBR )  
 Pressure-Temperature-Diagram ( PTFE-NBR )



|                   |          |          |          |          |          |          |          |          |       |    |    |
|-------------------|----------|----------|----------|----------|----------|----------|----------|----------|-------|----|----|
| Processconnection | 1/4      | 3/8      | 1/2      | 3/4      | 1        | 1 1/4    | 1 1/2    | 2        | 2 1/2 | 3  | 4  |
| Type QB18-311xx   | 21       | 22       | 23       | 24       | 25       | 26       | 27       | 28       | 29    | 30 | 31 |
| Pressure class    | PN63     | PN63     | PN63     | PN63     | PN63     | PN63     | PN63     | PN63     | x     | x  | x  |
| Item code         | 10179184 | 10179185 | 10179186 | 10179187 | 10179188 | 10179189 | 10179190 | 10179191 | x     | x  | x  |