

**Specification**

Brand: Ebor  
 Type: Q318  
 Housing: Stainless steel CF8M  
 Design: API 608  
 Rating: 1000 PSI 1/4"~2" 800 PSI 2 1/2"~4"  
 Connection: Thread: ISO228-1, BSPP or Butt weld ASME B 16.25  
 Inspection: API 598, EN12266



**Design features**

- Construction: 2-way
- Body construction: 3-piece, full bore
- Blow-out proof stem
- Lockable lever
- Floating ball
- Pressure class 1000/800 PSI WOG
- Connection according to ISO 228-1 BSPP or Butt weld ASME B 16.25

**Options**

- Connections: NPT ASME B 1.20.1, BS21, DIN2999/259, JIS B 0203, ISO7-1
- With "direct mount" top-flange in accordance with ISO 5211, type QC18
- With worm gearbox, pneumatic or electric actuator
- Body materials: CF8 and WCB

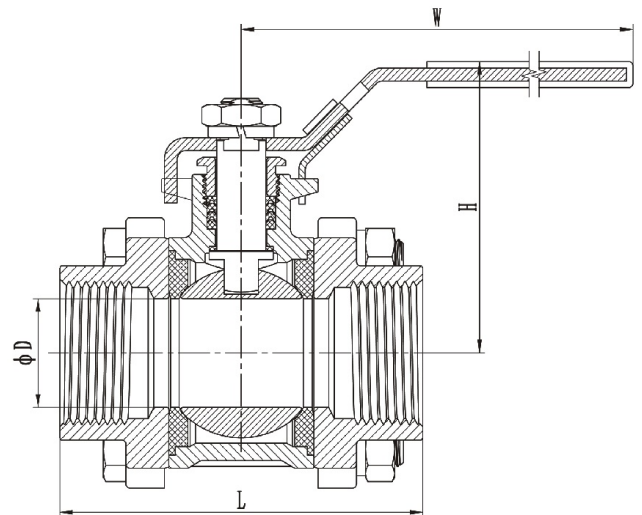
**Application**

Light industrial applications up to 68 bar.

**The ball valves are available upon request with a 3.1 Material Certificate.**

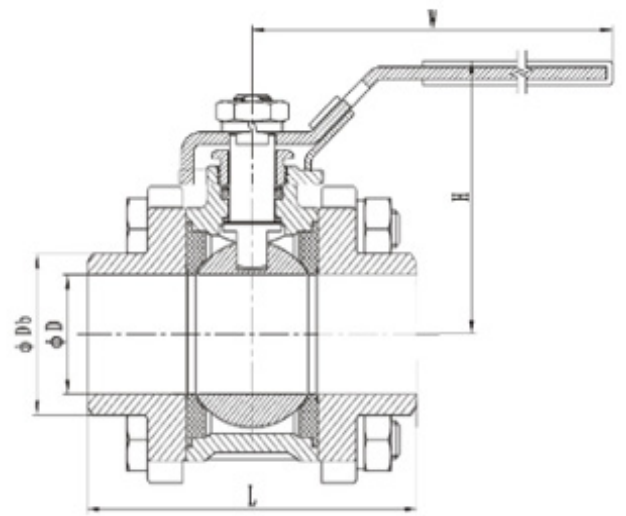
**Dimensions**

Size	D	L	W	H
1/4"	11	64	104	51
3/8"	12.5	64	104	51
1/2"	15	72	104	53
3/4"	20	80	126	65
1"	25	85	144	77
1-1/4"	32	105	144	81.5
1-1/2"	38	113	189	94.5
2"	50	132	189	102
2 1/2"	65	170	223	119
3"	76	186.5	223	126
4"	94	226.5	298	169

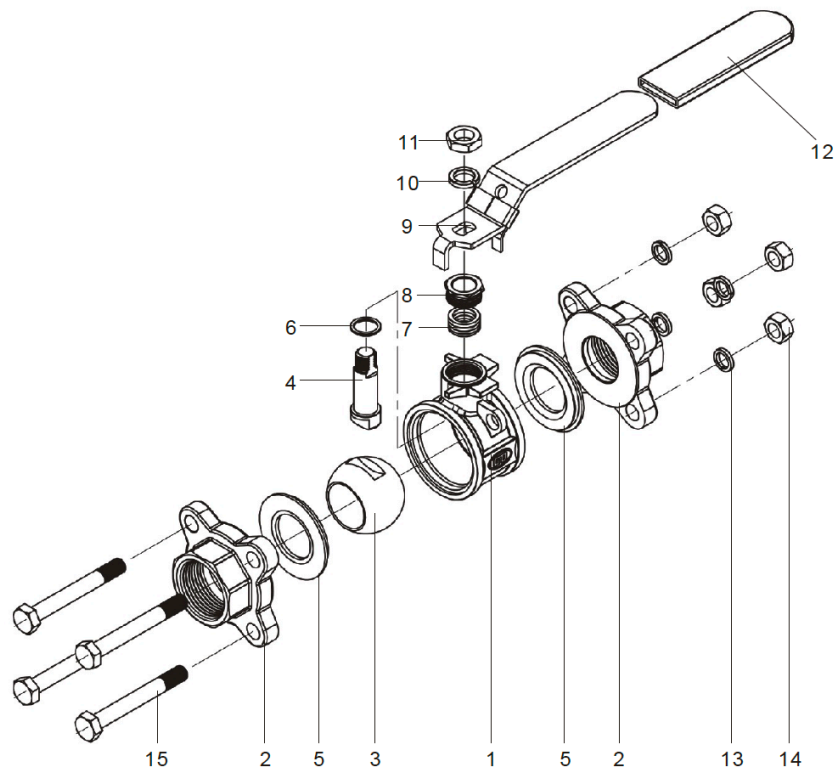


Dimensions Buttwald

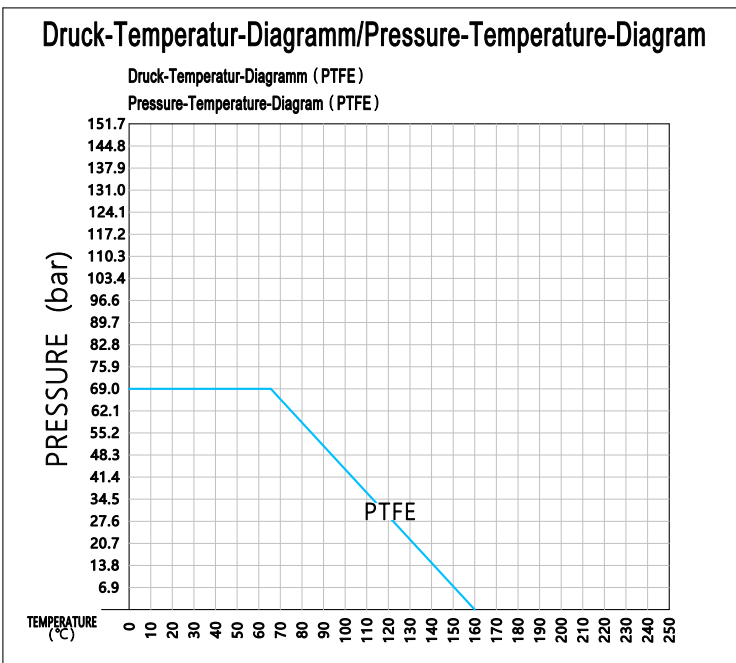
Size	D	Db	L	W	H
DN8	10,5	15,2	61	104	51
DN10	12,5	17,2	61	104	51
DN15	15	22,5	63	104	53
DN20	20	27,5	78,5	126	65
DN25	25	34	87	144	77
DN32	32	43	97,5	144	81,5
DN40	38	50	113	189	94,5
DN50	50	62	135	189	102
DN65	65	77	170	223	119
DN80	76	90	192	223	126
DN100	101	115	245	298	169



Part Drawing



No	Item	Material	Material	Material
1	Body	CF8M	CF8	WCB
2	Cap	CF8M	CF8	WCB
3	Ball	F316	F304	F304
4	Stem	F316	F304	F304
5	Seat	PTFE/RTFE	PTFE/RTFE	PTFE/RTFE
6	Gasket	PTFE	PTFE	PTFE
7	Stem packing	PTFE	PTFE	PTFE
8	Packing gland	F304	F304	F304
9	Handle	304	304	304
10	Spring washer	304	304	304
11	Nut	A2-70	A2-70	A2-70
12	Handle cover	PVC	PVC	PVC
13	Spring washer	304	304	304
14	Nut	A2-70	A2-70	A2-70
15	Bolt	A2-70	A2-70	A2-70



We supply various colours of PVC handle sleeves for ball valves. Although certain colours in specific sectors (such as the navy or other industrial environments) may indicate specific applications, such as dark blue for drinking water or orange for hydraulic systems, these colour codes are not always standard across all sectors.

These colour codes help quickly identify the contents of pipes and may vary depending on specific navy or industry standards.

**Accessories**

The standard ball valve has a blue handle grip. If you want a different colour you can order this handle grip as a separate item

Available PVC handles in the colours for Q318: Black, Brown, Green, Gray, Orange and Red



<b>Processconnection</b>	1/4	3/8	1/2	3/4	1	1 1/4	1 1/2	2	2 1/2	3	4
<b>Type</b>	21	22	23	24	25	26	27	28	29	30	31
<b>Pressure class</b>	PN63	PN63	PN63	PN63	PN63	PN63	PN63	PN63	PN40	PN40	PN40
<b>Item code</b>	10179463	10179464	10179465	10179466	10179467	10179468	10179469	10179470	10179471	10179472	10179473



<b>Processconnection</b>	DN?	DN?	DN15	DN20	DN25	DN32	DN40	DN50	DN65	DN80	DN100
<b>Type</b>	60	61	62	63	64	65	66	67	68	69	70
<b>Pressure class</b>	PN63	PN63	PN63	PN63	PN63	PN63	PN63	PN63	PN40	PN40	PN40
<b>Item code</b>	10179474	10179475	10179476	10179477	10179478	10179479	10179480	10179481	10179482	10179483	10179484