

### Features

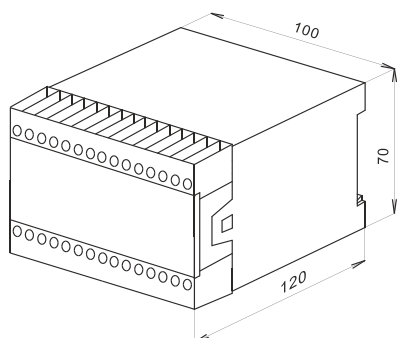
- universal stabilized power supply for industrial applications (supplying sensors and transducers, switch and control systems, indicators, relays etc.)
- current overload and short circuit protection
- safety requirements according to EN 61010-1
- LED indication of power and short-circuit
- mounting into an installation case or distribution cabinet on DIN rail 35 mm



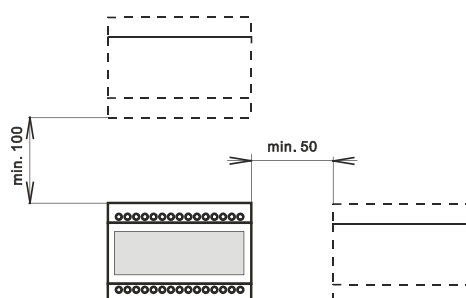
### Technical data

| Typ  | SPSU-2400-18                                | SPSU-1200-20  |
|--|---|---------------|
| Nominal supply voltage   | 230 V / 50 Hz                               |               |
| Allowed supply voltage tolerance                                   | ± 10%                                       |               |
| Nominal power demand   | 60 VA                                       |               |
| Output voltage   | 24 V DC (2 %)                               | 12 V DC (2 %) |
| Stability of output voltage at 0 ÷ 2 A / 0 ÷ 3,5 A                 | 0 ÷ 1,8 A ± 2 %                             | 0 ÷ 2 A ± 2 % |
| Max. output current  | 1,8 A                                       | 2 A           |
| Output short circuit current                                       | typ 2,5 A                                   | typ 2,5 A     |
| Max. duration of output short-circuit                              | unlimited                                   |               |
| Total interference voltage (peak to peak)                          | max. 150 mV                                 |               |
| Electric strength - mains 230 V - output 12 / 24 V                 | 4 kV  |               |
| Ambient temperature  | -20°C to + 60 °C                            |               |
| Protection degree: - box<br>- terminals                            | IP 40<br>IP 20                              |               |
| Housing material   | polycarbonate                               |               |
| Terminal material  | CuBe  |               |
| Max. / recommended conductor cross-section                         | 4 mm <sup>2</sup> / 0,5 ÷ 1 mm <sup>2</sup> |               |
| Weight   | c. 1,25 kg                                  |               |
| Internal protection on 230 V side by fuse                          | T 800 mA                                    |               |
| Reverse temperature fuse at primary side                           | 130°C                                       |               |
| Connection to 230 V mains only through a switch or circuit breaker |   |               |
| 2nd safety class electric installation                             |   |               |
| Electrical safety requirements due to EN 61010-1                   |   |               |
| EMC EN 55022 EN 61000-4-2, -3, -4, -5, -6, -11                     |   |               |

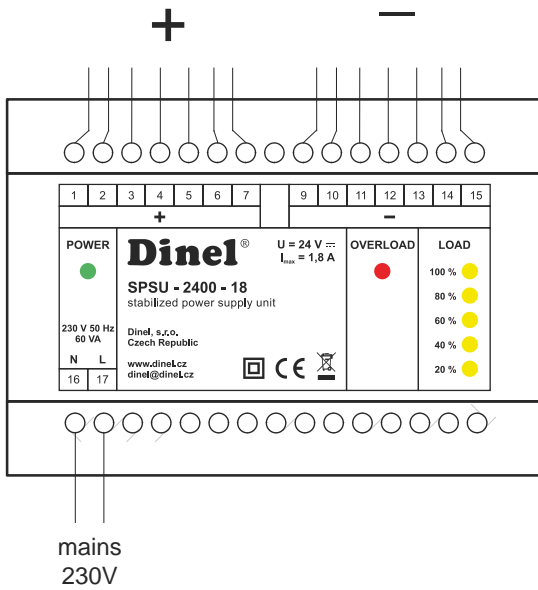
### Dimension drawing



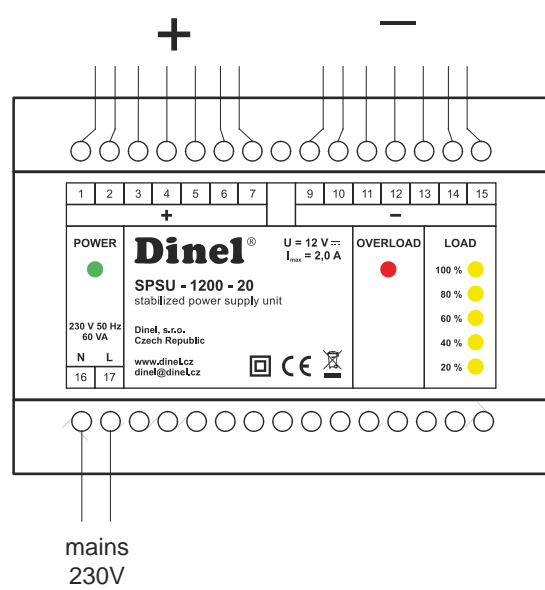
### Mounting space demands



## Wiring of SPSU-2400-18



## Wiring of SPSU-1200-20



### Function of signal LED

- green LED - "POWER" - operation without failures
- red LED - "SHORT CIRCUIT" - short circuit or overload
- yellow LED - "LOAD" - load indication  
20, 40, 60, 80 a 100 %

Dinel, s.r.o., U Tescomy 249, CZ - 760 01 Zlín, Tel.: +420-577 002 003, fax: +420-577 002 007  
E-mail: sale@dinel.cz Web: http://www.dinel.cz



QMS  
ISO 9001