

Sprayer

For inside - cleaning the glass top

Ebora

Bauform 198

Application:

The Sprayer is suitable for internal cleaning of the glasses, it's not necessary to develop the glass.

Materials:

Sprayer and pipe: WN 1.4571 / 1.4404

Insert in:

Round Sight glass fitting acc. to DIN 28120
see NORIS Bauform 120

Round Sight glass fitting acc. to DIN 28121
see NORIS Bauform 121-I

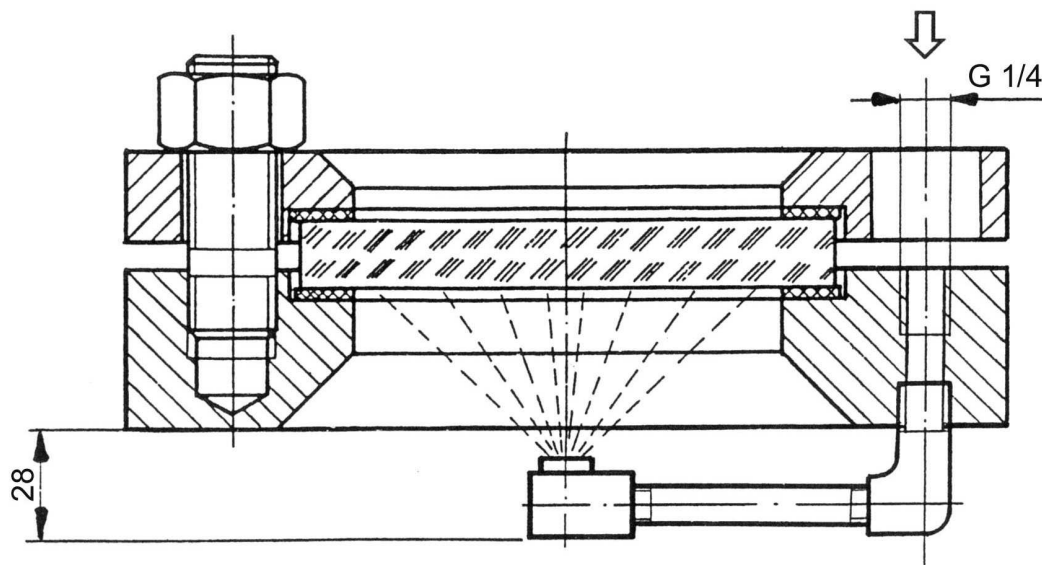
Sight flow indicator see NORIS Bauform 880-I

Information:

The Sprayer will be mounted by ourself during the assembly



Connector for Sprayer



Modifications reserved

Technische Änderungen und Fehler vorbehalten!

Ebora Process Automation • www.ebora.nl • info@ebora.nl
Version 2016-07-19