

- For limit level detection of liquids
- Media temperature up to +130°C
- Simple assembly, long service-life
- Housing and electrode is from stainless steel
- Designed with short bar electrode or dismantable rod electrode



Conductive probes CNP-18 are designed for direct detection of conductive liquids level (water, water solutions). The process connection is M18x1,5 threaded connection, and electrical by fixed cable or screw connector. The probes are connected to Dinel evaluation unit, type CDSU-522-W, or other types of evaluation units suitable for connection of the conductive sensors.

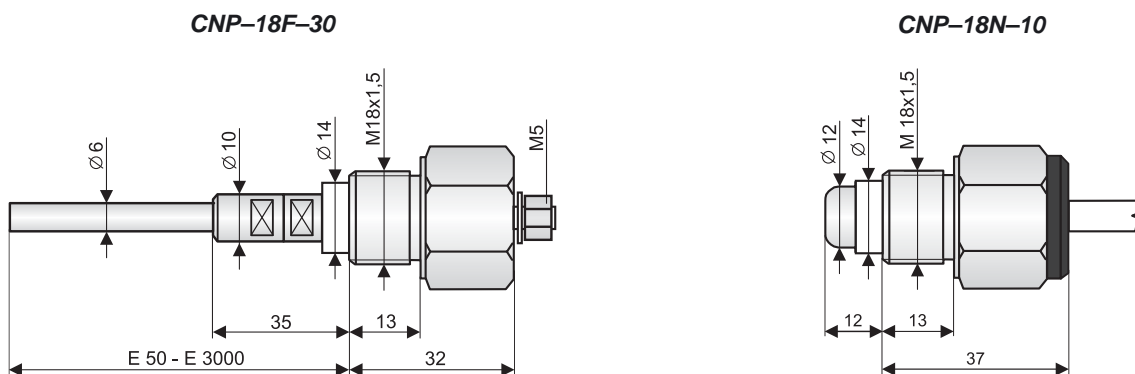
TYPES OF PROBES

- **CNP-18N-10** *Short bar electrode* for horizontal mounting, fixed cable
- **CNP-18F-10** *Short bar electrode* for horizontal mounting, screw connector
- **CNP-18N-30** *Dismountable rod electrode* (from 50 up to 3000 mm) for vertical mounting, fixed cable
- **CNP-18F-30** *Dismountable rod electrode* (from 50 up to 3000 mm) for vertical mounting, screw connector

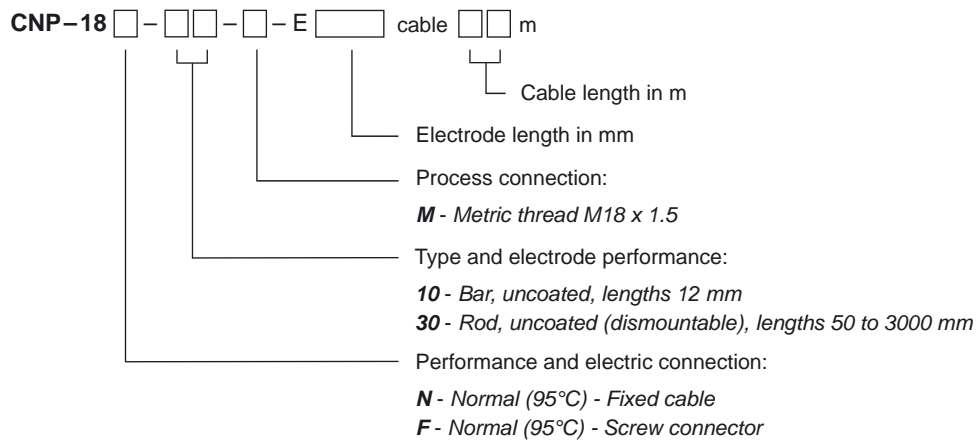
TECHNICAL SPECIFICATIONS

Temperature at housing	max. 95°C
Maximum pressure: at 25°C at 95°C	4 MPa 1.5 MPa
Connection cable type (CNP-18N)	PVC 2 x 0,75 mm
Isolation of electrode	PTFE
Protection class (CNP-18N)	IP67
Material of housing	Stainless steel
Weight of sensor (without cable)	approx. 100 g

DIMENSION DRAWING



OTHER CODE



EXAMPLES OF CORRECT SPECIFICATION

CNP-18N-10-M cable 10 m

CNP-18F-10-M

CNP-18N-30-M E1500 cable 8 m

CNP-18F-30-M E480