

## GVA

### Version 4 – Level Probe with stainless steel housing

Electric interface through a lateral mounted connector and plug. Case moduled. Protection class IP 67/68.

- Panel connector
- Electrode length available 5 to 4000mm (please specify with your order)
- 1 - 7 electrodes
- For heavy-duty
- All parts which may touch the medium are made from physiologically harmless materials (with Polyolefin coating)
- For conductive filling level acquisition



#### Technical data

**Mounting method:** Thread  
**Mounting orientation:** any  
**Case temperature:** max. +110°C  
**Media temperature:** max. +120°C  
(Polyolefin max. 100°C)  
**Media pressure:** max. 10 bar

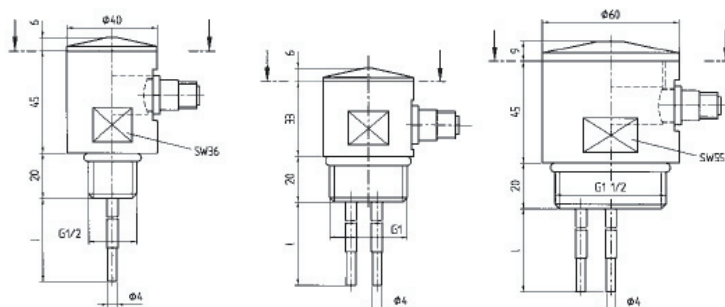
**Probe-head material:** V2A / 1.4305 Cover and Cable gland brass, nickel-plated  
**Electrode material:** V4A / 1.4571 (optional HAC-C4; Titanium)  
**Coating:** Kynar (optional Polyolefin)  
**Sealing ring:** FPM

Size	Electrodes	Standard-Model
1/2"	2	GVAE - 2VK4
1"	2	GVAE - 2VK4
1"	3	GVAE - 3VK4
1"	4	GVAG - 4VK4
1 1/2"	2	GVAG - 2VK4

Size	Electrodes	Standard-Model
1 1/2"	3	GVAI - 3VK4
1 1/2"	4	GVAI - 4VK4
1 1/2"	5	GVAI - 5VK4
1 1/2"	6	GVAI - 6VK4
1 1/2"	7	GVAI - 7VK4

⚠ To order the Polyolefin-coated version insert „P“ instead of „K“ – e.g. „GVAE - 1VP1“.

#### Dimensions



#### Optionen

**Mounting bracket** Material V2A / 1.4301  
**Junction cable** with numeric labeled wires