

GPP

Version 3 – Level Probe in plastic housing

Electric interface through a top mounted valve connector according DIN 43650. Case moduled. Protection class IP 65.

- Connection cable with the length of 3m or as required
- Connector base DIN 43650
- Elektrode lenth available 5 to 4000mm (please specify with your order)
- 2 - 3 elektodes
- All parts which may touch the medium are made from physiologically harmless materials
- For conductive filling level acquisition

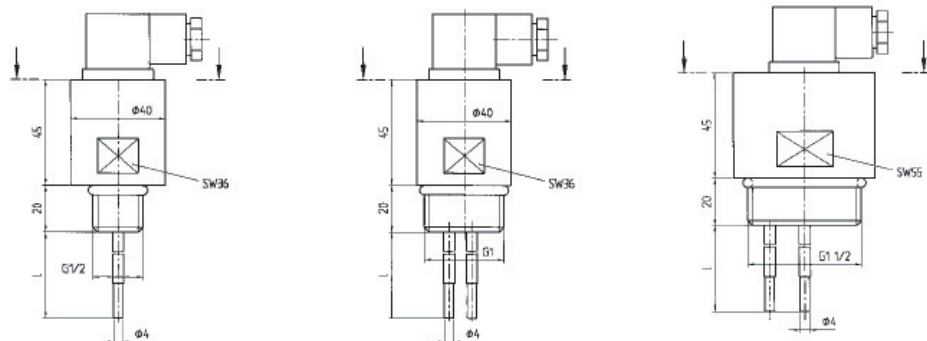


Technical data

Mounting method:	Thread	Probe-head material:	PPH
Mounting orientation:	any	Electrode material:	V4A / 1.4571 (optional HAC-C4; Titanium)
Media temperature:	max. 90°C	Coating:	Polyolifin (optional Kynar)
Media pressure:	max. 10 bar (+60°C)	Sealing ring:	NBR 70

Size	Electrodes	Standard-Model
1/2"	2	GPPE - 2VP3
1"	2	GPPG - 2VP3
1"	3	GPPG - 3VP3
1 1/2"	2	GPPI - 2VP3
1 1/2"	3	GPPI - 3VP3

Dimensions



Options

Distance fastener	Material PPH
Lock-nut	Material PPH
Mounting bracket	Material V2A / 1.4301
Junction cable	with numeric labeled wires