

Heavy Duty pressure gauges with diaphragm system

to DIN 14 421 for fire-fighting pumps

Nominal sizes ND 80

Connection position bottom, radial or back, central



Description

The Heavy Duty pressure gauges with diaphragm system are used at measuring points with high dynamic alternating loads and strong vibrations and pulses.

They comply with DIN 14 421 -pressure gauges for fire-fighting pumps.

These pressure gauges are used in fire-fighting pumps to DIN 14 420.

The gauges are designed on the basis of a modular construction system and ensure a high level of functional safety and a long service life.

Features

- o High reliability and long service life due to modular construction system
- o Insensitive to pressure pulses and mechanical vibrations
- o High level shock resistance
- o Overload capacity, 1.3 x
- o Protection IP 54
- o Stainless steel casing

Measuring ranges



0...25 bar or - 1...0...25 bar

Applications

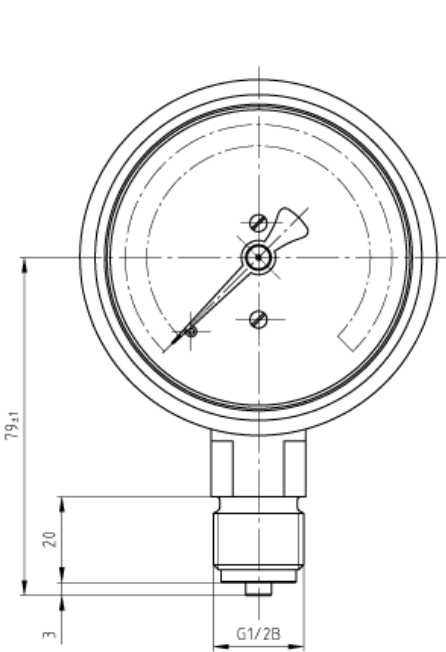
Fire-fighting pumps,
plant construction

Models: P1581, P1589

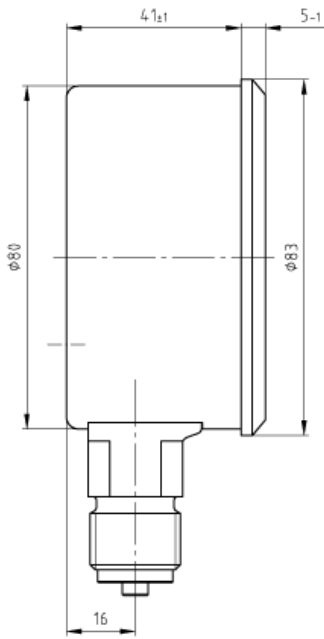
Technical data

Models	P1581	P1589	Options
Nominal size	80		
Symbol			
Accuracy class	2.5 acc. to EN 837 - 3		
Ranges	-1...0...25 bar or 0...25 bar		
Application	Constant load: up to full scale value Alternating load: up to 0.9 x full scale value short-time: overload capacity 1.3 x		
Case	Stainless steel, 1.4301		
Bezel	retaining front bezel, stainless steel (ss) natural finish		retaining front bezel, ss polished retaining front bezel, ss Al black front flange, ss natural finish front flange, ss polished front flange, black
Window	Polyamid		
Dial	Aluminium, white, scale and imprint black		Dual scale
Pointer	Aluminium, black acc. to DIN 16 099		
Movement	CuZn-alloy		
Measuring element	Copper alloy		
Pressure connection - position - thread	CuZn-alloy, galvanized Radial bottom M20 x 1.5 or G 1/2 B	Back central	Nickel-plated Other threads on request
Temperatures - Medium - Ambient	Tmin. -20°C, Tmax. 80°C Tmin. -25°C, Tmax. 60°C		
Temperature drift	0.5 %/10K if deviation from normal temperature 20°C		
Protection	IP 54 to EN 60 529/IEC 529		IP 65 (BR. 1599)
Throttle	Copper alloy, M4 x ø 0.8 x 40 lg.		M4 x ø 0.3; M4 x ø 0.4
Weight approx.	0.480 kg	0.560 kg	

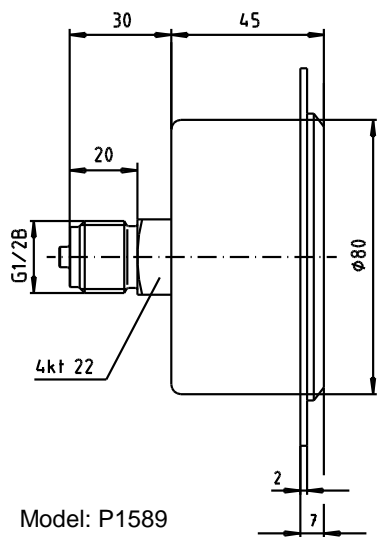
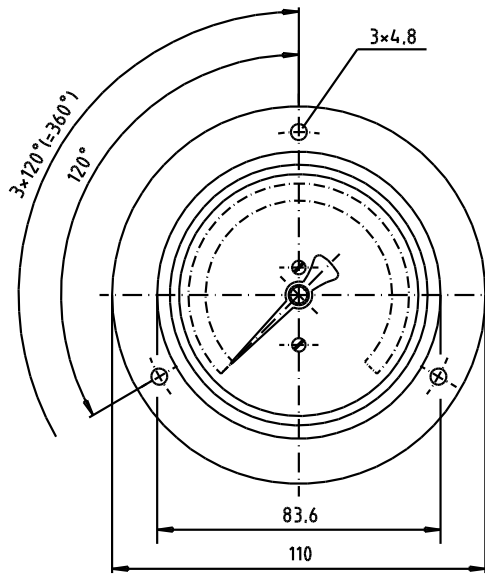
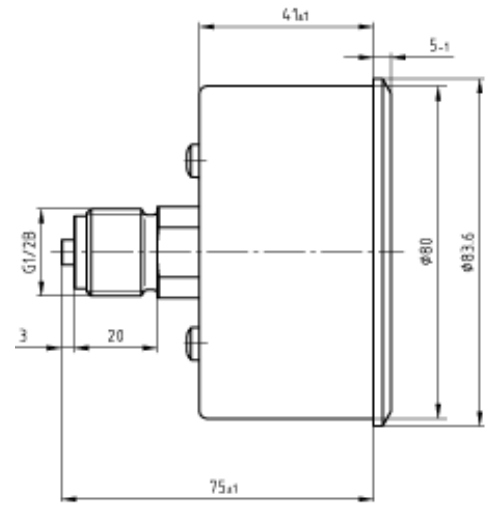
Dimensions



Model: P1581



Model: P1589



Model: P1589

Modifications reserved