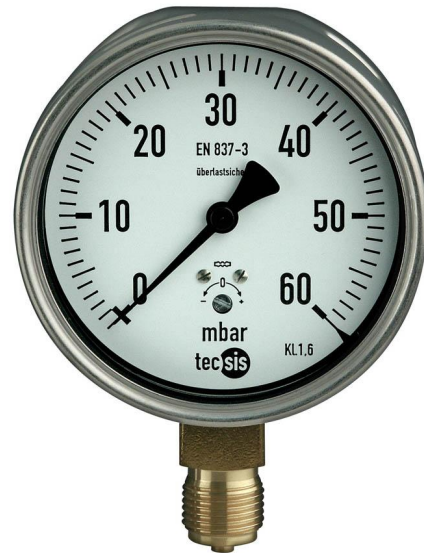


Heavy Duty pressure gauges with capsule element

Nominal sizes ND 100 and 160

Connection position bottom, radial or back, eccentric



Description

The Heavy Duty pressure gauges with capsule element are used to measure small positive/negative gauge pressures in gaseous media. The capsule element system consists of two capsule element halves soldered together. When subjected to pressure, the capsule element moves a predetermined distance. This travel is converted by a movement into the rotary motion of the pointer.

The gauges can be supplied with a cover ring, triangular front ring or mounting flange as required for the installation conditions. The casings are all in steel or stainless steel.

Features

- o High reliability and long service life
- o Overload protection up to 10 x
- o Zero adjustment
- o Accuracy class 1.6
- o Casing, steel or stainless steel
- o Copper alloy measuring system

Measuring ranges

0...6 mbar to 0...600 mbar

Applications

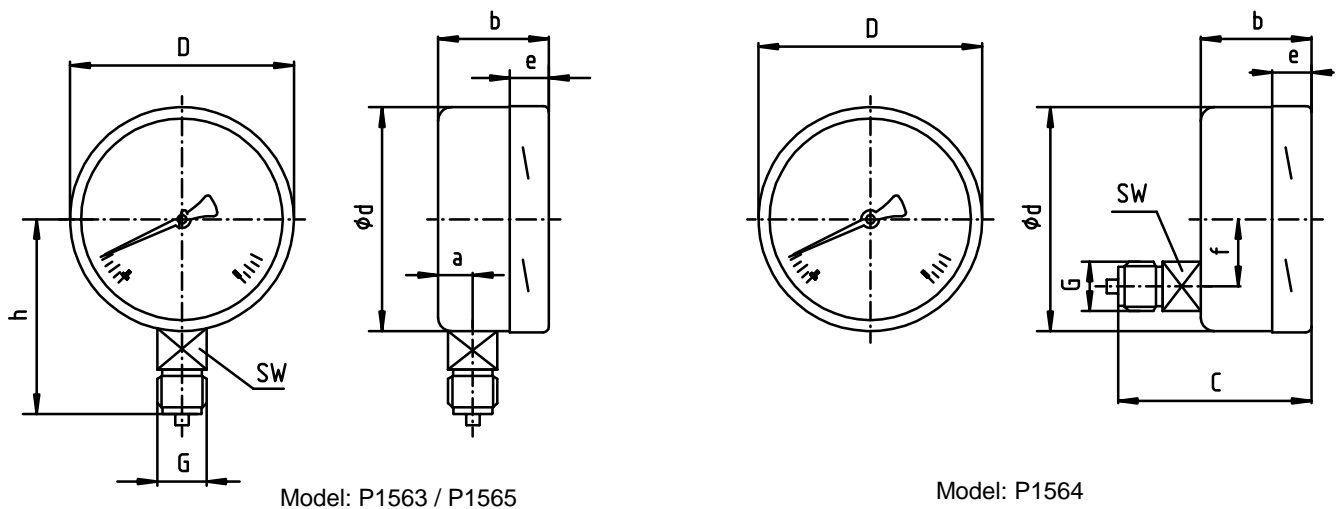
Pharmaceutical industry; laboratory applications, filter status monitoring; furnace monitoring; exhaust gas measurements, gas generation; air-conditioning, vacuum measurements

Models: P1563, P1564, P1565

Technical data

Model	P1563	P1564	P1565	Options
Nominal size	100		160	
Symbol				
Accuracy class	1.6 to EN 837-3			
Ranges	0...10 mbar to 0...600 mbar		0...6 mbar..to 0...600 mbar	
Application	Constant load: up to full scale value Alternating load: up to 0.9 x full scale value short-time: Overload capacity 1.3 x			Overload protection up to 10 x full scale value (>25mbar)
Case	Stainless steel 1.4301			Back flange
Bezel	Stainless steel 1.4301, bayonet ring			Front flange
Window	Glass lens			Safety glass
Dial	Aluminium, white, scale and imprint black			Dual scale
Pointer	Aluminium black			Marker pointer
Movement	CuZn-alloy, with zero adjustment			
Measuring element	Copper alloy			
Pressure connection	Copper alloy			
- Position	radial bottom	back eccentric	radial bottom	
- Thread	G 1/2 B			Other threads on request
Temperatures	Tmin. -20°C, Tmax. 80°C - Ambient Tmin. -20°C, Tmax. 60°C			
Temperature drift	0.6% / 10K if deviation from normal temperature 20°C			
Protection	IP 54 to EN 60 529/IEC 529			
Orifice	without			∅ 0.3 ; ∅ 0.4 ; ∅ 0.8
Weight approx.	0.6 kg	0.6 kg	1.1 kg	

Dimensions



Model	Dimensions in mm										
	ND	a ± 0.5	b ± 1	c ± 1	D ± 1	d ± 1	e ± 0.5	f ± 0.5	G	h ± 1	SW
P1563, P1564	100	15.5	49.5	83	101	99	17,5	30	G 1/2 B	87	22
P1565	160	15.5	49.5	--	161	159	17,5	--	G 1/2 B	118	22

Modifications reserved