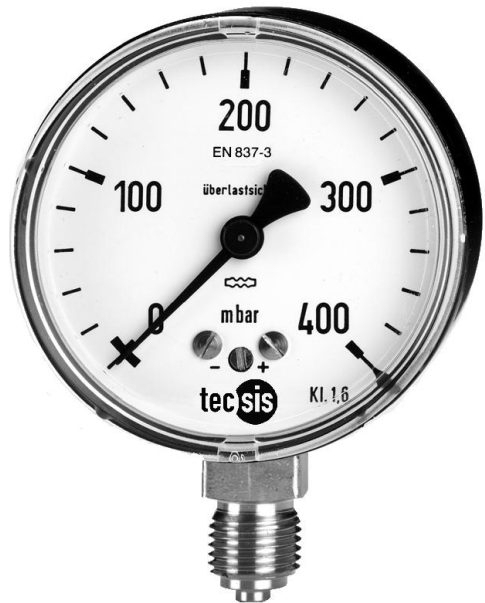


## Heavy Duty pressure gauges with capsule element

Nominal sizes ND 63 and 80

Connection position bottom, radial or back, central



### Description

The Heavy Duty pressure gauges with capsule element are used to measure small positive/negative gauge pressures in gaseous media. The capsule element system consists of two capsule element halves soldered together. When subjected to pressure, the capsule element moves a predetermined distance. This travel is converted by a movement into the rotary motion of the pointer.

The gauges can be supplied with a cover ring, triangular front ring or mounting flange as required for the installation conditions. The casings are available in steel or stainless steel.

### Features

- o High reliability and long service life
- o Overload protection up to 10 x
- o Zero adjustment
- o Accuracy class 1.6
- o Casing, steel or stainless steel
- o Copper alloy measuring system

### Measuring ranges

0...16 mbar to 0...600 mbar

### Applications

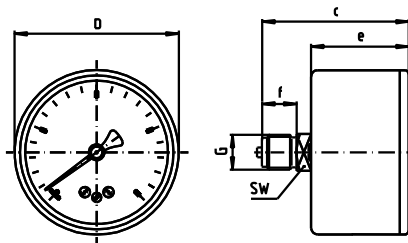
Pharmaceutical industry; laboratory applications, Filter status monitoring; furnace monitoring; exhaust gas measurements, vacuum measurements, gas generation; air-conditioning.

**Models: P1553, P1554, P1557, P1558**

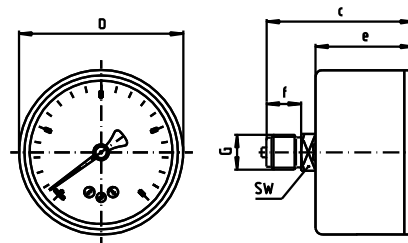
## Technical data

Model	P1553	P1554	P1557	P1558	Options
Nominal size	63		80		
Symbol					
Accuracy class	1.6 to EN 837-3				
Ranges	0...40 mbar to 0...600 mbar negative or positive or negative and positive gauge pressure		0...16 mbar.to 0...600 mbar negative or positive or negative and positive gauge pressure		
Application	Constant load up to full scale value Alternating load: up to 0.9 x full scale value short time: overload capacity 1.3 x				Overload protection up to 10x of full scale value
Case	Steel, black finish		Stainless steel		Stainless steel 1.4301
Bezel	none				Steel, black
Window	Plexiglass				
Dial	Aluminium, white, scale and imprint black				Dual scale
Pointer	Aluminium, black				Marker pointer
Movement	CuZn-alloy, with zero adjustment				
Measuring element	Copper alloy				
Pressure connection - position	radial bottom		back central		
- thread	G 1/4 B		G 1/2 B		Other threads on request
Temperatures - Medium - Ambient	Tmin. -20°C, Tmax. 80°C Tmin. -20°C, Tmax. 60°C				
Temperature drift	0.6% / 10K if deviation from normal temperature 20°C				
Protection	IP 43 to EN 60 529/IEC 529				
Orifice	without				∅ 0.3 ; ∅ 0.4 ; ∅ 0.8
Weight approx.	0.3 kg	0.3 kg	0.5 kg	0.6 kg	

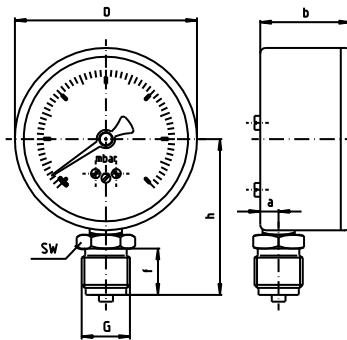
## Dimensions



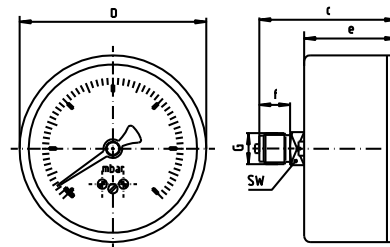
Model: P1554



Model: P1554



Model: P1557



Model: P1558

Model	Dimensions in mm									
	ND	a ± 0.5	b ± 1	c ± 1	D ± 1	e ± 1	f ± 0.5	G	h ± 1	SW
P1553, P1554	63	9.5	40	55.5	62	37	13	G 1/4 B	51	14
P1557, P1558	80	8.0	39	58	79	39	20	G 1/2 B	67.5	22

Modifications reserved