

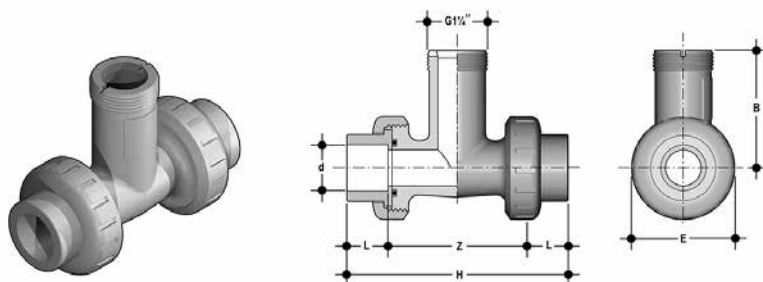


INSTALLATION FITTINGS
**FOR FLOW SENSORS
AND ANALYTICAL ELECTRODES**



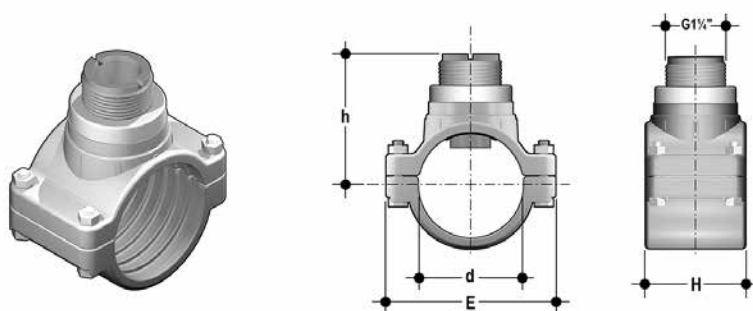
STANDARD INSERTION INSTALLATION

INSTALLATION ON PVC PIPES



ISO Metric PVC Tee Fittings (female ends for solvent welding)

Part No.	DN/Size	d/R	O-ring	Body	H	Z	L	B	E	Flow Sensor Length	Suitable for (*)
TFIV20B	15	20	EPDM	UPVC	113	81	16	73	53	L0	F & A
TFIV25B	20	25	EPDM	UPVC	126	88	19	8	62	L0	F & A
TFIV32B	25	32	EPDM	UPVC	139.5	95.5	22	81	71	L0	F & A
TFIV40B	32	40	EPDM	UPVC	170	118	26	84	84	L0	F & A
TFIV50B	40	50	EPDM	UPVC	199	137	31	82.5	98	L0	F & A
TFIV20D	15	20	FPM	UPVC	113	81	16	73	53	L0	F & A
TFIV25D	20	25	FPM	UPVC	126	88	19	8	62	L0	F & A
TFIV32D	25	32	FPM	UPVC	139.5	95.5	22	81	71	L0	F & A
TFIV40D	32	40	FPM	UPVC	170	118	26	84	84	L0	F & A
TFIV50D	40	50	FPM	UPVC	199	137	31	82.5	98	L0	F & A



ISO Metric Clamp Saddles

Part No.	DN/Size	d/R	O-ring	Body	Insert	H	E	h	Drilling Hole	Flow Sensor Length	Suitable for (*)
SVIC063BVC	50	63	EPDM	UPVC	C-PVC	105	116	86.7	35	L0	F & A
SVIC075BVC	65	75	EPDM	UPVC	C-PVC	105	134	90.8	35	L0	F & A
SVIC090BVC	80	90	EPDM	UPVC	C-PVC	105	152	95.9	40	L0	F & A
SVIC110BVC	100	110	EPDM	UPVC	C-PVC	105	176	102.8	40	L0	F & A
SVIC125BVC	110	125	EPDM	UPVC	C-PVC	112	190	137.9	40	L1	F
SVIC140BVC	125	140	EPDM	UPVC	C-PVC	114	214	143.1	40	L1	F
SVIC160BVC	150	160	EPDM	UPVC	C-PVC	120	238	149.9	40	L1	F
SVIC200BVC	180	200	EPDM	UPVC	C-PVC	133	300	163.7	40	L1	F
SVIC225BVC	200	225	EPDM	UPVC	C-PVC	125	333	172.3	40	L1	F
SVIC063DVC	50	63	FPM	UPVC	C-PVC	105	116	86.7	35	L0	F & A
SVIC075DVC	65	75	FPM	UPVC	C-PVC	105	134	90.8	35	L0	F & A
SVIC090DVC	80	90	FPM	UPVC	C-PVC	105	152	95.9	40	L0	F & A
SVIC110DVC	100	110	FPM	UPVC	C-PVC	105	176	102.8	40	L0	F & A
SVIC125DVC	110	125	FPM	UPVC	C-PVC	112	190	137.9	40	L1	F
SVIC140DVC	125	140	FPM	UPVC	C-PVC	114	214	143.1	40	L1	F
SVIC160DVC	150	160	FPM	UPVC	C-PVC	120	238	149.9	40	L1	F
SVIC200DVC	180	200	FPM	UPVC	C-PVC	133	300	163.7	40	L1	F
SVIC225DVC	200	225	FPM	UPVC	C-PVC	125	333	172.3	40	L1	F
SMIC250IVC*	225	250	NBR	PP	C-PVC	79	324	203.5	40	L0	F
SMIC280IVC*	250	280	NBR	PP	C-PVC	88	385	212.2	40	L1	F
SMIC315IVC*	280	315	NBR	PP	C-PVC	88	385	220.1	40	L1	F

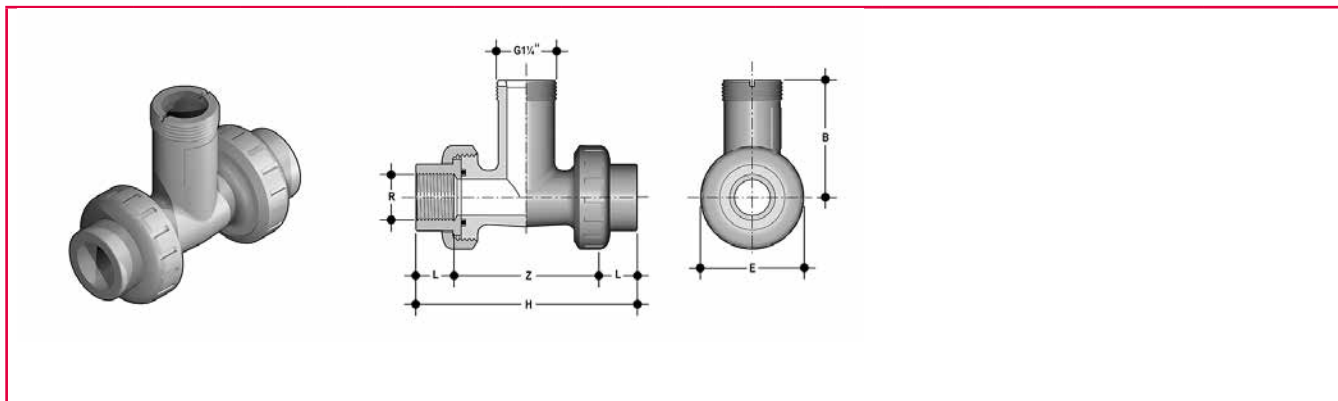
* For IP68 sensors or compact monitors only

(*) Suitable for: F= Flow sensors; A= Analytical electrodes

Ebora Process Automation

Tel: +31 (0)26-3706830 • Fax: +31 (0)26-3706831 • info@ebora.nl • www.ebora.nl

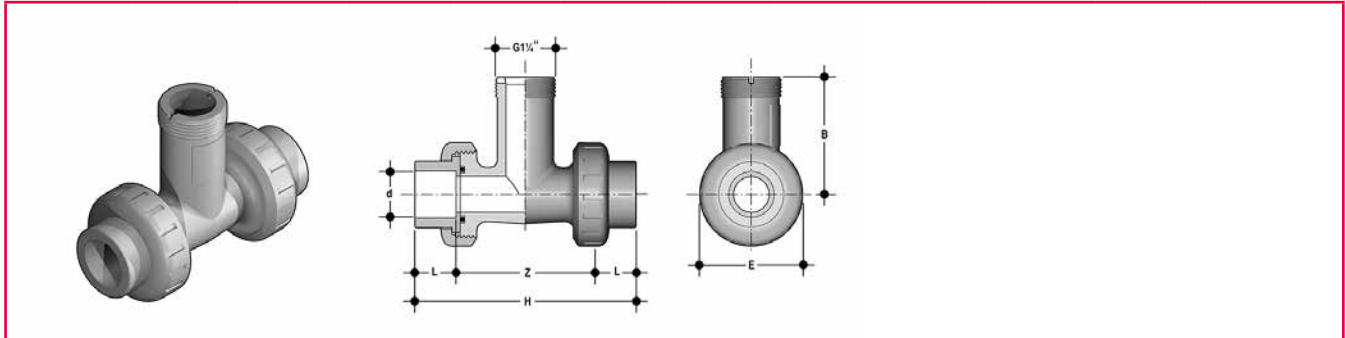
INSTALLATION FITTINGS



BSP Female Threaded PVC Tee Fittings (parallel threaded female ends)

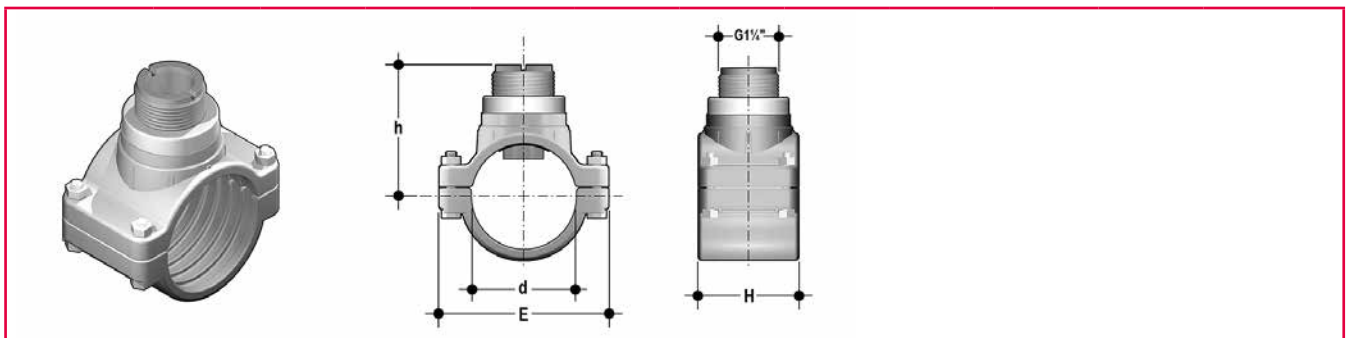
Part No.	DN/Size	d/R	O-ring	Body	H	Z	L	B	E	Flow Sensor Length	Suitable for (*)
TFFV20B	15	1/2"	EPDM	UPVC	118.5	88.5	15	73	53	L0	F & A
TFFV25B	20	3/4"	EPDM	UPVC	127.5	94.9	16.3	80	62	L0	F & A
TFFV32B	25	1"	EPDM	UPVC	146	107.8	19.1	81	71	L0	F & A
TFFV40B	32	1 1/4"	EPDM	UPVC	177	134.2	21.4	84	84	L0	F & A
TFFV50B	40	1 1/2"	EPDM	UPVC	191	148.2	21.4	82.5	98	L0	F & A
TFFV20D	15	1/2"	FPM	UPVC	118.5	88.5	15	73	53	L0	F & A
TFFV25D	20	3/4"	FPM	UPVC	127.5	94.9	16.3	80	62	L0	F & A
TFFV32D	25	1"	FPM	UPVC	146	107.8	19.1	81	71	L0	F & A
TFFV40D	32	1 1/4"	FPM	UPVC	177	134.2	21.4	84	84	L0	F & A
TFFV50D	40	1 1/2"	FPM	UPVC	191	148.2	21.4	82.5	98	L0	F & A

(*) Suitable for: F= Flow sensors; A= Analytical electrodes



BS Solvent Welding PVC Tee Fittings (female ends for solvent welding)

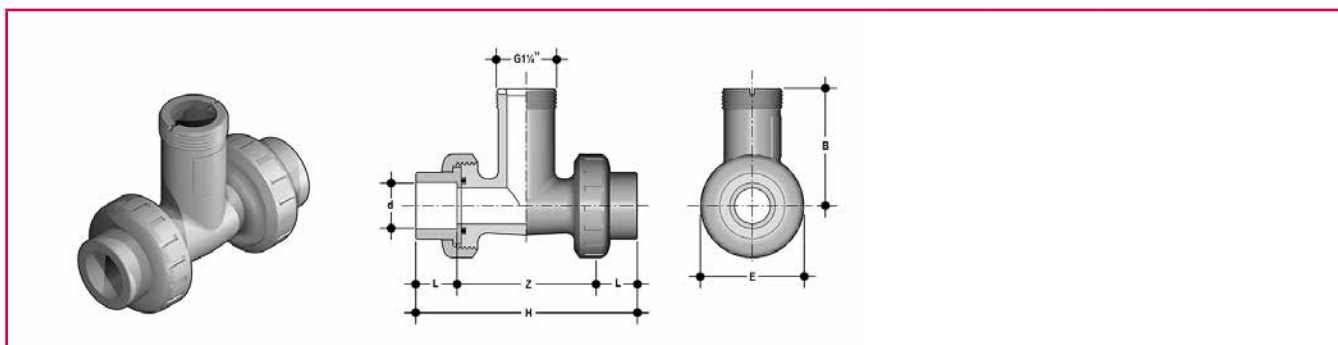
Part No.	DN/ Size	d/R	O-ring	Body	H	Z	L	B	E	Flow Sensor Length	Suitable for (*)
TFLV20B	15	1/2"	EPDM	UPVC	113	8	16.5	73	53	L0	F & A
TFLV25B	20	3/4"	EPDM	UPVC	126	88	19	80	62	L0	F & A
TFLV32B	25	1"	EPDM	UPVC	139.5	94.5	22.5	81	71	L0	F & A
TFLV40B	32	1 1/4"	EPDM	UPVC	17	118	26	84	84	L0	F & A
TFLV50B	40	1 1/2"	EPDM	UPVC	199	139	30	82.5	98	L0	F & A
TFLV20D	15	1/2"	FPM	UPVC	113	8	16.5	73	53	L0	F & A
TFLV25D	20	3/4"	FPM	UPVC	126	88	19	80	62	L0	F & A
TFLV32D	25	1"	FPM	UPVC	139.5	94.5	22.5	81	71	L0	F & A
TFLV40D	32	1 1/4"	FPM	UPVC	17	118	26	84	84	L0	F & A
TFLV50D	40	1 1/2"	FPM	UPVC	199	139	30	82.5	98	L0	F & A



BS Clamp Saddles

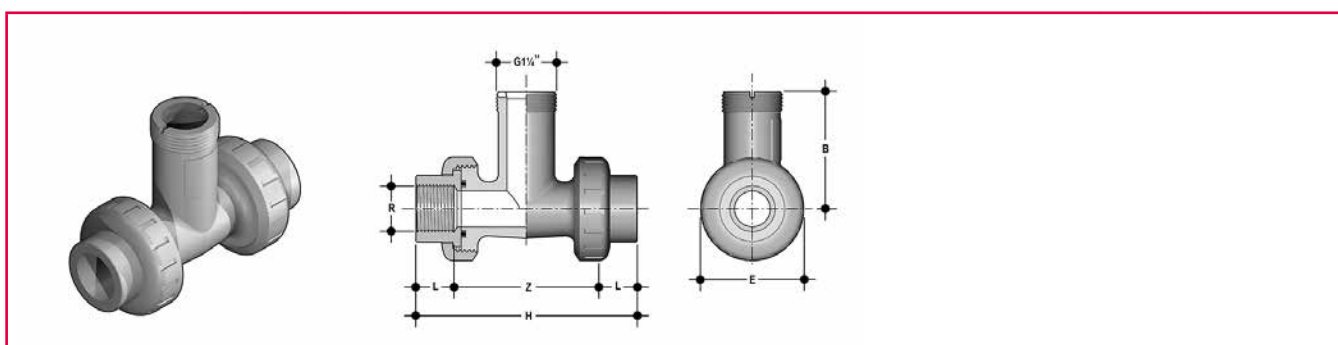
Part No.	DN/ Size	d/R	O-ring	Body	Insert	H	E	h	Drilling Hole	Flow Sensor Length	Suitable for (*)
SVLC2.0BVM	50	2"	EPDM	UPVC	C-PVC	105	116	85.3	35	L0	F & A
SVLC3.0BVM	80	3"	EPDM	UPVC	C-PVC	105	152	95.0	40	L0	F & A
SVLC4.0BVM	100	4"	EPDM	UPVC	C-PVC	105	176	103.5	40	L0	F & A
SVLC6.0BVM	150	6"	EPDM	UPVC	C-PVC	120	238	151.7	40	L1	F
SVLC8.0BVM	200	8"	EPDM	UPVC	C-PVC	125	333	169.8	40	L1	F
SVLC2.0DVM	50	2"	FPM	UPVC	C-PVC	105	116	85.3	35	L0	F & A
SVLC3.0DVM	80	3"	FPM	UPVC	C-PVC	105	152	95.0	40	L0	F & A
SVLC4.0DVM	100	4"	FPM	UPVC	C-PVC	105	176	103.5	40	L0	F & A
SVLC6.0DVM	150	6"	FPM	UPVC	C-PVC	120	238	151.7	40	L1	F
SVLC8.0DVM	200	8"	FPM	UPVC	C-PVC	125	333	169.8	40	L1	F

(*) Suitable for: F= Flow sensors; A= Analytical electrodes



ASTM SCH. 80 PVC Tee Fittings (female ends for solvent welding)

Part No.	DN/Size	d/R	O-ring	Body	H	Z	L	B	E	Flow Sensor Length	Suitable for (*)
TFAV20B	15	1/2"	EPDM	UPVC	4.92"	3.15"	0.89"	2.87"	2.09"	L0	F & A
TFAV25B	20	3/4"	EPDM	UPVC	5.51"	3.50"	1.00"	3.15"	2.44"	L0	F & A
TFAV32B	25	1"	EPDM	UPVC	6.04"	3.78"	1.13"	3.19"	2.80"	L0	F & A
TFAV40B	32	1 1/4"	EPDM	UPVC	7.34"	4.80"	1.26"	3.31"	3.31"	L0	F & A
TFAV50B	40	1 1/2"	EPDM	UPVC	8.15"	5.39"	1.38"	3.25"	3.86"	L0	F & A
TFAV20D	15	1/2"	FPM	UPVC	4.92"	3.15"	0.89"	2.87"	2.09"	L0	F & A
TFAV25D	20	3/4"	FPM	UPVC	5.51"	3.50"	1.00"	3.15"	2.44"	L0	F & A
TFAV32D	25	1"	FPM	UPVC	6.04"	3.78"	1.13"	3.19"	2.80"	L0	F & A
TFAV40D	32	1 1/4"	FPM	UPVC	7.34"	4.80"	1.26"	3.31"	3.31"	L0	F & A
TFAV50D	40	1 1/2"	FPM	UPVC	8.15"	5.39"	1.38"	3.25"	3.86"	L0	F & A

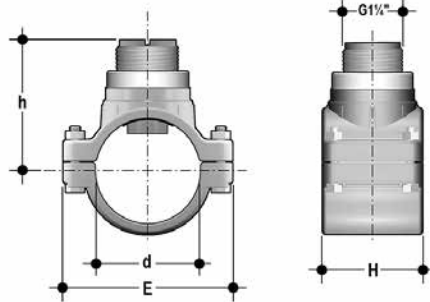


NPT Female Threaded PVC Tee Fittings (NPT threaded female ends)

Part No.	DN/Size	d/R	O-ring	Body	H	Z	L	B	E	Flow Sensor Length	Suitable for (*)
TFNV20B	15	1/2"	EPDM	UPVC	4.67"	3.26"	0.70"	2.87"	2.09"	L0	F & A
TFNV25B	20	3/4"	EPDM	UPVC	5.02"	3.60"	0.71"	3.15"	2.44"	L0	F & A
TFNV32B	25	1"	EPDM	UPVC	5.75"	3.97"	0.89"	3.19"	2.80"	L0	F & A
TFNV40B	32	1 1/4"	EPDM	UPVC	6.97"	5.12"	0.93"	3.31"	3.31"	L0	F & A
TFNV50B	40	1 1/2"	EPDM	UPVC	7.52"	5.28"	1.12"	3.25"	3.86"	L0	F & A
TFNV20D	15	1/2"	FPM	UPVC	4.67"	3.26"	0.70"	2.87"	2.09"	L0	F & A
TFNV25D	20	3/4"	FPM	UPVC	5.02"	3.60"	0.71"	3.15"	2.44"	L0	F & A
TFNV32D	25	1"	FPM	UPVC	5.75"	3.97"	0.89"	3.19"	2.80"	L0	F & A
TFNV40D	32	1 1/4"	FPM	UPVC	6.97"	5.12"	0.93"	3.31"	3.31"	L0	F & A
TFNV50D	40	1 1/2"	FPM	UPVC	7.52"	5.28"	1.12"	3.25"	3.86"	L0	F & A

(*) Suitable for: F= Flow sensors; A= Analytical electrodes

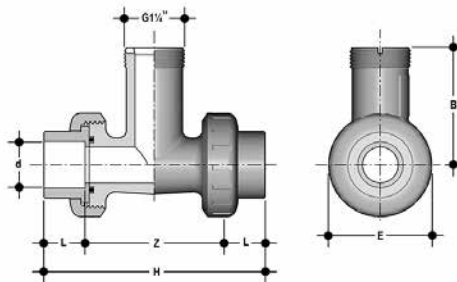
INSTALLATION ON PVC PIPES



ASTM Clamp Saddles

Part No.	DN/Size	d/R	O-ring	Body	Insert	H	E	h	Drilling Hole	Flow Sensor Length	Suitable for (*)
SVAC2.0BVM	50	2"	EPDM	UPVC	C-PVC	4.13"	4.57"	3.3"	1.38"	L0	F & A
SVAC2.5BVM	65	2 1/2"	EPDM	UPVC	C-PVC	4.13"	5.28"	3.4"	1.38"	L0	F & A
SVAC3.0BVM	80	3"	EPDM	UPVC	C-PVC	4.13"	5.98"	3.6"	1.57"	L0	F & A
SVAC4.0BVM	100	4"	EPDM	UPVC	C-PVC	4.13"	6.93"	4.0"	1.57"	L0	F & A
SVAC5.0BVM	125	5"	EPDM	UPVC	C-PVC	4.49"	8.43"	5.6"	1.57"	L1	F
SVAC6.0BVM	150	6"	EPDM	UPVC	C-PVC	4.72"	9.37"	5.9"	1.57"	L1	F
SVAC8.0BVM	200	8"	EPDM	UPVC	C-PVC	4.92"	13.11"	6.6"	1.57"	L1	F
SVAC2.0DVM	50	2"	FPM	UPVC	C-PVC	4.13"	4.57"	3.3"	1.38"	L0	F & A
SVAC2.5DVM	65	2 1/2"	FPM	UPVC	C-PVC	4.13"	5.28"	3.4"	1.38"	L0	F & A
SVAC3.0DVM	80	3"	FPM	UPVC	C-PVC	4.13"	5.98"	3.6"	1.57"	L0	F & A
SVAC4.0DVM	100	4"	FPM	UPVC	C-PVC	4.13"	6.93"	4.0"	1.57"	L0	F & A
SVAC5.0DVM	125	5"	FPM	UPVC	C-PVC	4.49"	8.43"	5.6"	1.57"	L1	F
SVAC6.0DVM	150	6"	FPM	UPVC	C-PVC	4.72"	9.37"	5.9"	1.57"	L1	F
SVAC8.0DVM	200	8"	FPM	UPVC	C-PVC	4.92"	13.11"	6.6"	1.57"	L1	F

INSTALLATION ON PVCC PIPES

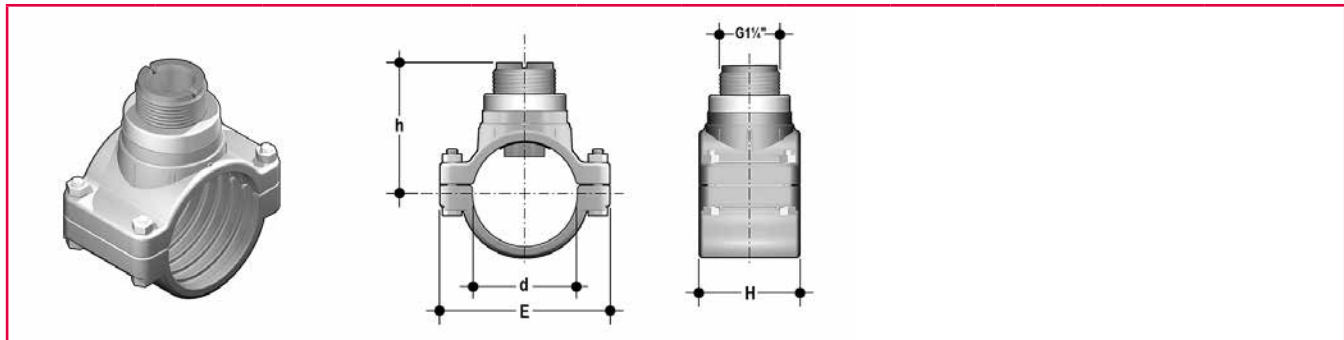


ISO Metric C-PVC Tee Fittings (female ends for solvent welding)

Part No.	DN/Size	d/R	O-ring	Body	H	Z	L	B	E	Flow Sensor Length	Suitable for (*)
TFIC20B	15	20	EPDM	C-PVC	113	81	16	73	53	L0	F & A
TFIC25B	20	25	EPDM	C-PVC	126	88	19	80	62	L0	F & A
TFIC32B	25	32	EPDM	C-PVC	139.5	95.5	22	81	71	L0	F & A
TFIC40B	32	40	EPDM	C-PVC	170	118	26	84	84	L0	F & A
TFIC50B	40	50	EPDM	C-PVC	199	137	31	82.5	98	L0	F & A
TFIC20D	15	20	FPM	C-PVC	113	81	16	73	53	L0	F & A
TFIC25D	20	25	FPM	C-PVC	126	88	19	80	62	L0	F & A
TFIC32D	25	32	FPM	C-PVC	139.5	95.5	22	81	71	L0	F & A
TFIC40D	32	40	FPM	C-PVC	170	118	26	84	84	L0	F & A
TFIC50D	40	50	FPM	C-PVC	199	137	31	82.5	98	L0	F & A

INSTALLATION FITTINGS

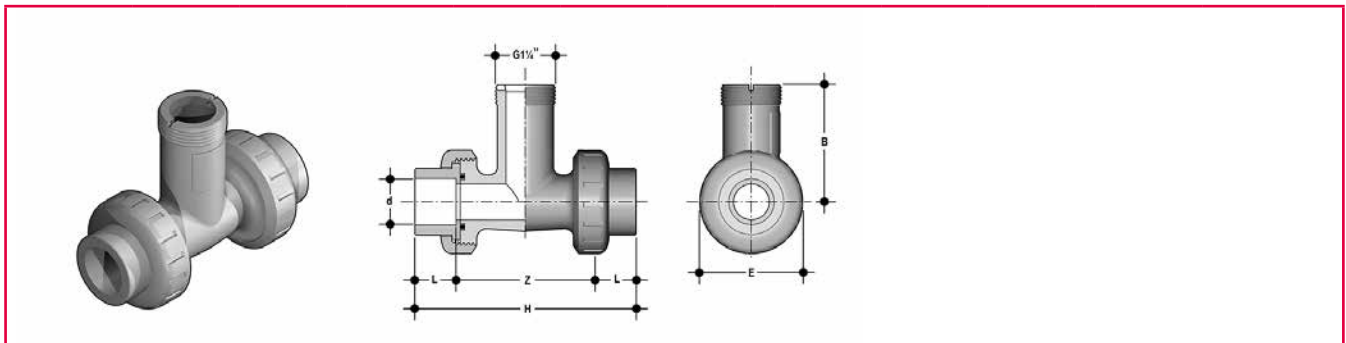
(*) Suitable for: F= Flow sensors; A= Analytical electrodes



ISO Metric Clamp Saddles

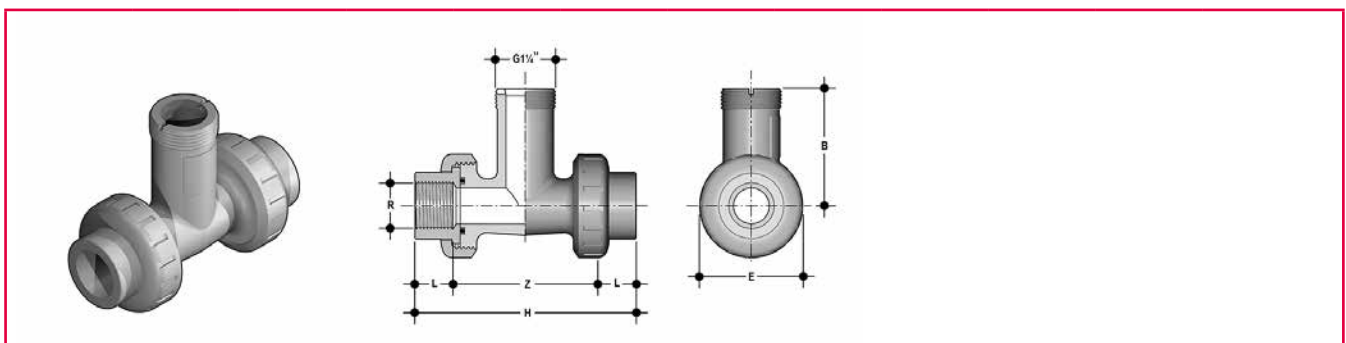
Part No.	DN/ Size	d/R	O-ring	Body	Insert	H	E	h	Drilling Hole	Flow Sensor Lenght	Suitable for (*)
SVIC063BVC	50	63	EPDM	UPVC	C-PVC	105	116	86.7	35	L0	F & A
SVIC075BVC	65	75	EPDM	UPVC	C-PVC	105	134	90.8	35	L0	F & A
SVIC090BVC	80	90	EPDM	UPVC	C-PVC	105	152	95.9	40	L0	F & A
SVIC110BVC	100	110	EPDM	UPVC	C-PVC	105	176	102.8	40	L0	F & A
SVIC125BVC	110	125	EPDM	UPVC	C-PVC	112	190	137.9	40	L1	F
SVIC140BVC	125	140	EPDM	UPVC	C-PVC	114	214	143.1	40	L1	F
SVIC160BVC	150	160	EPDM	UPVC	C-PVC	120	238	149.9	40	L1	F
SVIC200BVC	180	200	EPDM	UPVC	C-PVC	133	300	163.7	40	L1	F
SVIC225BVC	200	225	EPDM	UPVC	C-PVC	125	333	172.3	40	L1	F
SVIC063DVC	50	63	FPM	UPVC	C-PVC	105	116	86.7	35	L0	F & A
SVIC075DVC	65	75	FPM	UPVC	C-PVC	105	134	90.8	35	L0	F & A
SVIC090DVC	80	90	FPM	UPVC	C-PVC	105	152	95.9	40	L0	F & A
SVIC110DVC	100	110	FPM	UPVC	C-PVC	105	176	102.8	40	L0	F & A
SVIC125DVC	110	125	FPM	UPVC	C-PVC	112	190	137.9	40	L1	F
SVIC140DVC	125	140	FPM	UPVC	C-PVC	114	214	143.1	40	L1	F
SVIC160DVC	150	160	FPM	UPVC	C-PVC	120	238	149.9	40	L1	F
SVIC200DVC	180	200	FPM	UPVC	C-PVC	133	300	163.7	40	L1	F
SVIC225DVC	200	225	FPM	UPVC	C-PVC	125	333	172.3	40	L1	F
SMIC250IVC*	225	250	NBR	PP	C-PVC	79	324	203.5	40	L0	F
SMIC280IVC*	250	280	NBR	PP	C-PVC	88	385	212.2	40	L1	F
SMIC315IVC*	280	315	NBR	PP	C-PVC	88	385	220.1	40	L1	F

* For IP68 sensors or compact monitors only



ISO Metric PP Tee Fittings (female ends for socket welding)

Part No.	DN/ Size	d/R	O-ring	Body	H	Z	L	B	E	Flow Sensor Length	Suitable for (*)
TFIM20B	15	20	EPDM	PP	111	73	14.5	73	53	L0	F & A
TFIM25B	20	25	EPDM	PP	120.5	80	16	80	62	L0	F & A
TFIM32B	25	32	EPDM	PP	133.5	81	18	81	71	L0	F & A
TFIM40B	32	40	EPDM	PP	163.5	84	20.5	84	84	L0	F & A
TFIM50B	40	50	EPDM	PP	195	82.5	23.5	82.5	98	L0	F & A
TFIM20D	15	20	FPM	PP	111	73	14.5	73	53	L0	F & A
TFIM25D	20	25	FPM	PP	120.5	80	16	80	62	L0	F & A
TFIM32D	25	32	FPM	PP	133.5	81	18	81	71	L0	F & A
TFIM40D	32	40	FPM	PP	163.5	84	20.5	84	84	L0	F & A
TFIM50D	40	50	FPM	PP	195	82.5	23.5	82.5	98	L0	F & A



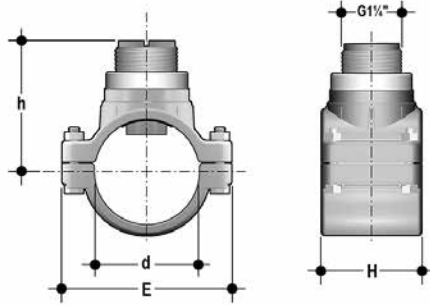
BSP Female Threaded PP Tee Fittings (parallel threaded female ends)

Part No.	DN/ Size	d/R	O-ring	Body	H	Z	L	B	E	Flow Sensor Length	Suitable for (*)
TFFM20B	15	1/2"	EPDM	PP	113	83	15	73	53	L0	F & A
TFFM25B	20	3/4"	EPDM	PP	126	93.4	16.3	80	62	L0	F & A
TFFM32B	25	1"	EPDM	PP	139.5	101.3	19.1	81	71	L0	F & A
TFFM40B	32	1 1/4"	EPDM	PP	17	127.2	21.4	84	84	L0	F & A
TFFM50B	40	1 1/2"	EPDM	PP	199	156.2	21.4	82.5	98	L0	F & A
TFFM20D	15	1/2"	FPM	PP	113	83	15	73	53	L0	F & A
TFFM25D	20	3/4"	FPM	PP	126	93.4	16.3	80	62	L0	F & A
TFFM32D	25	1"	FPM	PP	139.5	101.3	19.1	81	71	L0	F & A
TFFM40D	32	1 1/4"	FPM	PP	17	127.2	21.4	84	84	L0	F & A
TFFM50D	40	1 1/2"	FPM	PP	199	156.2	21.4	82.5	98	L0	F & A

INSTALLATION FITTINGS

(*) Suitable for: F= Flow sensors; A= Analytical electrodes

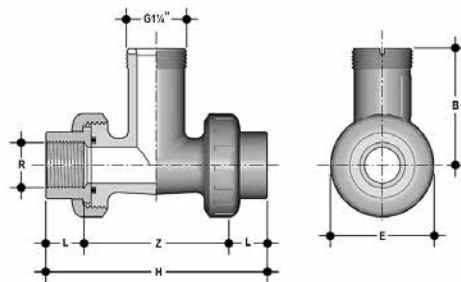
INSTALLATION ON PP PIPES



ISO metric Clamp Saddles

Part No.	DN/ Size	d/R	O-ring	Body	Insert	H	E	h	Drilling Hole	Flow Sensor Length	Suitable for (*)
SVIC063BME	50	63	EPDM	UPVC	C-PVC **	105	116	84.3	35	L0	F & A
SVIC075BME	65	75	EPDM	UPVC	C-PVC **	105	134	88.	35	L0	F & A
SVIC090BME	80	90	EPDM	UPVC	C-PVC **	105	152	92.6	4	L0	F & A
SVIC110BME	100	110	EPDM	UPVC	C-PVC **	105	176	98.8	40	L0	F & A
SVIC125BME	110	125	EPDM	UPVC	C-PVC **	112	190	133.3	40	L1	F
SVIC140BME	125	140	EPDM	UPVC	C-PVC **	114	214	138.0	40	L1	F
SVIC160BME	150	160	EPDM	UPVC	C-PVC **	120	238	144.1	40	L1	F
SVIC200BME	180	200	EPDM	UPVC	C-PVC **	133	300	156.4	40	L1	F
SVIC225BME	200	225	EPDM	UPVC	C-PVC **	125	333	164.1	40	L1	F
SVIC063DME	50	63	FPM	UPVC	C-PVC **	105	116	84.3	35	L0	F & A
SVIC075DME	65	75	FPM	UPVC	C-PVC **	105	134	88.	35	L0	F & A
SVIC090DME	80	90	FPM	UPVC	C-PVC **	105	152	92.6	4	L0	F & A
SVIC110DME	100	110	FPM	UPVC	C-PVC **	105	176	98.8	40	L0	F & A
SVIC125DME	110	125	FPM	UPVC	C-PVC **	112	190	133.3	40	L1	F
SVIC140DME	125	140	FPM	UPVC	C-PVC **	114	214	138.0	40	L1	F
SVIC160DME	150	160	FPM	UPVC	C-PVC **	120	238	144.1	40	L1	F
SVIC200DME	180	200	FPM	UPVC	C-PVC **	133	300	156.4	40	L1	F
SVIC225DME	200	225	FPM	UPVC	C-PVC **	125	333	164.1	40	L1	F
SMIC250IME*	225	250	NBR	PP	C-PVC **	79	324	189.9	40	L0	F
SMIC280IME*	250	280	NBR	PP	C-PVC **	88	385	200.2	40	L1	F
SMIC315IME*	300	315	NBR	PP	C-PVC **	88	385	209.3	40	L1	F

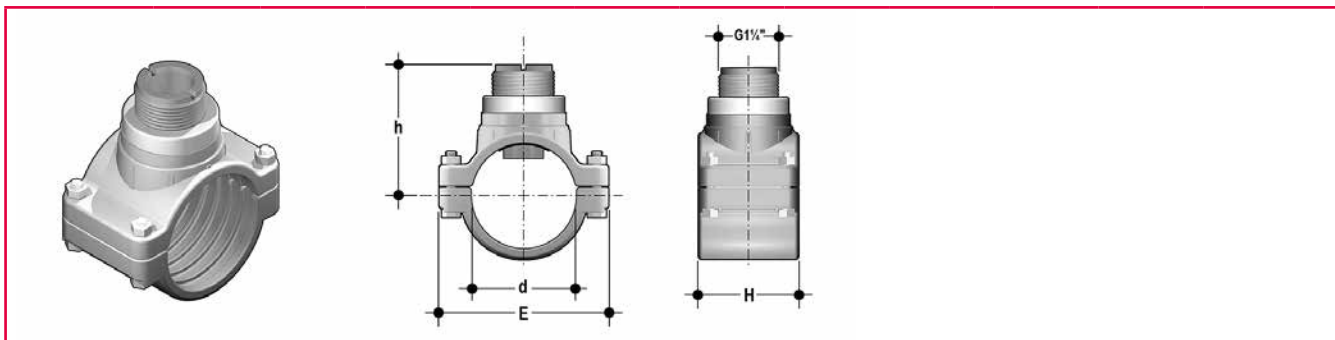
* For IP68 sensors or compact monitors only ** PVDF insert available on request



NPT Female Threaded PP Tee Fittings (NPT threaded female ends)

Part No.	DN/ Size	d/R	O-ring	Body	H	Z	L	B	E	Flow Sensor Length	Suitable for (*)
TFNM20B	15	1/2"	EPDM	PP	4.45"	3.05"	0.70"	2.87"	2.09"	L0	F & A
TFNM25B	20	3/4"	EPDM	PP	4.96"	3.54"	0.71"	3.15"	2.44"	L0	F & A
TFNM32B	25	1"	EPDM	PP	5.49"	3.71"	0.89"	3.19"	2.80"	L0	F & A
TFNM40B	32	1 1/4"	EPDM	PP	6.69"	4.84"	0.93"	3.31"	3.31"	L0	F & A
TFNM50B	40	1 1/2"	EPDM	PP	7.83"	5.59"	1.12"	3.25"	3.86"	L0	F & A
TFNM20D	15	1/2"	FPM	PP	4.45"	3.05"	0.70"	2.87"	2.09"	L0	F & A
TFNM25D	20	3/4"	FPM	PP	4.96"	3.54"	0.71"	3.15"	2.44"	L0	F & A
TFNM32D	25	1"	FPM	PP	5.49"	3.71"	0.89"	3.19"	2.80"	L0	F & A
TFNM40D	32	1 1/4"	FPM	PP	6.69"	4.84"	0.93"	3.31"	3.31"	L0	F & A
TFNM50D	40	1 1/2"	FPM	PP	7.83"	5.59"	1.12"	3.25"	3.86"	L0	F & A

(*) Suitable for: F= Flow sensors; A= Analytical electrodes

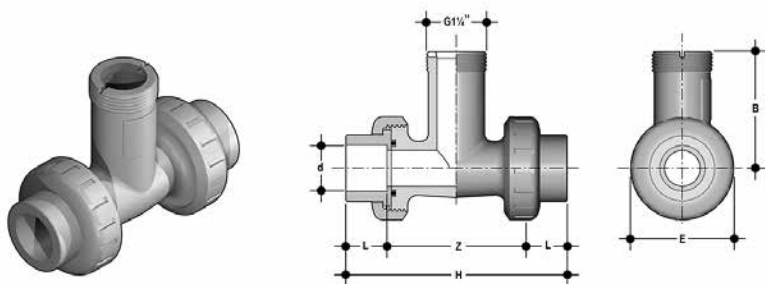


ASTM Clamp Saddles

Part No.	DN/ Size	d/R	O-ring	Body	Insert	H	E	h	Drilling Hole	Flow Sensor Length	Suitable for (*)
SVAC2.0BVM	50	2"	EPDM	UPVC	C-PVC**	4.13"	4.57"	3.29"	1.38"	L0	F & A
SVAC2.5BVM	65	2 1/2"	EPDM	UPVC	C-PVC**	4.13"	5.28"	3.43"	1.38"	L0	F & A
SVAC3.0BVM	80	3"	EPDM	UPVC	C-PVC**	4.13"	5.98"	3.65"	1.57"	L0	F & A
SVAC4.0BVM	100	4"	EPDM	UPVC	C-PVC**	4.13"	6.93"	4.00"	1.57"	L0	F & A
SVAC5.0BVM	125	5"	EPDM	UPVC	C-PVC**	4.49"	8.43"	5.55"	1.57"	L1	F
SVAC6.0BVM	150	6"	EPDM	UPVC	C-PVC**	4.72"	9.37"	5.91"	1.57"	L1	F
SVAC8.0BVM	200	8"	EPDM	UPVC	C-PVC**	4.92"	13.11"	6.61"	1.57"	L1	F
SVAC2.0DVM	50	2"	FPM	UPVC	C-PVC**	4.13"	4.57"	3.29"	1.38"	L0	F & A
SVAC2.5DVM	65	2 1/2"	FPM	UPVC	C-PVC**	4.13"	5.28"	3.43"	1.38"	L0	F & A
SVAC3.0DVM	80	3"	FPM	UPVC	C-PVC**	4.13"	5.98"	3.65"	1.57"	L0	F & A
SVAC4.0DVM	100	4"	FPM	UPVC	C-PVC**	4.13"	6.93"	4.00"	1.57"	L0	F & A
SVAC5.0DVM	125	5"	FPM	UPVC	C-PVC**	4.49"	8.43"	5.55"	1.57"	L1	F
SVAC6.0DVM	150	6"	FPM	UPVC	C-PVC**	4.72"	9.37"	5.91"	1.57"	L1	F
SVAC8.0DVM	200	8"	FPM	UPVC	C-PVC**	4.92"	13.11"	6.61"	1.57"	L1	F

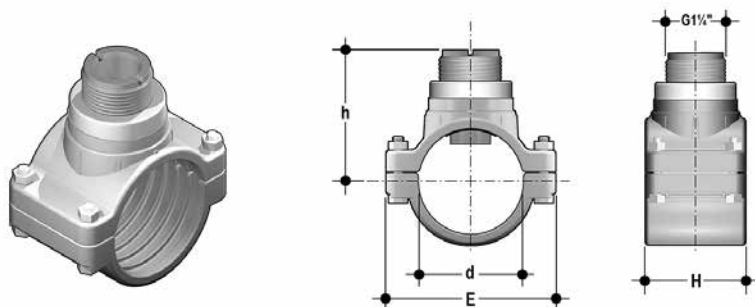
** PVDF insert available on request

(*) Suitable for: F= Flow sensors; A= Analytical electrodes



ISO Metric PVDF Tee Fittings (female ends for socket welding)

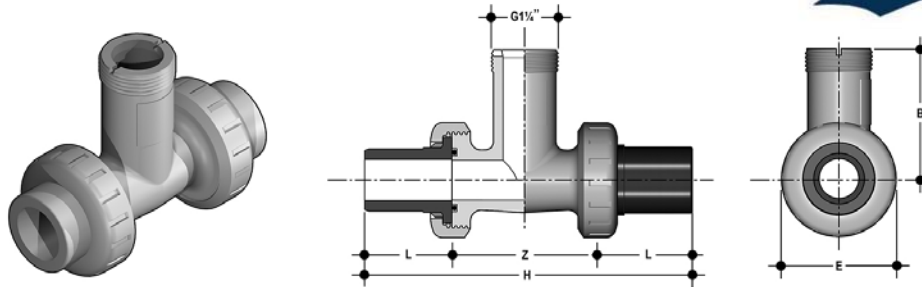
Part No.	DN/Size	d/R	O-ring	Body	H	Z	L	B	E	Flow Sensor Length	Suitable for (*)
TFIF20B	15	20	EPDM	PVDF	111	82	14.5	73	53	L0	F & A
TFIF25B	20	25	EPDM	PVDF	120.5	88.5	16	80	62	L0	F & A
TFIF32B	25	32	EPDM	PVDF	133.5	97	18	81	71	L0	F & A
TFIF40B	32	40	EPDM	PVDF	161.5	120.5	20.5	84	84	L0	F & A
TFIF50B	40	50	EPDM	PVDF	193.5	146.5	23.5	82.5	98	L0	F & A
TFIF20D	15	20	FPM	PVDF	111	82	14.5	73	53	L0	F & A
TFIF25D	20	25	FPM	PVDF	120.5	88.5	16	80	62	L0	F & A
TFIF32D	25	32	FPM	PVDF	133.5	97	18	81	71	L0	F & A
TFIF40D	32	40	FPM	PVDF	161.5	120.5	20.5	84	84	L0	F & A
TFIF50D	40	50	FPM	PVDF	193.5	146.5	23.5	82.5	98	L0	F & A



ISO Metric Clamp Saddles

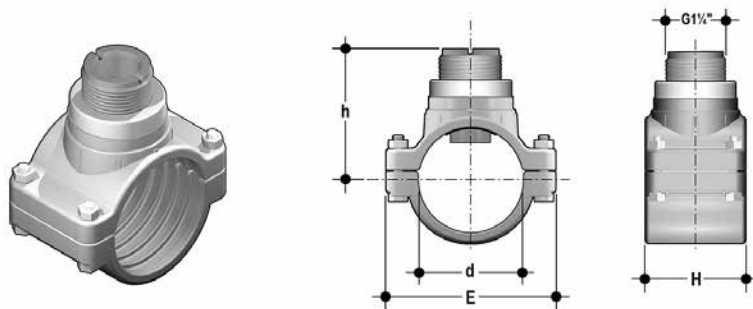
Part No.	DN/Size	d/R	O-ring	Body	Insert	H	E	h	Drilling Hole	Flow Sensor Length	Suitable for (*)
SVIF063BF	50	63	EPDM	UPVC	PVDF	105	116	87.2	35	L0	F & A
SVIF075BF	65	75	EPDM	UPVC	PVDF	105	134	91.5	35	L0	F & A
SVIF090BF	80	90	EPDM	UPVC	PVDF	105	152	96.8	40	L0	F & A
SVIF110BF	100	110	EPDM	UPVC	PVDF	105	176	104.0	40	L0	F & A
SVIF125BF	110	125	EPDM	UPVC	PVDF	112	190	139.3	40	L1	F
SVIF140BF	125	140	EPDM	UPVC	PVDF	114	214	144.6	40	L1	F
SVIF160BF	150	160	EPDM	UPVC	PVDF	120	238	151.8	40	L1	F
SVIF200BF	180	200	EPDM	UPVC	PVDF	133	300	165.9	40	L1	F
SVIF225BF	200	225	EPDM	UPVC	PVDF	125	333	174.9	40	L1	F
SVIF063DF	50	63	FPM	UPVC	PVDF	105	116	87.2	35	L0	F & A
SVIF075DF	65	75	FPM	UPVC	PVDF	105	134	91.5	35	L0	F & A
SVIF090DF	80	90	FPM	UPVC	PVDF	105	152	96.8	40	L0	F & A
SVIF110DF	100	110	FPM	UPVC	PVDF	105	176	104.0	40	L0	F & A
SVIF125DF	110	125	FPM	UPVC	PVDF	112	190	139.3	40	L1	F
SVIF140DF	125	140	FPM	UPVC	PVDF	114	214	144.6	40	L1	F
SVIF160DF	150	160	FPM	UPVC	PVDF	120	238	151.8	40	L1	F
SVIF200DF	180	200	FPM	UPVC	PVDF	133	300	165.9	40	L1	F
SVIF225DF	200	225	FPM	UPVC	PVDF	125	333	174.9	40	L1	F

(*) Suitable for: F= Flow sensors; A= Analytical electrodes



ISO Metric PVC Tee Fittings (PE end connectors for electrotusion or butt welding)

Part No.	DN/Size	d/R	O-ring	Body	H	Z	L	B	E	Flow Sensor Length	Suitable for (*)
TFIV20BE	15	20	EPDM	UPVC	183	73	55	73	53	L0	F & A
TFIV25BE	20	25	EPDM	UPVC	223	83	70	80	62	L0	F & A
TFIV32BE	25	32	EPDM	UPVC	237	89	74	81	71	L0	F & A
TFIV40BE	32	40	EPDM	UPVC	266	110	78	84	84	L0	F & A
TFIV50BE	40	50	EPDM	UPVC	295	127	84	82.5	98	L0	F & A
TFIV20DE	15	20	FPM	UPVC	183	73	55	73	53	L0	F & A
TFIV25DE	20	25	FPM	UPVC	223	83	70	80	62	L0	F & A
TFIV32DE	25	32	FPM	UPVC	237	89	74	81	71	L0	F & A
TFIV40DE	32	40	FPM	UPVC	266	110	78	84	84	L0	F & A
TFIV50DE	40	50	FPM	UPVC	295	127	84	82.5	98	L0	F & A

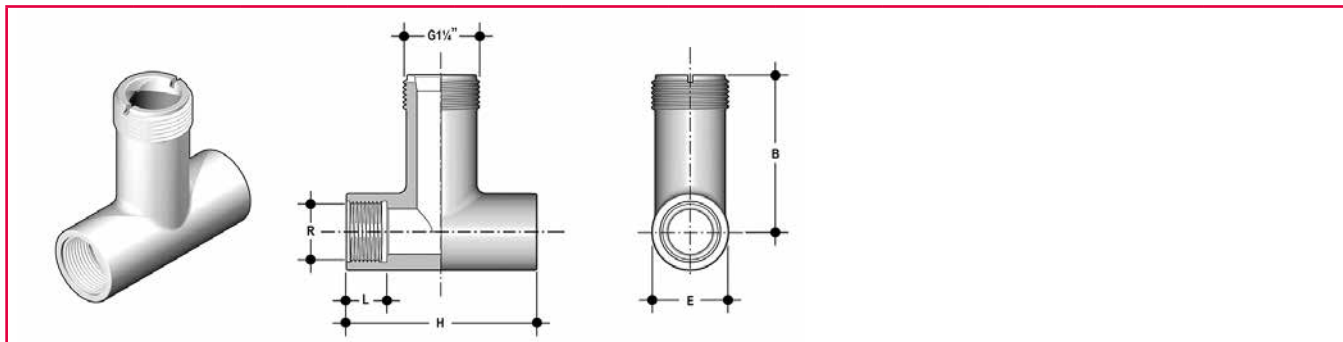


ISO Metric Clamp Saddles

Part No.	DN/Size	d/R	O-ring	Body	Insert	H	E	h	Drilling Hole	Flow Sensor Length	Suitable for (*)
SVIC063BME	50	63	EPDM	UPVC	C-PVC	105	116	84.3	35	L0	F & A
SVIC075BME	65	75	EPDM	UPVC	C-PVC	105	134	88.	35	L0	F & A
SVIC090BME	80	90	EPDM	UPVC	C-PVC	105	152	92.6	4	L0	F & A
SVIC110BME	100	110	EPDM	UPVC	C-PVC	105	176	98.8	40	L0	F & A
SVIC125BME	110	125	EPDM	UPVC	C-PVC	112	190	133.3	40	L1	F
SVIC140BME	125	140	EPDM	UPVC	C-PVC	114	214	138.0	40	L1	F
SVIC160BME	150	160	EPDM	UPVC	C-PVC	120	238	144.1	40	L1	F
SVIC200BME	180	200	EPDM	UPVC	C-PVC	133	300	156.4	40	L1	F
SVIC225BME	200	225	EPDM	UPVC	C-PVC	125	333	164.1	40	L1	F
SVIC063DME	50	63	FPM	UPVC	C-PVC	105	116	84.3	35	L0	F & A
SVIC075DME	65	75	FPM	UPVC	C-PVC	105	134	88.	35	L0	F & A
SVIC090DME	80	90	FPM	UPVC	C-PVC	105	152	92.6	4	L0	F & A
SVIC110DME	100	110	FPM	UPVC	C-PVC	105	176	98.8	40	L0	F & A
SVIC125DME	110	125	FPM	UPVC	C-PVC	112	190	133.3	40	L1	F
SVIC140DME	125	140	FPM	UPVC	C-PVC	114	214	138.0	40	L1	F
SVIC160DME	150	160	FPM	UPVC	C-PVC	120	238	144.1	40	L1	F
SVIC200DME	180	200	FPM	UPVC	C-PVC	133	300	156.4	40	L1	F
SVIC225DME	200	225	FPM	UPVC	C-PVC	125	333	164.1	40	L1	F
SMIC250IME*	225	250	NBR	PP	C-PVC	79	324	189.9	40	L0	F
SMIC280IME*	250	280	NBR	PP	C-PVC	88	385	200.2	40	L1	F
SMIC315IME*	300	315	NBR	PP	C-PVC	88	385	209.3	40	L1	F

* For IP68 sensors or compact monitors only

(*) Suitable for: F= Flow sensors; A= Analytical electrodes



BSP Female Threaded 316 SS Tee Fittings

Part No.	DN/Size	d/R	O-ring	Body	H	Z	L	B	E	Flow Sensor Length	Suitable for (*)
TFFX20	15	1/2"	-	316 SS	85	-	16	73	42	L0	F & A
TFFX25	20	3/4"	-	316 SS	95	-	20	81.2	42	L0	F & A
TFFX32	25	1"	-	316 SS	105	-	22.5	81.2	42	L0	F & A
TFFX40	32	1 1/4"	-	316 SS	12	-	20.5	83.8	54	L0	F & A

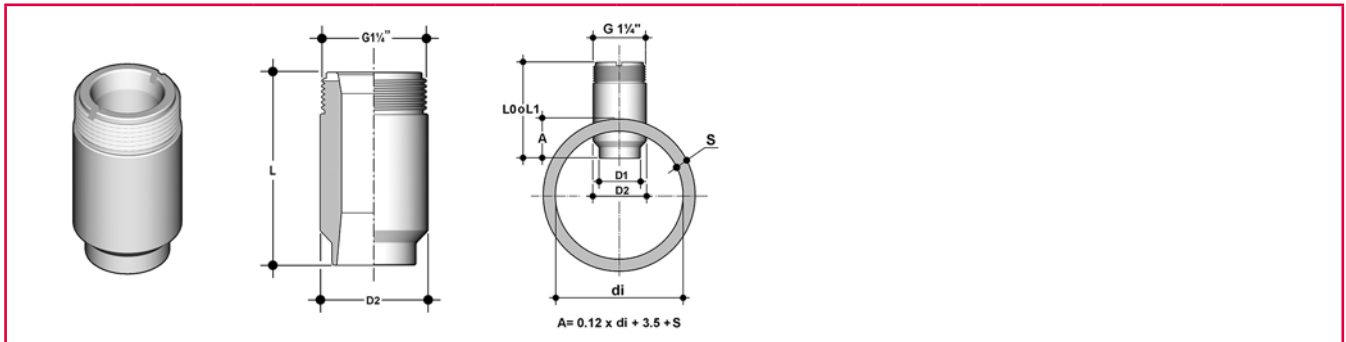


Strap-on Saddles

Part No.	DN/Size	O.D. min.	O.D. max	Parallel Thread (GAS)	O-ring	Body	Insert	h	Drilling Hole	Flow Sensor Length	Suitable for (*)
SZIC080I*	80	88	104	1 1/4"	EPDM	Cast iron + SS	C-PVC	153	40	L0	F
SZIC100I*	100	112	126	1 1/4"	EPDM	Cast iron + SS	C-PVC	160	40	L0	F
SZIC125I*	125	140	154	1 1/4"	EPDM	Cast iron + SS	C-PVC	170	40	L0	F
SZIC150I*	150	168	184	1 1/4"	EPDM	Cast iron + SS	C-PVC	180	40	L0	F
SZIC200I*	218	234	244	1 1/4"	EPDM	Cast iron + SS	C-PVC	228	40	L1	F
SZIC250I*	272	286	295	1 1/4"	EPDM	Cast iron + SS	C-PVC	247	40	L1	F
SZIC300I*	322	344	354	1 1/4"	EPDM	Cast iron + SS	C-PVC	266	40	L1	F
SZIC350I*	356	384	414	1 1/4"	EPDM	Cast iron + SS	C-PVC	305	40	L1	F
SZIC400I*	425	458	472	1 1/4"	EPDM	Cast iron + SS	C-PVC	324	40	L1	F
SZIC450I*	475	516	534	1 1/4"	EPDM	Cast iron + SS	C-PVC	343	40	L1	F

(*) For IP68 sensors or compact monitors only

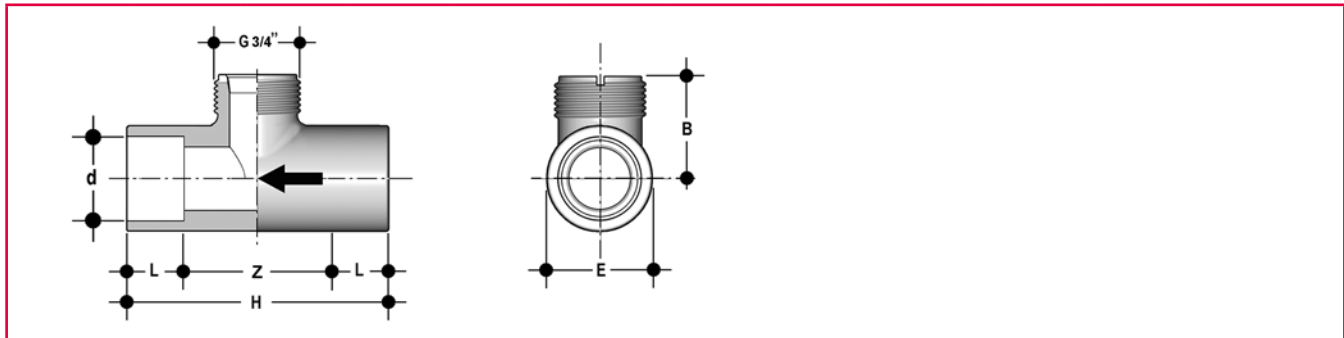
(*) Suitable for: F= Flow sensors; A= Analytical electrodes



316L SS Weld on Adapters

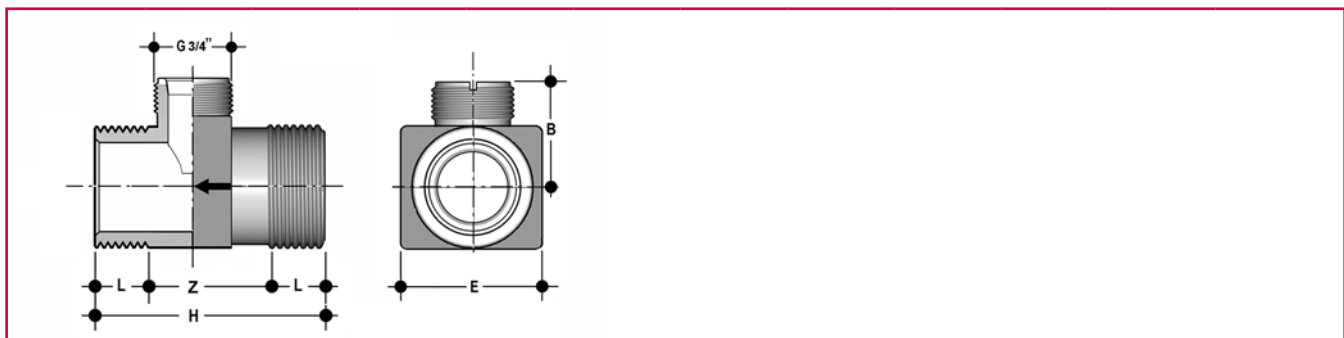
Part No.	DN/Size	d/R	Parallel Thread (GAS)	Body	L	D1	D2	Drilling Hole	Flow Sensor Length	Suitable for (*)
WAIXL0	40	-	1 1/4"	316L SS	68.5	33,9	34	34	L0	F & A
WAIXL0	50	-	1 1/4"	316L SS	68.5	33,9	44	44	L0	F & A
WAIXL0	60	-	1 1/4"	316L SS	68.5	33,9	44	44	L0	F & A
WAIXL0	65	-	1 1/4"	316L SS	68.5	33,9	44	44	L0	F & A
WAIXL0	80	-	1 1/4"	316L SS	68.5	33,9	44	44	L0	F & A
WAIXL0	100	-	1 1/4"	316L SS	68.5	33,9	44	44	L0	F & A
WAIXL0	110	-	1 1/4"	316L SS	68.5	33,9	44	44	L0	F & A
WAIXL0	125	-	1 1/4"	316L SS	68.5	33,9	44	44	L0	F
WAIXL0	150	-	1 1/4"	316L SS	68.5	33,9	44	44	L0	F
WAIXL0	175	-	1 1/4"	316L SS	68.5	33,9	44	44	L0	F
WAIXL0	200	-	1 1/4"	316L SS	68.5	33,9	44	44	L0	F
WAIXL0	225	-	1 1/4"	316L SS	68.5	33,9	44	44	L1	F
WAIXL1	250	-	1 1/4"	316L SS	98.5	33,9	44	44	L1	F
WAIXL1	300	-	1 1/4"	316L SS	98.5	33,9	44	44	L1	F
WAIXL1	350	-	1 1/4"	316L SS	98.5	33,9	44	44	L1	F
WAIXL1	400	-	1 1/4"	316L SS	98.5	33,9	44	44	L1	F
WAIXL1	450	-	1 1/4"	316L SS	98.5	33,9	44	44	L1	F
WAIXL1	500	-	1 1/4"	316L SS	98.5	33,9	44	44	L1	F
WAIXL1	600	-	1 1/4"	316L SS	98.5	33,9	44	44	L1	F

(*) Suitable for: F= Flow sensors; A= Analytical electrodes



ISO Metric PVC Tee Fittings (female ends for solvent welding)

Part No.	DN/ Size	d/R	O-ring	Body	H	Z	L	B	E	Flow Sensor Length	Suitable for (*)
TMIV20MF	15	20	-	UPVC	43	11	16	27	27	-	F
TMIV25MF	20	25	-	UPVC	52	14	19	30	33	-	F
TMIV32MF	25	32	-	UPVC	61,5	17,5	22	33,5	41	-	F
TMIV40MF	32	40	-	UPVC	74	22	26	38	50	-	F
TMIV50MF	40	50	-	UPVC	89	27	31	43	61	-	F



ISO Metric BRASS Tee Fitting (1 1/4" male threaded ends)

Part No.	DN/ Size	d/R	O-ring	Body	H	Z	L	B	E	Flow Sensor Length	Suitable for (*)
TMFODN23	23	1 1/4"	-	BRASS	74,2	46,2	14	28	50	-	F

(*) Suitable for: F= Flow sensors; A= Analytical electrodes



316L SS Weld-on Adapters

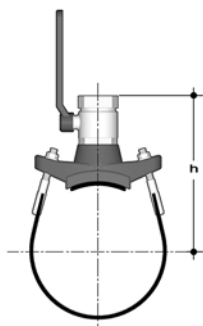
Part No.	DN/Size	d/R	Parallel Thread (GAS)	Body	L	D1	D2	Drilling Hole	Flow Sensor Length	Suitable for (*)
WAIXHP	40	-	1 1/4"	316L SS	68,5	34	42,8	34	L0	F
WAIXHP	50	-	1 1/4"	316L SS	68,5	34	42,8	43	L0	F
WAIXHP	60	-	1 1/4"	316L SS	68,5	34	42,8	43	L0	F
WAIXHP	65	-	1 1/4"	316L SS	68,5	34	42,8	43	L0	F
WAIXHP	80	-	1 1/4"	316L SS	68,5	34	42,8	43	L0	F
WAIXHP	100	-	1 1/4"	316L SS	68,5	34	42,8	43	L0	F
WAIXHP	110	-	1 1/4"	316L SS	68,5	34	42,8	43	L0	F
WAIXHP	125	-	1 1/4"	316L SS	68,5	34	42,8	43	L0	F
WAIXHP	150	-	1 1/4"	316L SS	68,5	34	42,8	43	L0	F
WAIXHP	175	-	1 1/4"	316L SS	68,5	34	42,8	43	L0	F
WAIXHP	200	-	1 1/4"	316L SS	68,5	34	42,8	43	L0	F

(*) Suitable for: F= Flow sensors; A= Analytical electrodes



HOT TAP INSERTION INSTALLATION

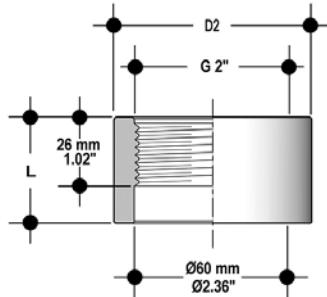
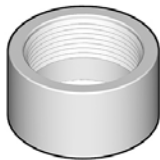
INSTALLATION ON METAL AND PLASTIC PIPES



Strap-on Saddles ***

Part No.	DN/Size	O.D. min.	O.D. max	Parallel Thread (GAS)	O-ring	Body	Insert	h	Drilling Hole	Flow Sensor Length	Suitable for (*)
SZIC080IHT	80	88	104	2.00"	EPDM	Cast iron + SS	-	160	min 32	-	F
SZIC100IHT	100	112	126	2.00"	EPDM	Cast iron + SS	-	170	min 32	-	F
SZIC125IHT	125	140	154	2.00"	EPDM	Cast iron + SS	-	172	min 32	-	F
SZIC150IHT	150	168	184	2.00"	EPDM	Cast iron + SS	-	172	min 32	-	F
SZIC200IHT	200	218	234	2.00"	EPDM	Cast iron + SS	-	177	min 32	-	F
SZIC250IHT	250	272	286	2.00"	EPDM	Cast iron + SS	-	175	min 32	-	F
SZIC300IHT	300	322	344	2.00"	EPDM	Cast iron + SS	-	178	min 32	-	F
SZIC350IHT	350	356	384	2.00"	EPDM	Cast iron + SS	-	178	min 32	-	F
SZIC400IHT	400	425	458	2.00"	EPDM	Cast iron + SS	-	171	min 32	-	F
SZIC450IHT	450	475	516	2.00"	EPDM	Cast iron + SS	-	180	min 32	-	F

*** Bigger sizes available on request



316L SS Weld-on Adapters

Part No.	DN/Size	d/R	Parallel Thread (GAS)	Body	L	D1	D2	Drilling Hole	Flow Sensor Length	Suitable for (*)
WAIXHT	350	-	2.00"	316L SS	40	-	75	min 32	-	F
WAIXHT	400	-	2.00"	316L SS	40	-	75	min 32	-	F
WAIXHT	450	-	2.00"	316L SS	40	-	75	min 32	-	F
WAIXHT	500	-	2.00"	316L SS	40	-	75	min 32	-	F
WAIXHT	600	-	2.00"	316L SS	40	-	75	min 32	-	F
WAIXHT	700	-	2.00"	316L SS	40	-	75	min 32	-	F
WAIXHT	800	-	2.00"	316L SS	40	-	75	min 32	-	F
WAIXHT	900	-	2.00"	316L SS	40	-	75	min 32	-	F

INSTALLATION FITTINGS

(*) Suitable for: F= Flow sensors; A= Analytical electrodes








SPECIFIC ADAPTERS FOR ANALYTICAL ELECTRODES INSTALLATION



ADAPTERS FOR IN-LINE, SUBMERSIBLE AND WET-TAP INSTALLATION



In-line					
	Part No.	Body	Description	Suitable for	Weight (gr.)
	EG12SS	SS	1/2" male Electrode Gland	C300	300
	TCONIV32E	PVCU	T fitting d32 DN25	C150-200	500
	TCONIV40E	PVCU	T fitting d40 DN32	C150-200	550
	TCONIV50E	PVCU	T fitting d50 DN40	C150-200	600
	TCONIC32E	PVCC	T fitting d32 DN25	C150-200	500
	TCONIC40E	PVCC	T fitting d40 DN32	C150-200	550
	TCONIC50E	PVCC	T fitting d50 DN40	C150-200	600
	TPHIV32E	PVCU	T fitting d32 DN25	PH/ORP.200 (excluded PH223CD; ORP223CD)	500
	TPHIV40E	PVCU	T fitting d40 DN32	PH/ORP.200 (excluded PH223CD; ORP223CD)	550
	TPHIV50E	PVCU	T fitting d50 DN40	PH/ORP.200 (excluded PH223CD; ORP223CD)	600
	TPHIC32E	PVCC	T fitting d32 DN25	PH/ORP.200 (excluded PH223CD; ORP223CD)	500
	TPHIC40E	PVCC	T fitting d40 DN32	PH/ORP.200 (excluded PH223CD; ORP223CD)	550
	TPHIC50E	PVCC	T fitting d50 DN40	PH/ORP.200 (excluded PH223CD; ORP223CD)	600
	TPHIC32C	PVCC	T fitting d32 DN25	PH660-ORP660	500
	TPHIC40C	PVCC	T fitting d40 DN32	PH660-ORP660	550
	TPHIC50C	PVCC	T fitting d50 DN40	PH660-ORP660	600
	EG66P	PVCC	3/4" male Electrode Gland	PH660-ORP660	45
	MK660	PVCC	Installation KIT (adapter + yellow cap) for FLS fittings up to DN100 (4")	PH660-ORP660	165
	MK150200	PVCC	Installation KIT (EG50P, adapter, yellow cap) for FLS fittings up to DN100 (4")	PH200C, ORP200C, C150.1 TC	
	GEG135SE	PP	gland electrode for PG13.5 electrode with electrode head protection 1 1/4" G.M.	PH430CD; ORP430CD; PH435CD	500
	F3.SP2.4	PVCU	Yellow Electrode Cap for FLS fittings up to DN100 (4")	PH223CD; ORP223CD	60

INSTALLATION FITTINGS

ADAPTERS FOR IN-LINE, SUBMERSIBLE AND WET-TAP INSTALLATION

In-line / Submersible					
	Part No.	Body	Description	Suitable for	Weight (gr.)
	GEG135	PVCU	gland electrode for PG13.5 electrode or o 12mm body 1/2" G.M.	PH-ORP.400	70
	EG50P	PP	1/2" male Electrode Gland	PH-ORP.200 (excluded PH223CD; ORP223CD), C150-200, T970278; T970196	45
	EG75P	PP	3/4" male Electrode Gland	PH-ORP.200 (excluded PH223CD; ORP223CD), C150-200, T970278; T970196	45
	EG135FS	PVDF/FPM	short gland electrode for PG13.5 electrode 1/2"	PH-ORP430; PH435CD	40
	EG135FL	PVDF/FPM	long gland electrode for PG13.5 electrode 1/2"	PH-ORP430; PH435CD	65

Submersible					
	Part No.	Body	Description	Suitable for	Weight (gr.)
	MIFV20X05	PVCU	Double socket 20x1/2" (pipe customer supplied)	PH200C-ORP200C (with EG50P), PH222CD-ORP222CD (with CN653), (GEG135), PH650-ORP650 (with CN653), C150-200 (with EG50P)	30
	MIMC20X05	PVCC	Double socket 20x1/2" (pipe customer supplied)	PH200C-ORP200C (with EG50P), PH222CD-ORP222CD (with CN653), PH650-ORP650 (with CN653), C150-200 (with EG50P)	30

Hot tap or horizontal					
	Part No.	Body	Description	Suitable for	Weight (gr.)
	WT675	PVCC	Electrode gland for hot tap installation: max insertion 300mm (12")	PH655-ORP655	700
	WT675 TC1	PVCC,SS	Electrode gland for hot tap installation with TC: max insertion 300mm (12")	PH655-ORP655	880