

Capacitive level probe - Typenreihe Leveltec M -



Example : Leveltec M with different adaptions

FEATURES

- LEVEL DETECTION IN FLUIDS, PUMP PROTECTION, PROTECTION AGAINST DRY RUN, EMPTY / FULL INDICATION
- INSTALLATION WITH DIFFERENT PROCESS CONNECTIONS WITH RESPECT OF HYGIENIC ASPECTS
- CONSTANT SWITCH-POINT WITHOUT ANY ALIGNMENT
- DIRECT CONNECTION TO SPS OR PCS

DESCRIPTION

The level switch Leveltec M is used in nonconductive media for the level detection and as dry running protection for pumps. The capacitive measuring procedure enables a wide range of applications also for varying media. Crusts, foam and condensate are not detected.

By its M12x1,5 thread the Leveltec M is best suitable for small pipe dimensions and narrow built-in situations in hygienic applications. Due to its resistance at high cleaning temperature sterilization and CIP-cleaning processes are executable.

The output signal can directly be connected to a SPS or PCS for further processing. The adaption to the process according to hygienic standards is ensured by adequate weld-in parts and by flush mounting.

Capacitive level probe - Typenreihe Leveltec M -

TECHNICAL DATA

| | |
|-------------------------|---|
| Housing | |
| Material codes | Housing 1.4301 / 1.4305 |
| | Threaded connector end WS 22, 1.4571 |
| | Coupling part PEEK |
| Process connection | M 12x1,5 with metallic sealing cone Coupling part PEEK (conform to FDA standards) Connection head stainless steel V2A 1.4305 |
| El. Connection | - Cable gland: M16 x 1,5 - optional: M12 plug in - strip terminal |
| Operational temperature | Process temp.: -20... +100°C Ambient temp.: -20... + 80°C Cleaning temp.: 0... +140°C, max.30 Min. |
| Operational pressure | max. 10 bar (with zem / TP 16) |
| Switching-function | High- / Low level control are determined by the polarity of the auxiliary supply, Constant indication by dichromatic LED |
| Time delay | 0,1 s preset |
| Output signal | Active output 50 mA max., short-circuit-proof |
| Supply voltage | 10...35 V DC, max. 25 mA without switching load |
| Interference resistance | Conform to CE |
| Installation position | optimal: horizontal mounting, sensor tip should immerse almost completely |
| Weld-in accessories | - zem / TP 16, metallic sealing M12x1,5 - Connecting adapters: VARIVENT DN 50/40 (d = 68 mm), pipe screwing DIN 11851, starting DN 40 all types are installed in pipes DIN 11851, adapter sleeves for vibrating forks |
| OPTIONS | external switching status indication by LED |

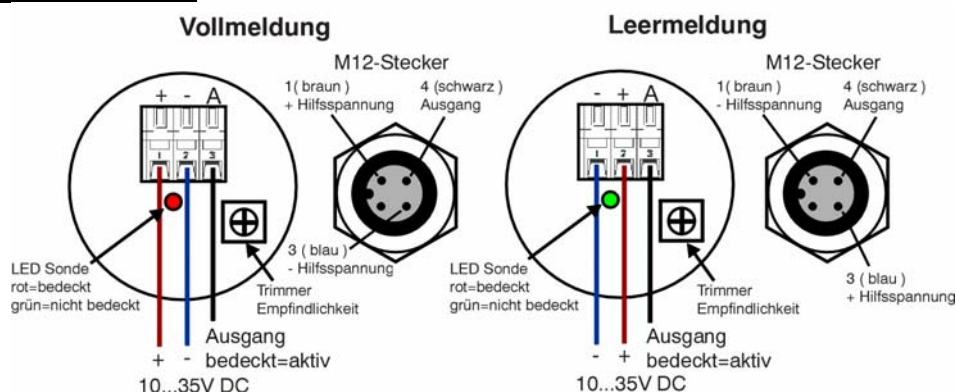
TECHNICAL SPECIALTIES

| | |
|-------------------|--|
| Leveltec M | <p>Reliable detection at water contents in the medium of >20%, by factory the DK-value is set to $\epsilon = 20$</p> <p>Sensitivity adjustment at trimmer (optional, on the circuit board):</p> <ul style="list-style-type: none"> - Higher trigger sensitivity > turn trimmer in + direction (in case of low or no water content of medium) - Low trigger sensitivity > turn trimmer in - direction (in case of crusting or foam media) |
|-------------------|--|

Installation advices

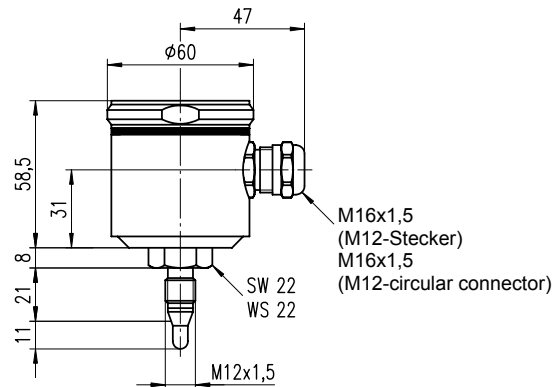
- No use of isolating sealing materials.
- The PEEK coupling part should immerse almost completely in the media to ensure proper function.
- Recommended is horizontal installation e.g. in pipes with '10h' or '14h' position respectively.
- With acid or aqueous media mismeasurements can happen if strong crusts occur.

ELECTRICAL CONNECTION

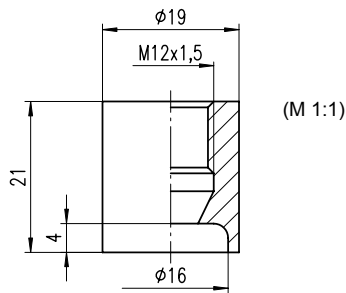


Capacitive level probe - Typenreihe Leveltec M -

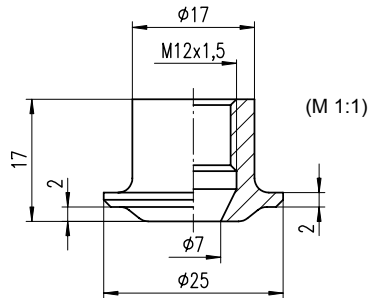
DIMENSIONAL DRAWINGS



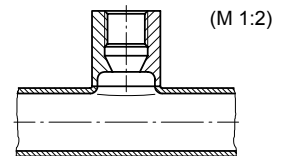
Prozessanschlussadapter adapters for process-connection



zem / TP26
Einschweißmuffe TP26
mit Schweißbund
welding socket TP26
with welded collar

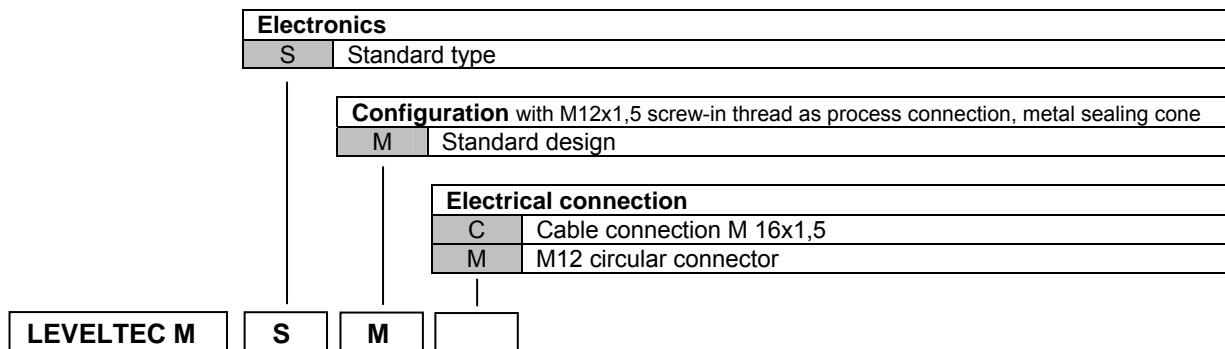


zem / TP26K
Einschweißmuffe TP26K
mit Kragen
welding socket TP26K
with flange



ztm / DN... - M12
Einschweiß-T-Stück mit zem/TP26
DN 15 ... 65
T-piece with zem/TP26
DN 15 ... 65

ORDER INFORMATION



Our products are constantly in further development, therefore subjects to modifications.