

Conductive level sensor - Type NKS 11 -



- CONDUCTIVE THRESHOLD LEVEL DETECTION OF LIQUID MEDIA
- VERSION SUITABLE FOR HIGH-HYGIENE ENVIRONMENTS EHEDG / FDA
- STAINLESS STEEL HOUSING IP67
- MAINTENANCE-FREE
- OPTION: WITH NM LEVEL MODULE

DESCRIPTION

The conductive level sensors are mainly used to detect conductive threshold levels in liquids such as fruit juices, beer, milk, etc. with a minimum conductivity of 5 µS.

The favourable design, with its sealing cone and the corresponding welding sockets, means that there are no places in which residues can collect. The sensor is therefore easy to clean and suitable for use in the food and pharmaceutical industry, etc. CIP- and SIP-suitability are guaranteed.

The non-corrosive materials used for the rod and insulation mean that the sensor is also suitable for corrosive media. Various process connection forms render optimal adaptation to the application possible. The sensor can be shortened, which has a positive and practical effect on storage. The electrode is coated with HALAR, which means that the threshold level detection is also suitable for foaming media.

TECHNICAL DATA

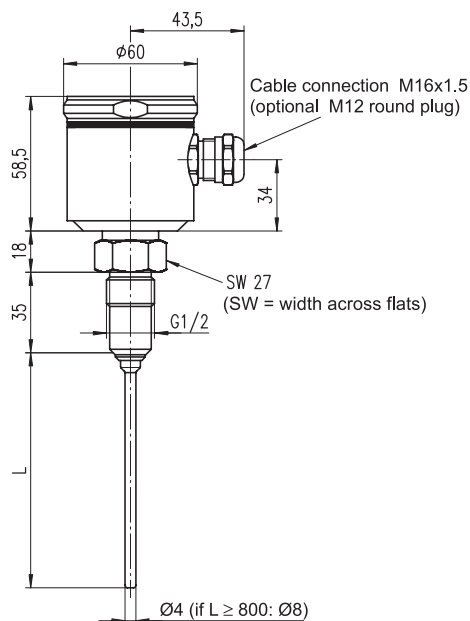
Electrical connection	cable gland M16x1.5
	bipolar terminal (2.5 mm ²)
	optional: M12x1 connection plug
Type of protection	IP 67 acc. EN 60529
Process connection	standard NKS 11: G ½ B threaded connection, 1.4571 / metal seal, torque: approx. 15 Nm optional NKS 13: G ¾ B with union nut and O- ring for welding socket G ¾, l= 1500 mm, d= 11 mm
Electrode length	200, 500, 800, 1500 mm, can be shortened, other lengths on request
Operating temperature	max. 140 °C
Environmental temperature	-10...+60 °C
Operating pressure	Pmax = 6 bar
Insulation	PEEK (FDA-approved)
Sensor rod	stainless steel 1.4571, ø 4 mm
Coating	ECTFE (HALAR), ø 0.7 mm, FDA approved

ACCESSORIES

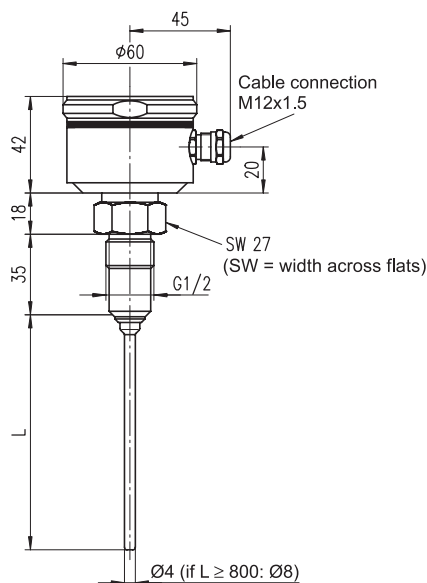
- Please quote separately when ordering -
- welding socket with sealing cone (zem / TP 16), Item No. 06002001
- spherical welding socket with sealing cone (zem / TP 35), Item No. 06002298
- screw connection can also be combined with other installation systems
INSTALLATION INSTRUCTIONS
- the maximum permissible torque (15 Nm) must be taken into account when fitting the sensor
- the tank or pipe wall must be made of metal
- when installing the sensor, only use the key surface, not the connection head
- the process connection thread of the sensor must have free electrical contact to the wall of the pipe/tank (do not use any insulating sealing materials !)

Conductive level sensor - Type NKS 11 -

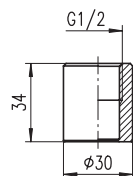
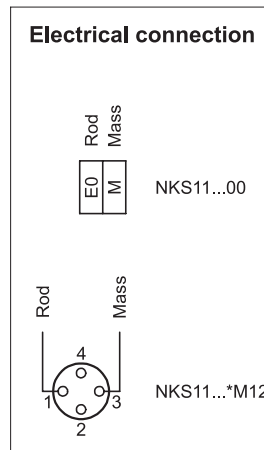
DIMENSIONAL DRAWINGS



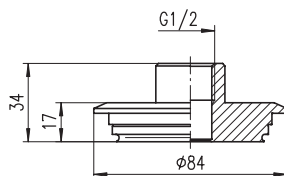
NKS11 ... nm



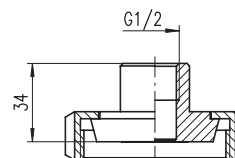
NKS11 ... 00



zem / TP16



zfl / VA - TP16
Varivent flange DN50 / 40



zfl / MG ... - TP16
Conical connection DIN 11851 - DN40 ... DN50

ORDERING INFORMATION (NKS 11)

00100	10 mm,	without coating
02000	200 mm,	without coating
05000	500 mm,	without coating
08000	800 mm,	without coating
10000	1000 mm,	without coating
15000	1500 mm,	without coating
02001	200 mm,	with coating
05001	500 mm,	with coating
08001	800 mm,	with coating
10001	1000 mm,	with coating
15001	1500 mm,	with coating

Output	
O	Terminal
NM	Level module nm installed, adjustable sensitivity

Electrical connection	
O	Cable connection M 16 x 1.5
M	M 12 plug

NKS 11

Our products are constantly in further development, therefore subjects to modifications.