



ELECTRIC ACTUATOR

NA/SCAP (Built-in Super Capacitor Type)



- Anodized with aluminium alloy and powder coating(Polyester, TGIC-Free) is followed for corrosion protection.
- The enclosure is rated IP67 and sealed with o-rings. It enables actuators to be installed outside. (IEC IP67, NEMA 4 and 6)
- 20W space heater is provided to protect internal components from condensation.
- The gears are self-locking mechanically.
- Torque switches (Open/Close) are provided to protect the actuator and its application electrically and mechanically from overload.
- NA series with SCAP are operated by the power of super capacitor in case of power failure.
- Actuators can stop at current position or they can be driven to open or close position depending on user's requirement.
- When a charge lamp blinks super capacitor must be charged. If super capacitor is fully charged it goes off.

II PERFORMANCE

Model	Output Torque		Operating Time(90°) (Sec)	Rated Current (A)		Motor Class (W)	Number of Handle Turns	Weight
	Kg.m	N.m		50Hz/ 60Hz	110V			
NA006	6	60	15	0.6	0.3	15	8.5	13.5
NA009	9	90	17	0.8	0.37	25	8.5	13.5
NA015	15	150	17	1	0.43	40	10	16
NA019	19	190	19	1	0.43	40	10	16
NA028	28	280	22	2.25	1.13	40	12.5	18.5

II STANDARD SPECIFICATION

Enclosure	Watertight Ingress Protection 67 Nema 4 and 6		
Ambient Temperature	-20°C to +70°C	Self Locking	Provided by means of Worm Gearing
Power Supply	95~260VAC 50/60Hz	Mechanical Stops	External Adjustable Screws
Torque Switches	2 Open / Close (Except NA006, NA009)	Space Heater	20W
Limit Switches	2 Open / Close, 250VAC 15A Rating	Cable Entries	2-PF 3/4" (Option: M20xPitch1.5, NPT 3/4")
Stall Protection	Built - in Thermal Protection	Lubrication	Shell Gadus S2 V220 2
Travel Angle	90±5°C	Material	Aluminium
Indicator	Continuous Position Indicator	Surface Treatment	Anodizing
Manual Override	Hand / Auto Decoupling Mechanism	External Coating	Polyester(TGIC-Free)

Ebora BV
t Veld 3-S
NL-6666 MK Heteren (NL)
Website: www.ebora.nl

Tel: +31 (0)26-3706830
Fax: +31 (0)26-3706831
KvK Arnheim nr: 09110367
E-Mail: info@ebora.nl

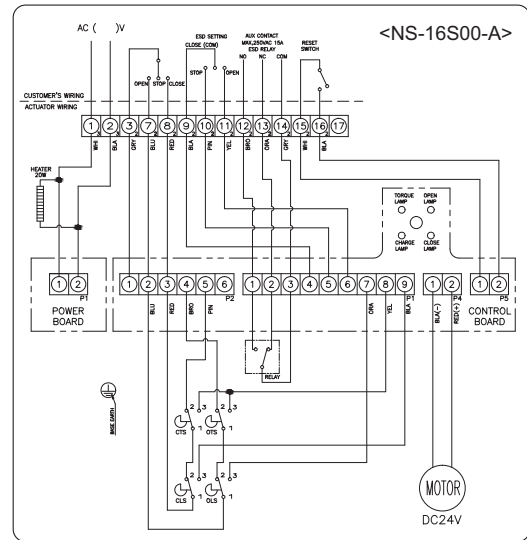
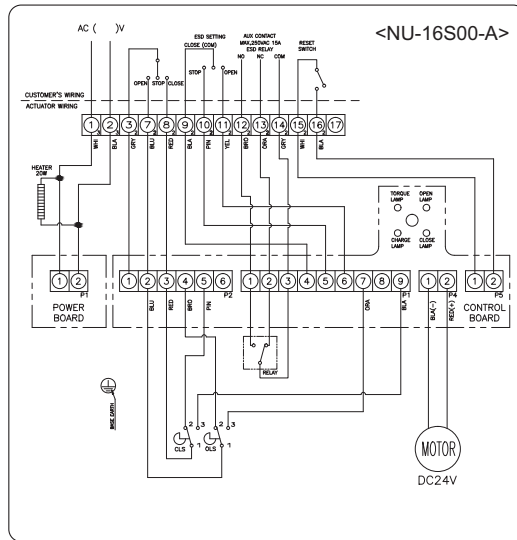
Ebora Proces Automation in een handelsnaam van Ebora BV

BUILT IN SUPER CAPACITOR SPECIFICATION

Power Supply	AC90V ~ 250V 50/60Hz		Number of Emergency Operating	1 travel (Open to Close or Close to Open)
Charging Voltage	26.5V		Charging Current	110V 1.1A
Charging Time	NA006~019	3 min 30 sec		220V 0.45A
	NA028	2 min	110V 2.2A	
Weight	0.7kg		220V 1.1A	

⚠ Charge up a super capacitor before use. If the capacitor is not fully charged, emergency operating is not available.

STANDARD WIRING



DIMENSION

	NA006	NA009	NA015	NA019
A	6		6	
B	244		265	
C	174		184	
D	424		455	
E	120		139	
F	68		85	
G	188		224	
H	270		274	
H1	108		108	
I	5		5	
ØJ	170		170	
Base ISO5211	F07 Ø70 / 4-M8 DP12 MAX Ø22		F07 Ø70 / 4-M8 DP12 F10 Ø102 / 4-M10 DP15 MAX Ø22	
Cable Entries	2-PF3/4" (Option : M20xPitch1.5, NPT3/4")			

