

TTF300-W WirelessHART Field-mount temperature transmitter

Wireless temperature measurement

Measurement made easy



WirelessHART

Powered via standard lithium battery with long service life

Fast and easy commissioning

Intuitive and intelligent operating concept

Configuration directly on the display without external power supply

Approvals for explosion protection

- ATEX, IECEx
- cFMus

TTF300-W WirelessHART Field-mount temperature transmitter

Specifications

Electromagnetic compatibility

Interference immunity in accordance with IEC/EN 61326-1 (industrial environment, influence < 1%)

Vibration resistance in accordance with IEC 60068-2-6: 10 ... 60 Hz 0.21 mm / 60 ... 2000 Hz 3g

Humidity in accordance with IEC60068-2-30, 95%

With integrated adjustable omnidirectional antenna
Range: up to 300 m (328 yds)

Wireless refresh rate

- Standard 16 seconds
- Configurable between 4 seconds and 60 minutes

Transmission protocol: WirelessHART Version 7 (IEEE 802.15.4-2006)

Frequency band: 2.4 GHz (ISM-band, license-free)
Transmission power: max. 10 mW (10 dBm) EIRP

Minimum distance between antenna and persons:
0.2 m (8 inch)

User-defined configuration of network ID, join key via LCD display with button operation or via EDD or DTM.

Ambient temperature -40 ... 85 °C (-40 ... 185 °F)
optional -50 ... 85 °C (-58 ... 185 °F)
(restricted range during operation with LCD display or with explosion-proof design)

Electrical connections

- Spring cage terminals
- Connection leads up to max. 1.5 mm² (AWG 16)

Material

- Aluminum, epoxy-coated
- Stainless steel

Color

- Gray RAL 9002

IP rating

- IP66 / IP67

LCD display

In the connection head

For displaying measurement and status information

For on-site configuration

Automatic shutdown after 1 minute without activating the buttons (can be configured)

Manual reactivation via push buttons



Fig. 1: LCD display

Power supply

Battery

Standard lithium battery (lithium-content 5 g)

Service life of 5 years under the following reference conditions:

25 °C (77 °F) ambient temperature

Refresh rate 16 s

3 additional network participants

LCD off

Input - resistance thermometer / resistances

Resistance thermometer

- Pt100 according to IEC 60751, JIS C1604, MIL-T-24388
- Ni according to DIN 43760
- Cu according to recommendation OIML R 84

Resistance measurement

- 0 ... 500 Ω
- 0 ... 5000 Ω

Sensor connection type

- Two-, Three-, Four wire-circuits

Connection lead

- Maximum sensor line resistance:
of 50 Ω per line in accordance with NE 89
- Three-wire circuit:
Symmetrical sensor line resistances
- Two-wire circuit:
Compensation up to 100 Ω total lead resistance

Measurement current < 300 μ A

Sensor short circuit < 5 Ω (for resistance thermometers)

Sensor wire break

- Measuring range: 0 ... 500 Ω > 0.6 ... 10 k Ω
- Measuring range 0 ... 5 k Ω > 5.3 ... 10 k Ω

Corrosion detection in accordance with NE 89

- Three-wire resistance measurement > 50 Ω
- Four-wire resistance measurement > 50 Ω

Sensor error signaling

- Resistance thermometer - Sensor short circuit and sensor wire breakage
- Linear resistance measurement: Sensor wire break

Input - thermocouples / voltages

Types

- B, E, J, K, N, R, S, T in accordance with IEC 60584
- U, L in accordance with DIN 43710
- C, D in accordance with ASTM E-988

Voltages

- -125 ... 125 mV
- -125 ... 1100 mV

Connection lead

- Maximum sensor lead resistance
1.5 k Ω per lead, 3 k Ω in total

Sensor wire break monitoring in accordance with NE 89

- Pulsed with 1 μ A outside measurement interval
- Thermocouple measurement 5.3 ... 10 k Ω
- Voltage measurement 5.3 ... 10 k Ω

Input resistance > 10 M Ω

Internal reference junction Pt1000, IEC 60751 Cl. B

Sensor error signaling

- Thermocouple: wire break
- Linear voltage measurement: wire break

Functionality input

Free style characteristic curve / 32-point -sampling point table

- Resistance measurement up to max. 5 k Ω
- Voltages up to max. 1.1 V

Sensor error adjustment

- Via Callendar-Van Dusen coefficients
- Via value table of 32 reference points
- Via single-point adjustment (offset adjustment)
- Via two-point adjustment

Input functionality

- 1 sensor
- 2 sensors:
 - mean measurement,
 - differential measurement,
 - sensor redundancy,
 - Sensor drift monitoring

TTF300-W WirelessHART

Field-mount temperature transmitter

Measuring accuracy

Includes linearity error, repeatability / hysteresis at 23 °C (73.4 °F) ± 5 K ambient temperature.

Information on measuring accuracy corresponds to 3 σ (Gaussian distribution).

Sensor		Measuring range limits	Minimum span	Digital measuring accuracy (24-bit A/D converter)
Resistance thermometer / resistor				
DIN IEC 60751	Pt10 (a=0.003850)	-200 ... 850 °C	10 °C (18 °F)	± 0.80 °C (± 1.44 °F)
	Pt50 (a=0.003850)	(-328 ... 1562 °F)		± 0.16 °C (± 0.29 °F)
	Pt100 (a=0.003850) ²⁾			± 0.08 °C (± 0.14 °F)
	Pt200 (a=0.003850)			± 0.24 °C (± 0.43 °F)
	Pt500 (a=0.003850)			± 0.16 °C (± 0.29 °F)
	Pt1000 (a=0.003850)			± 0.08 °C (± 0.14 °F)
JIS C1604-89	Pt10 (a=0.003916)	-200 ... 645 °C	10 °C (18 °F)	± 0.80 °C (± 1.44 °F)
	Pt50 (a=0.003916)			± 0.16 °C (± 0.29 °F)
	Pt100 (a=0.003916)			± 0.08 °C (± 0.14 °F)
MIL-T-24388	Pt10 (a=0.003920)	-200 ... 850 °C	10 °C (18 °F)	± 0.80 °C (± 1.44 °F)
	Pt50 (a=0.003920)			± 0.16 °C (± 0.29 °F)
	Pt100 (a=0.003920)			± 0.08 °C (± 0.14 °F)
	Pt200 (a=0.003920)			± 0.24 °C (± 0.43 °F)
	Pt1000 (a=0.003920)			± 0.08 °C (± 0.14 °F)
DIN 43760	Ni50 (a=0.006180)	-60 ... 250 °C	10 °C (18 °F)	± 0.16 °C (± 0.29 °F)
	Ni100 (a=0.006180)			± 0.08 °C (± 0.14 °F)
	Ni120 (a=0.006180)			
	Ni1000 (a=0.006180)			
	Cu10 (a=0.004270)	-50 ... 200 °C	10 °C (18 °F)	± 0.80 °C (± 1.44 °F)
	Cu100 (a=0.004270)			± 0.08 °C (± 0.14 °F)
	Resistance measurement	0 ... 500 Ω	4 Ω	± 32 m Ω
		0 ... 5000 Ω	40 Ω	± 320 m Ω
Thermocouples ³⁾ / voltages				
IEC 60584	Type K (Ni10Cr-Ni5)	-270 ... 1372 °C (-454 ... 2502 °F)	50 °C (90 °F)	± 0.35 °C (± 0.63 °F)
	Type J (Fe-Cu45Ni)	-210 ... 1200 °C (-346 ... 2192 °F)		
	Type N (Ni14CrSi-NiSi)	-270 ... 1300 °C (-454 ... 2372 °F)		
	Type T (Cu-Cu45Ni)	-270 ... 400 °C (-454 ... 752 °F)		
	Type E (Ni10Cr-Cu45Ni)	-270 ... 1000 °C (-454 ... 1832 °F)		
	Type R (Pt13Rh-Pt)	-50 ... 1768 °C (-58 ... 3215 °F)	100 °C (180 °F)	± 0.95 °C (± 1.71 °F)
	Type S (Pt10Rh-Pt)			
	Type B (Pt30Rh-Pt6Rh)	-0 ... 1820 °C (32 ... 3308 °F)		
DIN 43710	Type L (Fe-CuNi)	-200 ... 900 °C (-328 ... 1652 °F)	50 °C (90 °F)	± 0.35 °C (± 0.63 °F)
	Type U (Cu-CuNi)	-200 ... 600 °C (-328 ... 1112 °F)		
ASTM E 988	Type C	-0 ... 2315 °C (32 ... 4200 °F)	100 °C (180 °F)	± 1.35 °C (± 2.43 °F)
	Type D			
	Voltage measurement	-125 ... 125 mV	2 mV	± 12 μ V
		-125 ... 1100 mV	20 mV	± 120 μ V

Long-term drift: ± 0.05 °C (± 0.09 °F) or ± 0.05 %¹⁾ per year; the larger value applies.

1) Percentages refer to the configured measuring span

2) Standard model

3) For digital measurement accuracy, the internal reference junction error must be added: Pt1000, DIN IEC 60751 Cl. B

Operating influence

The percentages refer to the configured measuring span.

Ambient temperature effect: based on 23 °C (73.4 °F) for an ambient temperature range of -40 ... 85 °C (-40 ... 185 °F)²⁾

Sensor		Ambient temperature effect per 1 °C (1.8 °F) deviation from 23 °C (73.4 °F) related to digital measurement value
Resistance thermometer for two-, three- and four-wire circuits		
IEC, JIS, MIL	Pt10	± 0.04 °C (± 0.072 °F)
	Pt50	± 0.008 °C (± 0.014 °F)
	Pt100	± 0.004 °C (± 0.007 °F)
IEC, MIL	Pt200	± 0.02 °C (± 0.036 °F)
	Pt500	± 0.008 °C (± 0.014 °F)
	Pt1000	± 0.004 °C (± 0.007 °F)
DIN 43760	Ni50	± 0.008 °C (± 0.014 °F)
	Ni100	± 0.004 °C (± 0.007 °F)
	Ni120	± 0.003 °C (± 0.005 °F)
	Ni1000	± 0.004 °C (± 0.007 °F)
	Cu10	± 0.04 °C (± 0.072 °F)
	Cu100	± 0.004 °C (± 0.007 °F)
Resistance measurement		
	0 ... 500 Ω	± 0.002 Ω
	0 ... 5000 Ω	± 0.02 Ω
Thermocouple, for all defined types		± [(0.001 % x (ME[mV] / MS[mv]) + (100 % x (0.009 °C / MS [°C]))] ¹⁾
Voltage measurement		
	-125 ... 125 mV	± 1.5 μV
	-125 ... 1100 mV	± 15 μV

1) ME = voltage value of the thermocouple at the end of the measuring range in accordance with the standard.

MA = voltage value of the thermocouple at the start of the measuring range in accordance with the standard

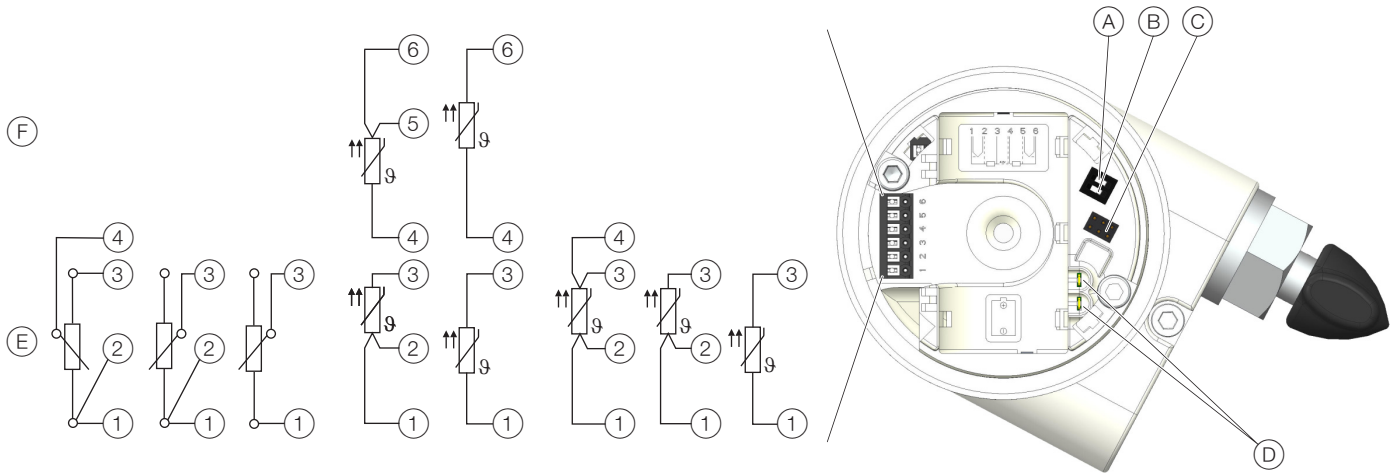
MS = voltage value of the thermocouple over the measuring span in accordance with the standard. MS = (ME - MA)

2) If the optionally extended ambient temperature range down to -50 °C (-58 °F) applies, the causal variables are doubled in the range between -50 ... -40 °C (-58 ... -40 °F).

TTF300-W WirelessHART Field-mount temperature transmitter

Electrical connections

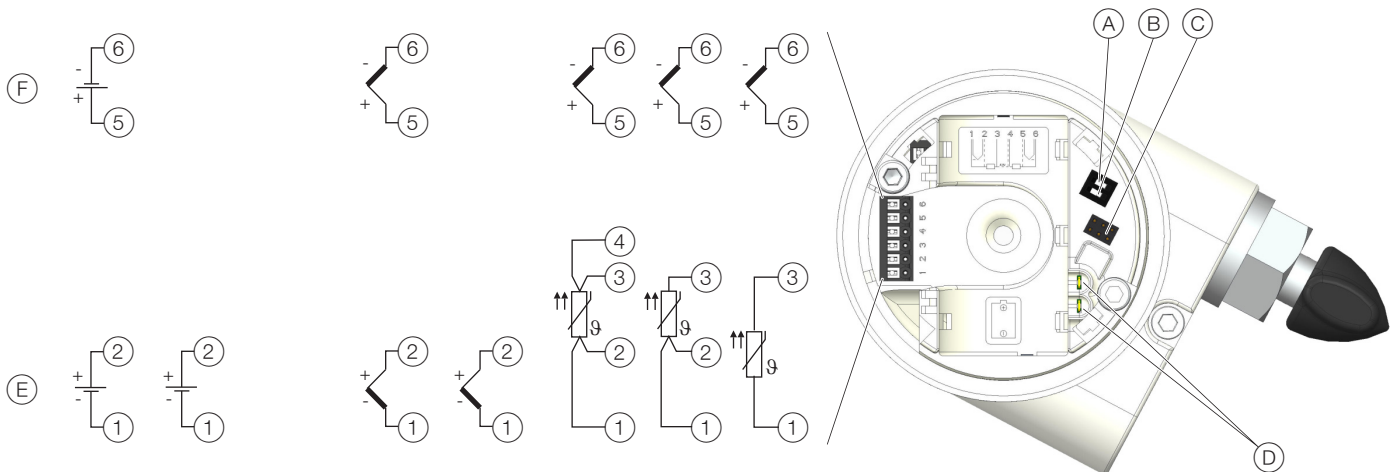
Resistance thermometers (RTD) / resistors (potentiometers)



A10244

Fig. 2
 ① - ⑥ Sensor connection (from measuring inset) ① A DIP switch, hardware write protection ② B DIP switch, standby mode
 ③ C LCD display connection ④ D HART maintenance port (hand-held terminal) ⑤ E Sensor 1 ⑥ F Sensor 2

Thermocouples / voltages and resistance thermometer (RTD) / thermocouple combinations



A10245

Fig. 3
 ① - ⑥ Sensor connection (from measuring inset) ① A DIP switch, hardware write protection ② B DIP switch, standby mode ③ C LCD display
 connection ④ D HART maintenance port (hand-held terminal) ⑤ E Sensor 1 ⑥ F Sensor 2

Communication

Configuration parameters

- Sensor type, connection type
- Error signaling
- Measuring range
- General data, e.g. TAG number
- Damping
- Warning and alarm limits
- Output signal simulation
- Burst rate
- Burst commands
- Network ID
- Join key
- Software write protection

Diagnostic information in accordance with NE 107

Standard:

- Sensor error signaling
(wire break or short circuit)
- Device error
- Over / under alarm limits
- Over / under measuring range
- Simulation active

Advanced:

- Sensor redundancy / sensor backup active
(sensor failure)
- Drift monitoring
- Sensor / sensor lead corrosion
- Drag indicator for sensor 1, sensor 2 and ambient temperature
- Over ambient temperature
- Under ambient temperature
- Operating hours counter
- Radio interface error
- Join status
- Battery status

WirelessHART

The device is listed with the FieldComm Group.

Manufacturer ID	0x1A
Device ID	0x9B
Profile	HART 7.5
Network ID	0xABB (2747 dec.)
Join key	0x57495245 0x4c455353 0x4649454c 0x444b4559
Configuration	On device using LCD indicator DTM EDD

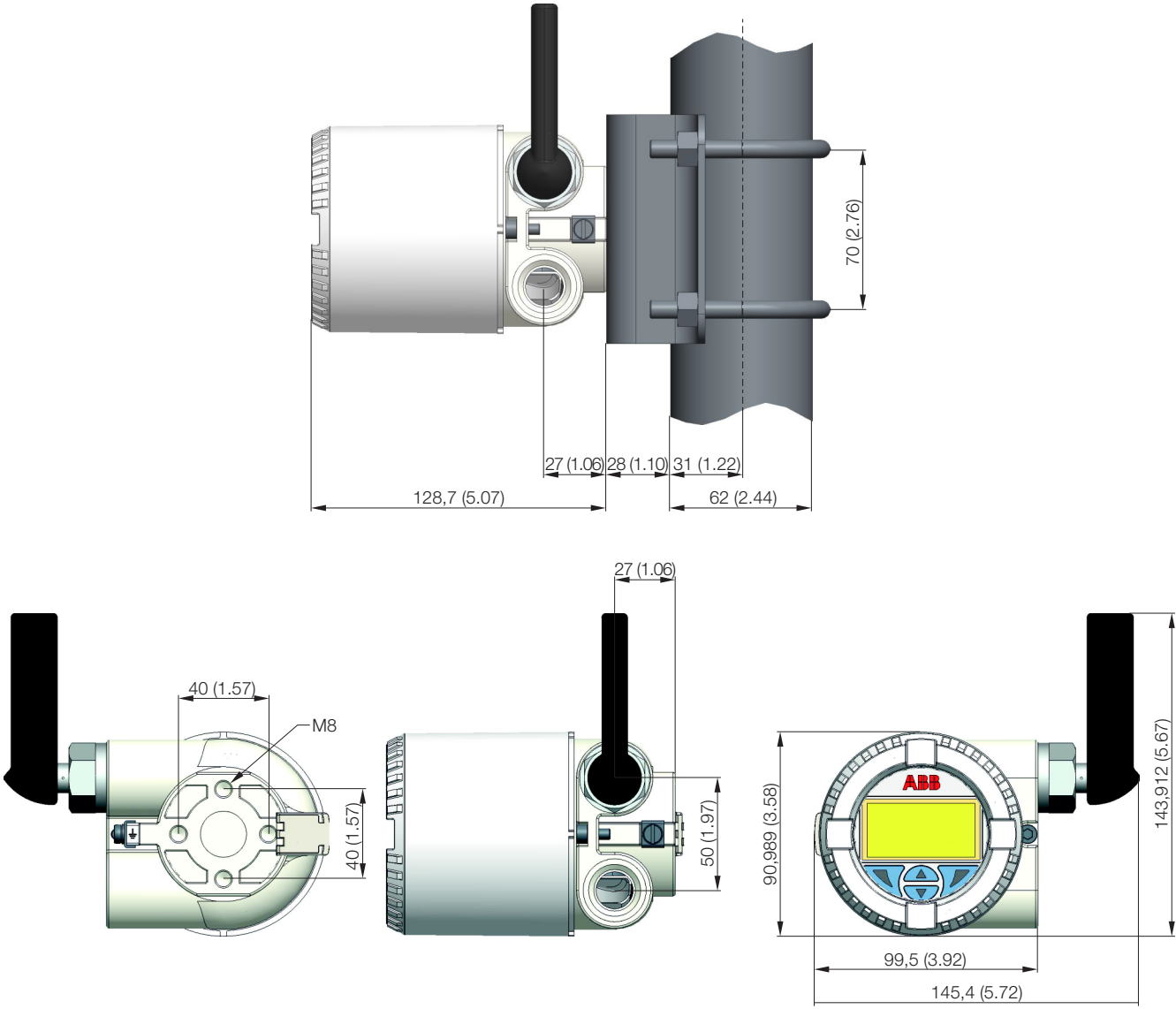
0x = hexadecimal

NOTE

For security reasons it is strongly recommended, to change network ID and join key during commissioning.

TTF300-W WirelessHART Field-mount temperature transmitter

Dimensions



A11068

Fig. 4

Radio approvals

Telecommunications directive

Every wireless measuring device must be certified in accordance with the telecommunications directive, in this case the frequency range. This certification is country-specific.

European directives

Radio Equipment Directive 2014/53/EU

Within Europe, use of the 2400 - 2483.5 MHz frequency band is not harmonized. Country-specific regulations must therefore be observed.

Restrictions for Norway

Operation not permitted within a radius of 20 km around Ny-Alesund in Svalbard. For more information, see www.npt.no Norway Posts and Telecommunications site

USA / Canadian directives

FCC Part 15.247:2009 (USA)

IC RSS-210 and ICES-003 (Canada)

TTF300-W WirelessHART

Field-mount temperature transmitter

Use in potentially explosive atmospheres according to ATEX and IECEx

"Extended ambient temperature range (order option SE)" design in potentially explosive atmospheres

i NOTICE

- Further information on the approval of devices for use in potentially explosive atmospheres can be found in the explosion protection test certificates (at www.abb.com/temperature).
- Depending on the design, a specific marking in accordance with ATEX or IECEx applies.

Ex-marking Transmitter

Model TTF300-W-A6..., TTF300-W-H6...

(Transmitter in zone 0, 1 or 2)

ATEX	IECEx
II 1 G Ex ia IIC T4...T1 Ga	Ex ia IIC T4...T1 Ga
Certificate no.: PTB 14 ATEX 2010X	Certificate no.: In preparation

- The transmitter and the connected temperature sensor may be used fully in zone 0, zone 1 or zone 2.
- The temperature range corresponds to the information in chapter "Temperature data" on page 10.

The device is supplied with or without an LCD indicator (order option "Housing / Indicators").

The LCD indicator has been awarded the following certificates:

ATEX	IECEx
Certificate no.: PTB 05 ATEX 2079X	Certificate no.: IECEx PTB 12.0028X

Temperature data

Standard design in potentially explosive atmospheres

Ambient temperature range T_{amb}

Zone 1	-40 ... +70 °C (-40 ... +158 °F)
Zone 0 (with consideration of EN1127-1)	T4: -40 ... +43 °C (-40 ... +110 °F) T1 ... T3: -40 ... +70 °C (-40 ... +158 °F)

Ambient temperature range T_{amb}

Zone 1	-50 ... +70 °C (-58 ... +158 °F)
Zone 0 (with consideration of EN1127-1)	T4: -50 ... +43 °C (-58 ... +110 °F) T1 ... T3: -50 ... +70 °C (-58 ... +158 °F)

Electrical data

Sensor inputs

	Resistance thermometers, resistors	Thermocouples, voltages
Maximum voltage	$U_{oWi} = 5.4 \text{ V}$	$U_o = 1.2 \text{ V}$
Short-circuit current	$I_o = 25 \text{ mA}$	$I_o = 50 \text{ mA}$
Maximum power	$P_o = 34 \text{ mW}$	$P_o = 60 \text{ mW}$
Internal inductance	$L_i = 0 \text{ mH}$	$L_i = 0 \text{ mH}$
Internal capacitance	$C_i = 49 \text{ nF}$	$C_i = 49 \text{ nF}$
Maximum external inductance IIC	$L_o = 5 \text{ mH}$	$L_o = 5 \text{ mH}$
Maximum external capacitance IIC	$C_o = 2.25 \text{ }\mu\text{F}$	$C_o = 1.45 \text{ }\mu\text{F}$

HART maintenance port

	HART maintenance port on TTF300-W	Maximum external connection values
Maximum voltage	$U_o = 5.4 \text{ V}$	$U_i = 2.6 \text{ V}$
Short-circuit current	$I_o = 25 \text{ mA}$	$I_i = 25 \text{ mA}$
Maximum power	$P_o = 34 \text{ mW}$	–
Inductance	$L_i = 0 \text{ mH}$	$L_o = 1 \text{ mH (IIC)}$
Capacitance	$C_i = 1.2 \text{ }\mu\text{F}$	$C_o = 0.4 \text{ }\mu\text{F (IIC)}$

Use in potentially explosive atmospheres in accordance with cFMus

i NOTICE

- Further information on the approval of devices for use in potentially explosive atmospheres can be found in the explosion protection test certificates (at www.abb.com/temperature).
 - Depending on the design, a specific marking in accordance with cFMus applies.
-

Ex-marking Transmitter **FM USA Intrinsically Safe**

Model TTF300-W-L9

Control Drawing	3KXT221300B0001
-----------------	-----------------

Class I, Div. 1, Groups A, B, C, D T4

Class I, Zone 0, AEx ia IIC T4

FM Canada Intrinsically Safe

Model TTF300-W-R9

Control Drawing	3KXT221300B0001
-----------------	-----------------

Class I, Div. 1, Groups A, B, C, D T4

Class I, Zone 0, Ex ia IIC T4

TTF300-W WirelessHART

Field-mount temperature transmitter

Ordering Information

Ordering information TTF300-W

Base model	TTF300-W	XX	X	X	X	XX
TTF300-W Field Mounted Temperature Transmitter, WirelessHART						
Explosion Protection						
Without explosion protection		Y0				
ATEX Intrinsic Safety type of protection: Zone 0: II 1 G Ex ia IIC T6, Zone 1 (0): II 2 (1) G Ex [ia] ib IIC T6, Zone 1 (20): II 2 G (1D) Ex [iaD] ib IIC T6		A6				
IECEX Intrinsic Safety type of protection: Zone 0: Ex ia IIC T6, Zone 1 (0): Ex [ia] ib IIC T6, Zone 1 (20): Ex [iaD] ib IIC T6		H6				
FM US Intrinsic Safety type of protection: Class I, DIV 1, Groups A, B, C, D, Class I, Zone 0, AEx ia IIC T4		L9				
FM CA Intrinsic Safety type of protection: Class I, DIV 1, Groups A, B, C, D, Class I, Zone 0, Ex ia IIC T4		R9				
Housing / Display						
Single-compartment housing (aluminium) / Without display			A			
Single-compartment housing (stainless steel) / Without display			B			
Single-compartment housing (aluminium) / With LCD-display HMI			C			
Single-compartment housing (stainless steel) / With LCD-display HMI			D			
Cable Entry						
Thread 1 x M20 x 1.5				5		
Thread 1 x 1/2 in. NPT				6		
Thread 1 x 3/4 in. NPT, via 1/2 in > 3/4 adapter, only available with Housing (aluminium)				7		
Cable gland 1 x M20 x 1.5 (limited temperature range)				8		
Communication Protocol						
WirelessHART					W	
Configuration						
Standard configuration						BS
Customer-specific configuration, except user curve					1)	BF
Customer-specific configuration, including user curve						BG

Additional ordering information TTF300-W

	XX	XX	XXX	XX	XX	XX	XX	XX	XX
Certificates									
Declaration of compliance with the order 2.1 acc. EN 10204	C4								
Inspection certificate 3.1 acc. EN 10204 of visual, dimensional and functional test	C6								
Calibration Certificates									
With 5-point factory certificate		EM							
Inspection certificate 3.1 acc. EN 10204 of 5-point calibration		EP							
Handling of Certificates									
Send via e-mail			GHE						
Send via mail			GHP						
Send via mail express			GHD						
Send with instrument			GHA						
Only archived			GHS						
Mounting Bracket									
Wall mounting / 2 in. pipe mounting bracket (stainless steel)						K2			
Extended Ambient Temperature Range									
-50 ... 85 °C (-58 ... 185 °F)							SE		
Device Identification Plate									
Stainless steel								T0	
Additional Tag Plate									
Stainless steel									I1
Customer-specific Versions									
(Please specify)									Z9
Documentation Language									
German									M1
English									M5
Language package Western Europe / Scandinavia (Languages: DA, ES, FR, IT, NL, PT, FI, SV)									MW
Language package Eastern Europe (Languages: EL, CS, ET, LV, LT, HU, HR, PL, SK, SL, RO, BG)									ME

1) E.g. set measuring range, TAG no.

Accessories	Catalog No.
Lithium battery	3KXT000029U0000
TTF300-W commissioning instruction, German	3KXT221300R4403
TTF300-W commissioning instruction, English	3KXT221300R4401
TTF300-W commissioning instruction, Language package Western Europe / Scandinavia	3KXT221300R4493
TTF300-W commissioning instruction, Language package Eastern Europe	3KXT221300R4494
TTF300-W documentation CD-ROM	3KXT221300R0800

TTF300-W WirelessHART

Field-mount temperature transmitter

Order form configuration

WirelessHART: Data relating to customer-specific configuration

Configuration		Selection
Number of sensors		<input type="checkbox"/> 1 sensor (standard) <input type="checkbox"/> 2 sensors
Measurement type (for 2-sensor selection only)		<input type="checkbox"/> Sensor redundancy / sensor backup <input type="checkbox"/> Sensor drift monitoring ____ °C / K sensor drift difference ____s time limit for drift overshoot <input type="checkbox"/> Difference measurement <input type="checkbox"/> Average measurement
IEC 60751 JIS C1604-89 MIL-T-24388 DIN 43760 Cu	Resistance thermometer	<input type="checkbox"/> Pt10 <input type="checkbox"/> Pt50 <input type="checkbox"/> Pt100 (Standard) <input type="checkbox"/> Pt200 <input type="checkbox"/> Pt500 <input type="checkbox"/> Pt1000 <input type="checkbox"/> Pt10 <input type="checkbox"/> Pt50 <input type="checkbox"/> Pt100 <input type="checkbox"/> Pt10 <input type="checkbox"/> Pt50 <input type="checkbox"/> Pt100 <input type="checkbox"/> Pt200 <input type="checkbox"/> Pt1000 <input type="checkbox"/> Ni50 <input type="checkbox"/> Ni100 <input type="checkbox"/> Ni120 <input type="checkbox"/> Ni1000 <input type="checkbox"/> Cu10 <input type="checkbox"/> Cu100
		Resistance measurement <input type="checkbox"/> 0 ... 500 Ω <input type="checkbox"/> 0 ... 5000
IEC 60584 DIN 43710 ASTM E-988	Thermocouple	<input type="checkbox"/> Type K <input type="checkbox"/> Type J <input type="checkbox"/> Type N <input type="checkbox"/> Type R <input type="checkbox"/> Type S <input type="checkbox"/> Type T <input type="checkbox"/> Type E <input type="checkbox"/> Type B <input type="checkbox"/> Type L <input type="checkbox"/> Type U <input type="checkbox"/> Type C <input type="checkbox"/> Type D
		Voltage measurement <input type="checkbox"/> -125 ... 125 mV <input type="checkbox"/> -125 ... 1100 mV
Sensor connection type (for resistance thermometer and resistance measurement only)		<input type="checkbox"/> Two-wire <input type="checkbox"/> Three-wire (standard) <input type="checkbox"/> Four-wire Two-wire circuit: Compensation of sensor-lead resistance max. 100 Ω <input type="checkbox"/> Sensor 1: ____ Ω <input type="checkbox"/> Sensor 2: ____ Ω
Reference junction (for thermocouples only)		<input type="checkbox"/> Internal (for standard thermocouple, except type B) <input type="checkbox"/> None (type B) <input type="checkbox"/> External / temperature: ____ °C
Unit		<input type="checkbox"/> Celsius (default) <input type="checkbox"/> Fahrenheit <input type="checkbox"/> Rankine <input type="checkbox"/> Kelvin
Sensor number		<input type="checkbox"/> Sensor 1: _____ <input type="checkbox"/> Sensor 2: _____
Resistance value at 0 °C / R ₀ Callendar-Van Dusen coefficient A Callendar-Van Dusen coefficient B Callendar-Van Dusen coefficient C (optional, for resistance thermometers only)		Sensor 1: R ₀ : _____ Sensor 2: R ₀ : _____ A: _____ A: _____ B: _____ B: _____ C: _____ C: _____
User characteristics based on linearization table		<input type="checkbox"/> Based on attached table of value pairs
Software write protection		<input type="checkbox"/> Off (standard) <input type="checkbox"/> On
TAG number		<input type="checkbox"/> _____
Long TAG number		<input type="checkbox"/> _____
Network ID		<input type="checkbox"/> Hexadecimal value ABB standard or _____
Join key		<input type="checkbox"/> Hexadecimal value ABB standard or _____ <input type="checkbox"/> Hexadecimal value ABB standard or _____ <input type="checkbox"/> Hexadecimal value ABB standard or _____ <input type="checkbox"/> Hexadecimal value ABB standard or _____

Trademarks

® WirelessHART is a registered trademark of FieldComm Group, Austin, Texas, USA

Notes

Contact us

ABB Limited

Process Automation

Howard Road, St. Neots
Cambridgeshire, PE19 8EU
UK

Tel: +44 (0)870 600 6122

Fax: +44 (0)1480 213 339

Mail: enquiries.mp.uk@gb.abb.com

ABB Inc.

Process Automation

125 E. County Line Road
Warminster, PA 18974
USA

Tel: +1 215 674 6000

Fax: +1 215 674 7183

ABB Automation Products GmbH

Process Automation

Schillerstr. 72
32425 Minden
Germany

Tel: +49 571 830-0

Fax: +49 571 830-1806

www.abb.com/temperature

Note

We reserve the right to make technical changes or modify the contents of this document without prior notice.

With regard to purchase orders, the agreed particulars shall prevail. ABB does not accept any responsibility whatsoever for potential errors or possible lack of information in this document.

We reserve all rights in this document and in the subject matter and illustrations contained therein. Any reproduction, disclosure to third parties or utilization of its contents – in whole or in parts – is forbidden without prior written consent of ABB.

Copyright© 2016 ABB

All rights reserved

3KXT221300R1001



Sales



Service